

**"CLASS B" TENSION LAP SPLICE SCHEDULE**

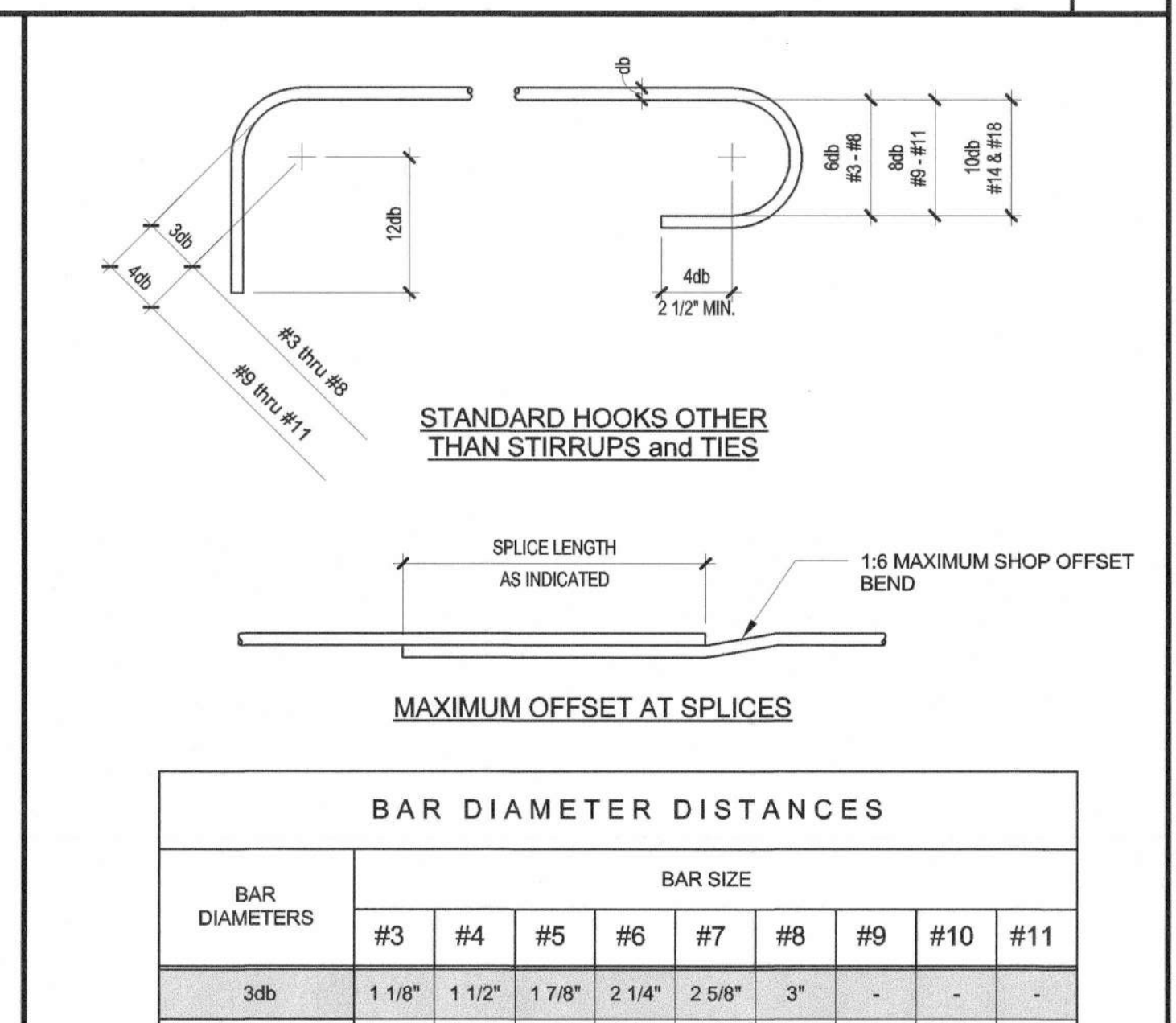
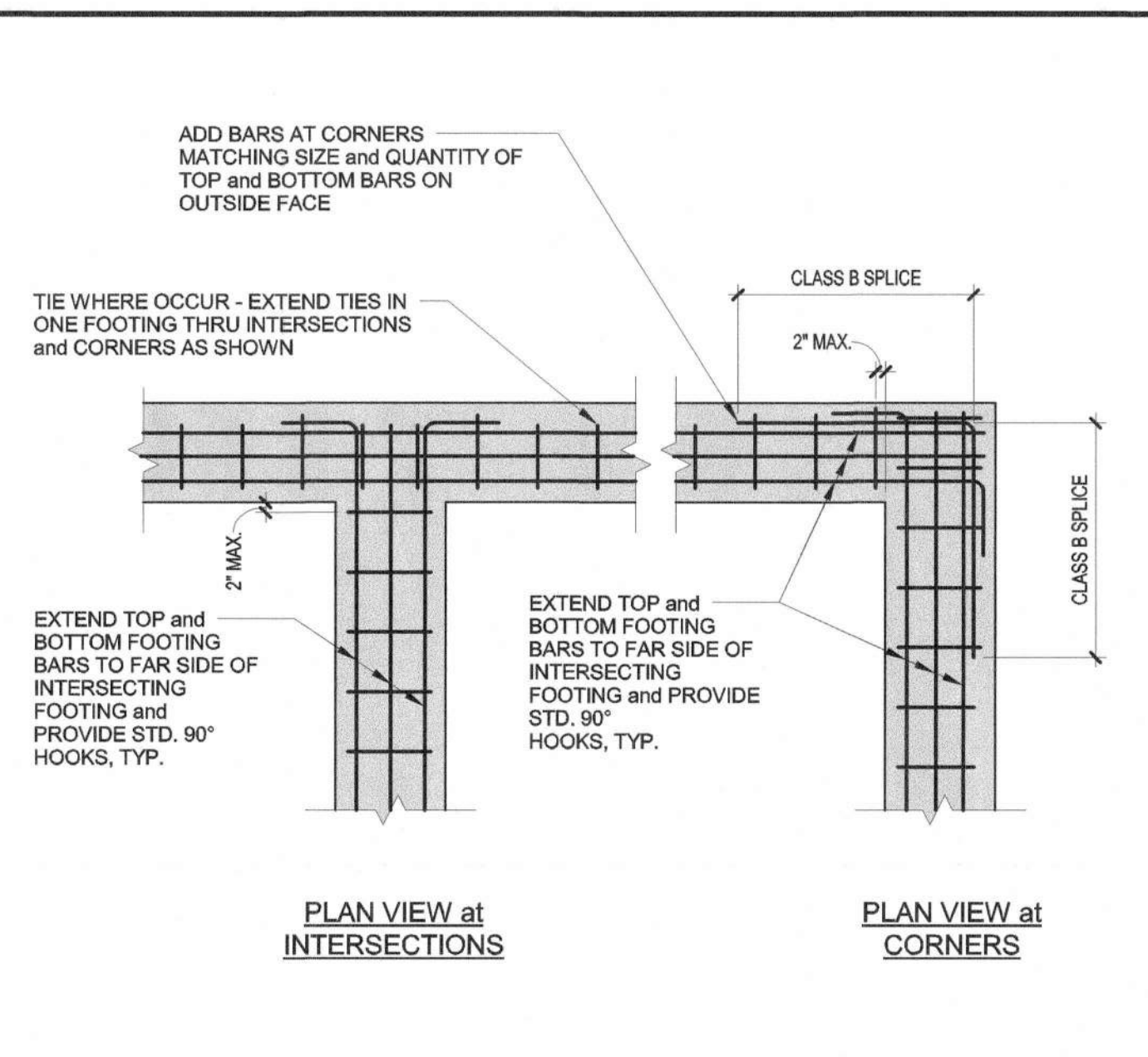
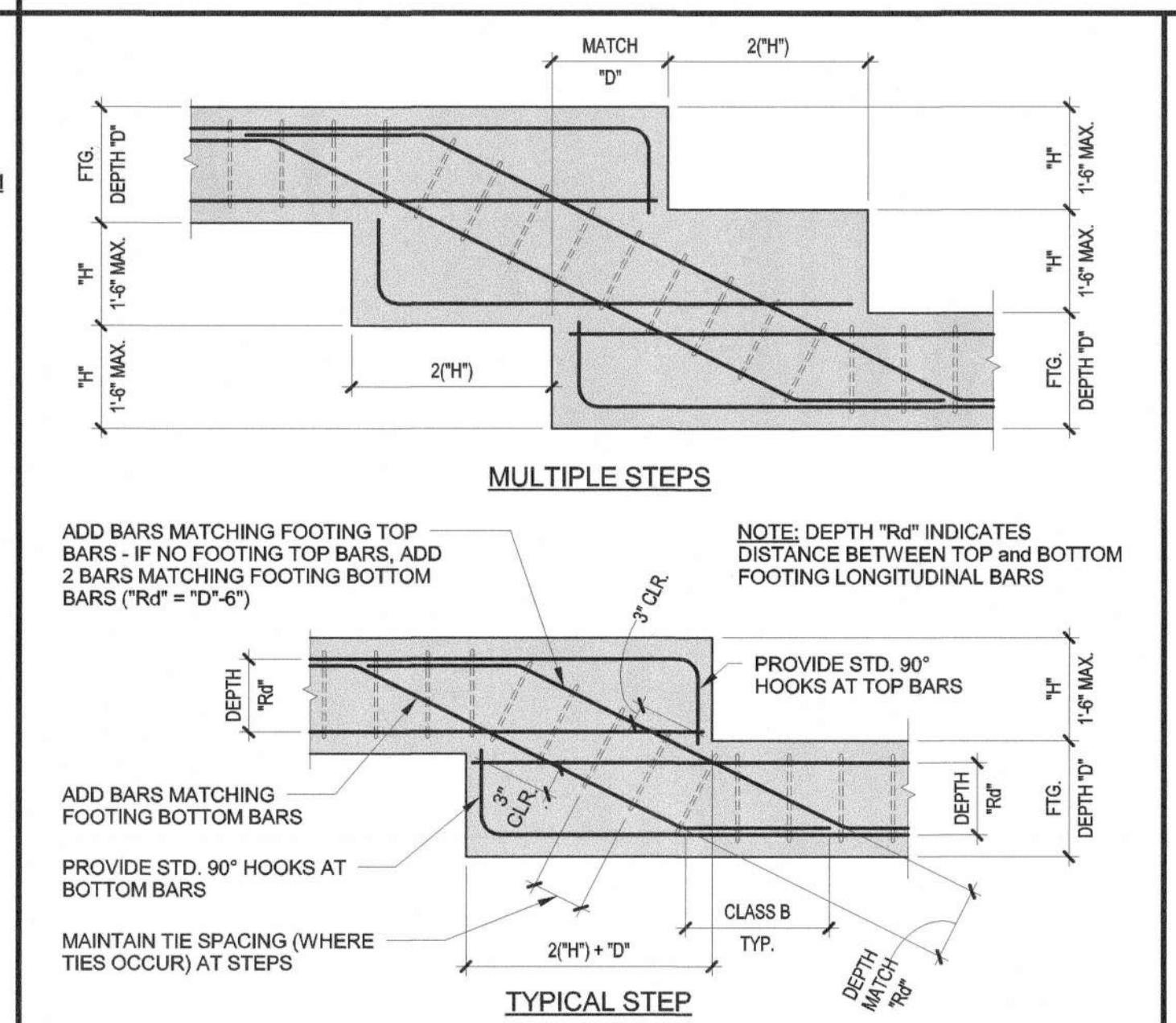
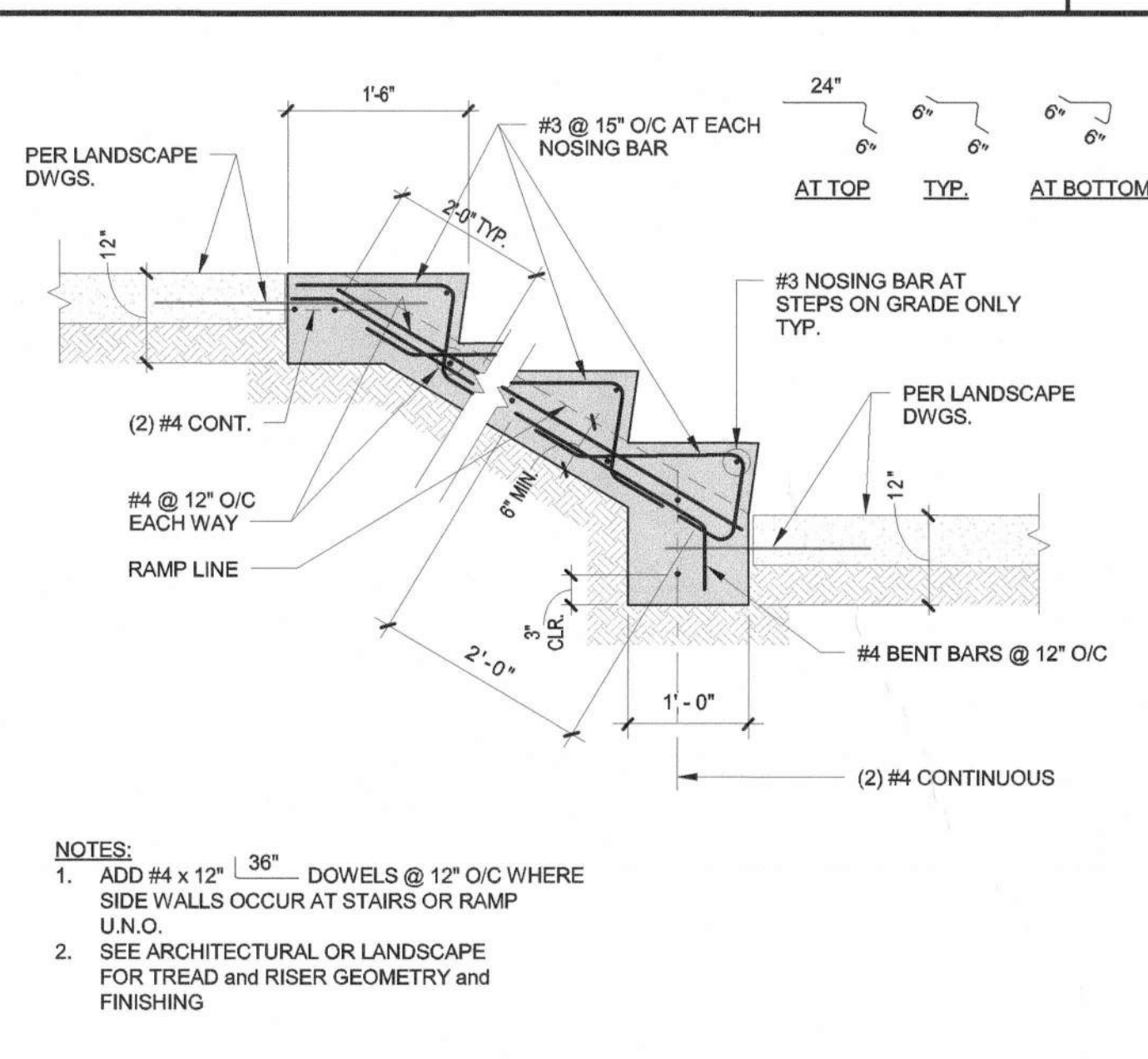
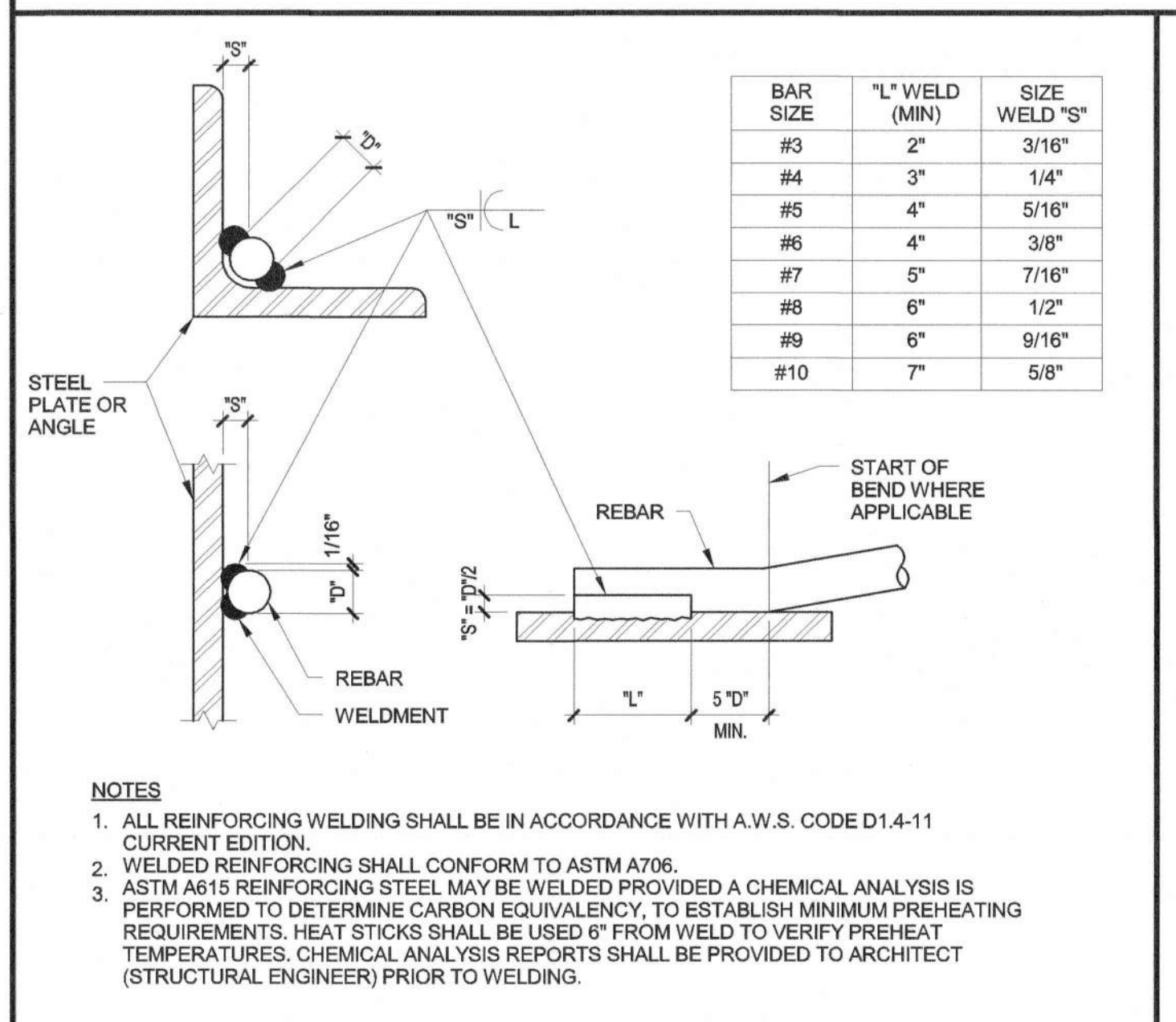
CATEGORY	NORMAL CONCRETE FC (PSI)	SPLICE OR DEVELOPMENT LENGTH (INCHES)																	
		#3		#4		#5		#6		#7		#8		#9		#10		#11	
		T	B	T	B	T	B	T	B	T	B	T	B	T	B	T	B	T	B
I	3000	28	22	38	29	47	36	56	43	81	63	93	72	105	81	118	91	131	101
	4000	25	19	33	25	41	31	49	37	71	54	81	62	91	70	102	79	114	87
II	3000	42	33	56	43	70	54	84	65	122	94	139	107	157	121	177	136	196	151
	4000	37	28	49	37	61	47	73	56	106	81	121	93	136	105	153	118	170	131

**DEVELOPMENT "Ld" SCHEDULE**

CATEGORY	NORMAL CONCRETE FC (PSI)	DEVELOPMENT LENGTH (INCHES)																	
		#3		#4		#5		#6		#7		#8		#9		#10		#11	
		T	B	T	B	T	B	T	B	T	B	T	B	T	B	T	B	T	B
I	3000	22	17	29	22	36	28	43	33	63	48	72	55	81	62	91	70	101	78
	4000	19	15	25	19	31	24	37	29	54	42	62	48	70	54	79	61	87	67
II	3000	33	25	43	33	54	42	65	50	94	72	105	83	121	93	136	105	151	116
	4000	28	22	37	29	47	36	56	43	81	63	93	72	105	81	118	91	131	101

TYPICAL SECTIONS AT CHANGE IN SLAB ON GRADE ELEVATION (6'-0" MAXIMUM) 9

TYPICAL REBAR TENSION SPLICE and BAR DEVELOPMENT SCHEDULE (IN CONCRETE) 3



TYPICAL REBAR WELDING 12

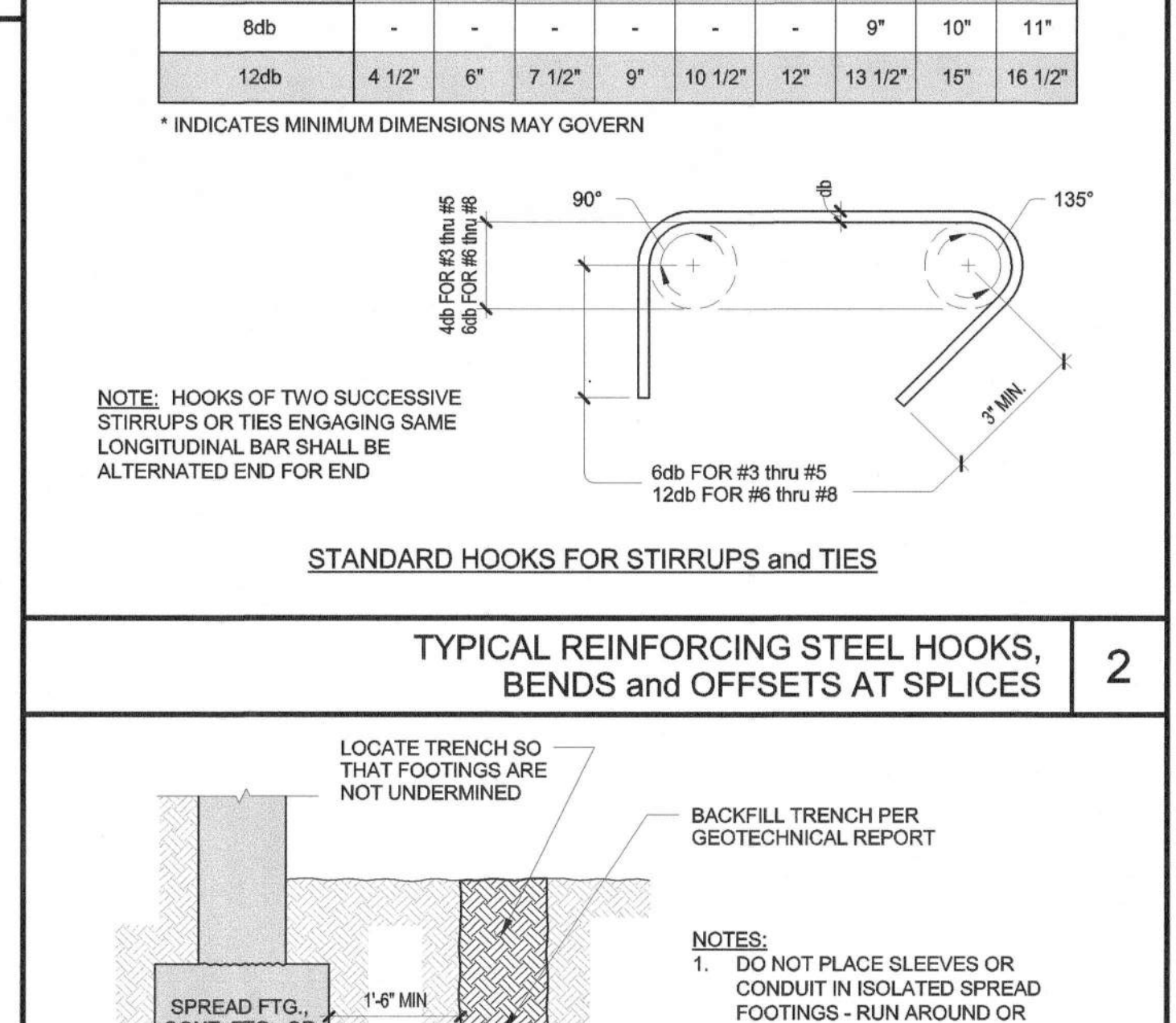
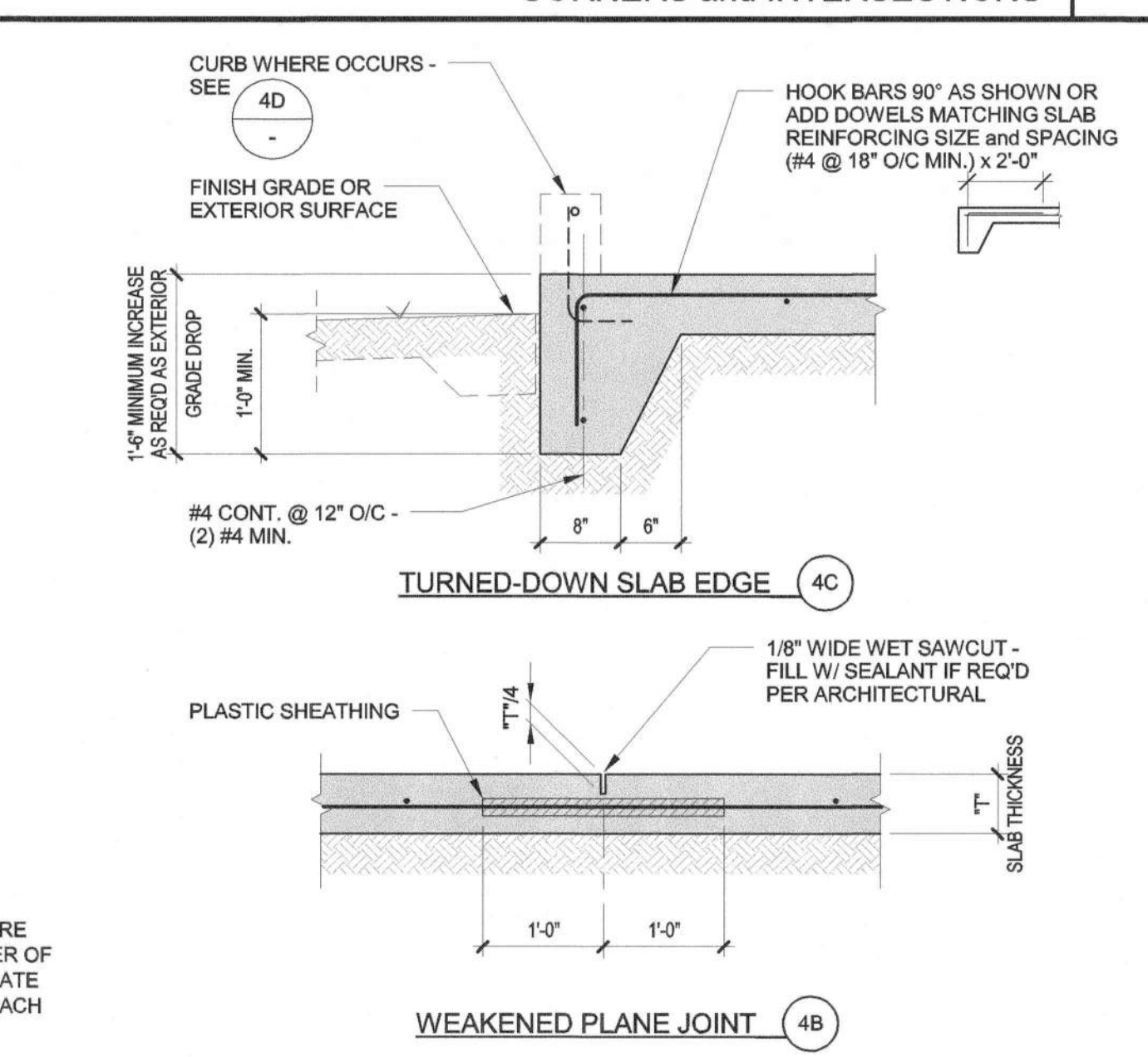
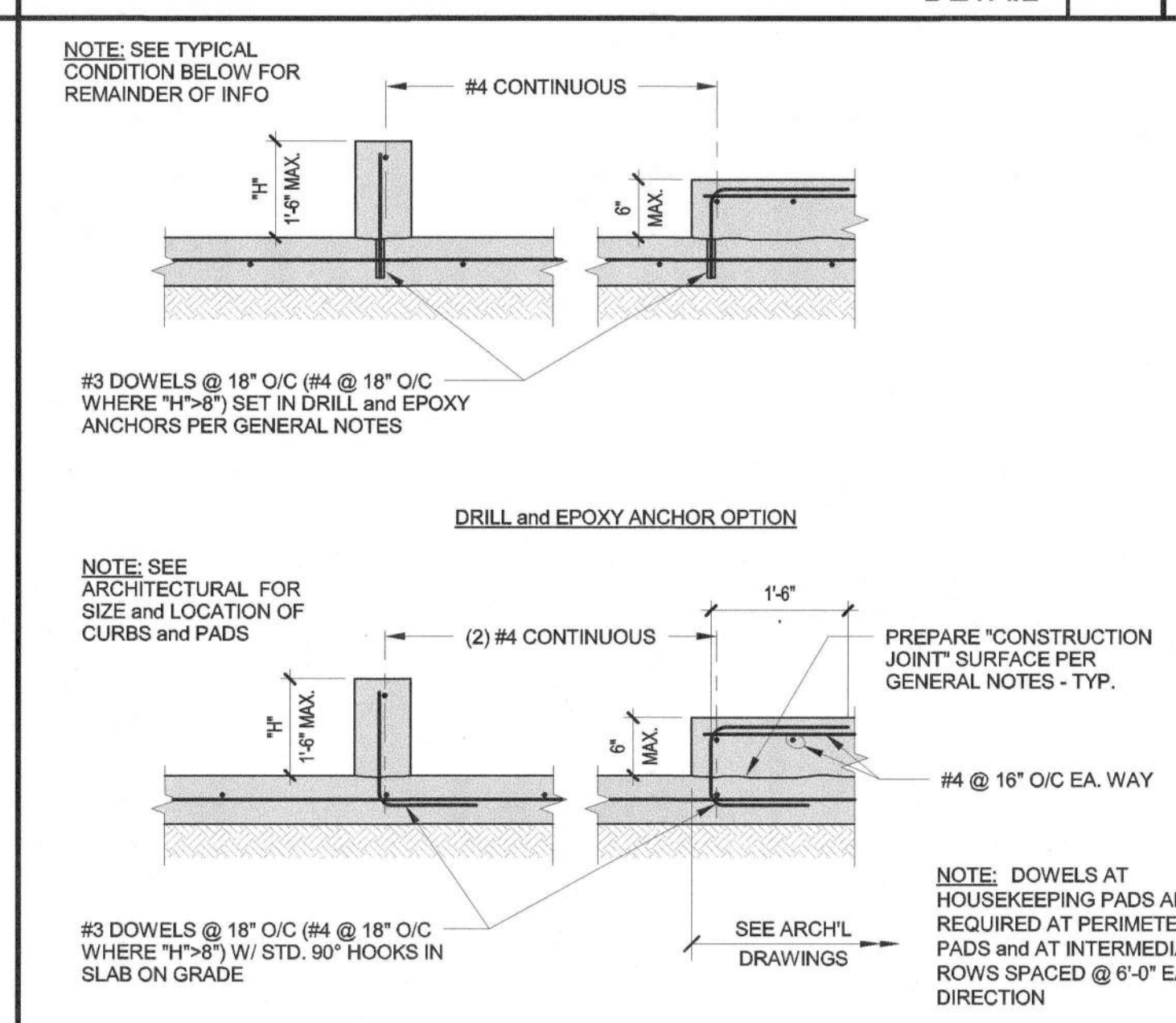
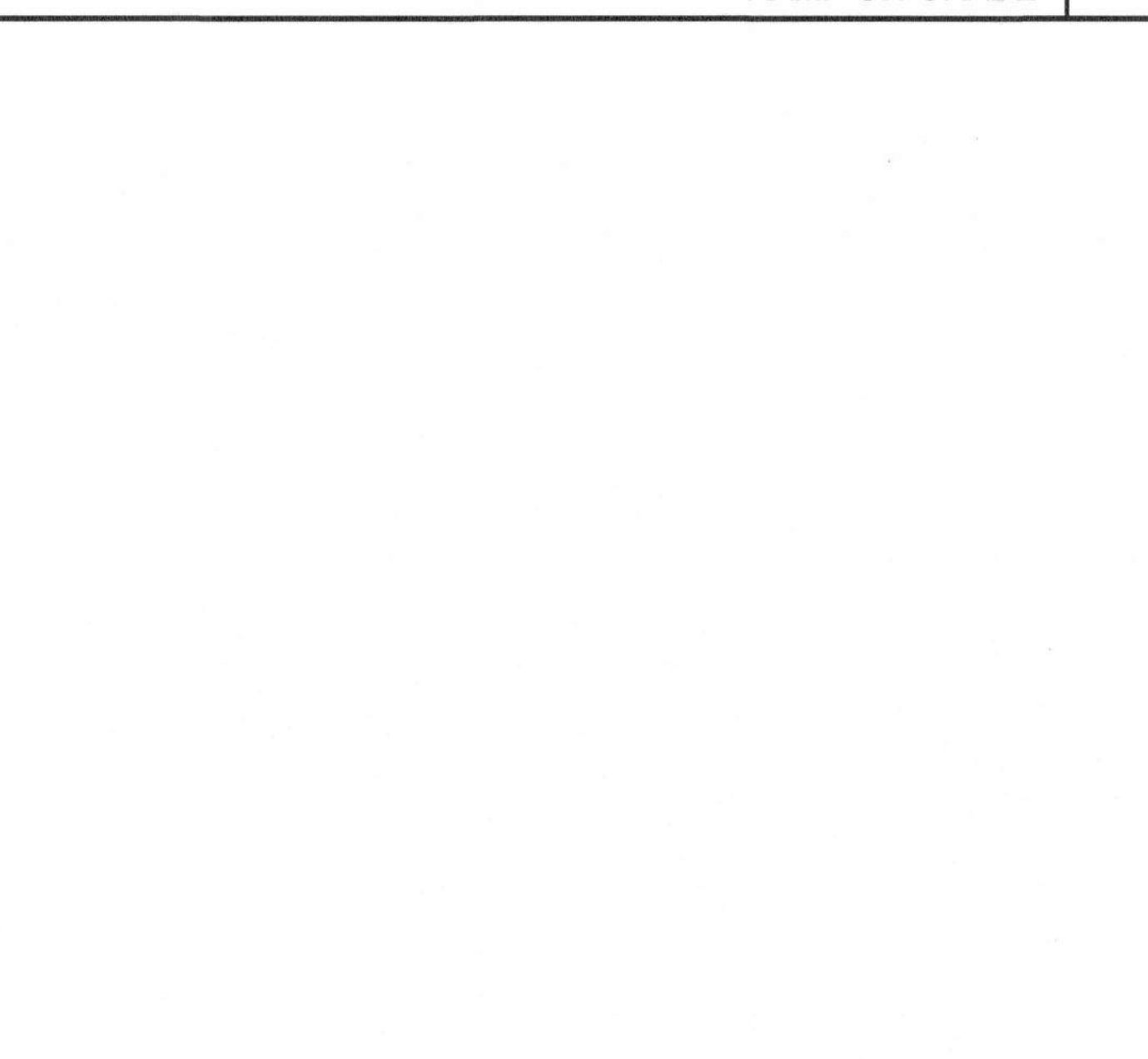
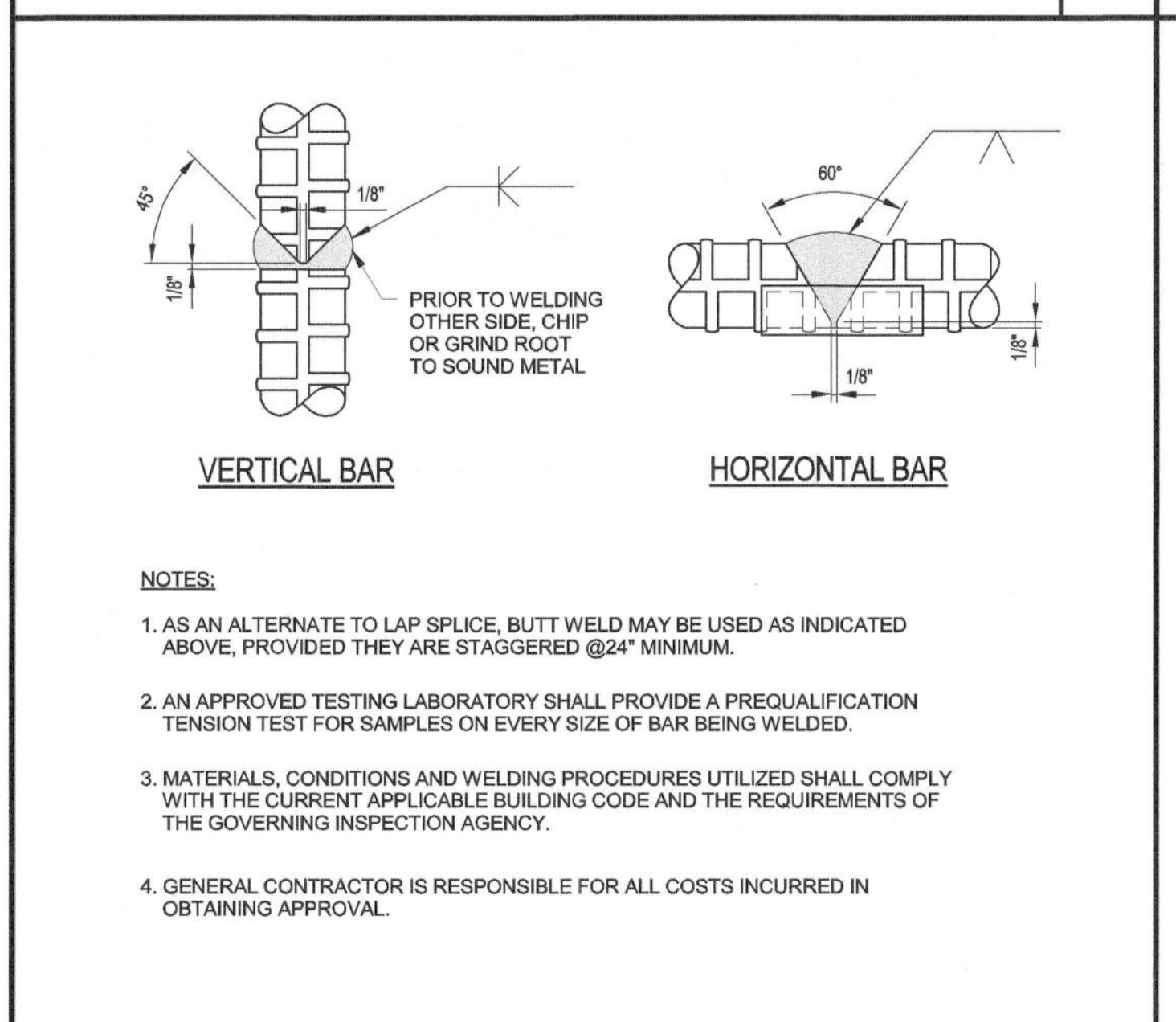
TYPICAL SECTION AT CONCRETE STEPS OR RAMP ON GRADE 8

TYP. STEPPED FOOTING/GRADE BEAM DETAIL 6

TYPICAL FOOTING REINFORCING AT CORNERS and INTERSECTIONS 5

BAR DIAMETER DISTANCES

BAR DIAMETERS	BAR SIZE										
	#3	#4	#5	#6	#7	#8	#9	#10	#11		
3db	1 1/8"	1 1/2"	1 7/8"	2 1/4"	2 5/8"	3"	-	-	-	-	
4db	1 1/2"	2"	2 1/2"	3"	3 1/2"	4"	4 1/2"	5"	5 1/2"		
6db	2 1/4"	3"	3 3/4"	4 1/2"	5 1/4"	6"	-	-	-		
8db	-	-	-	-	-	-	9"	10"	11"		
12db	4 1/2"	6"	7 1/2"	9"	10 1/2"	12"	13 1/2"	15"	16 1/2"		



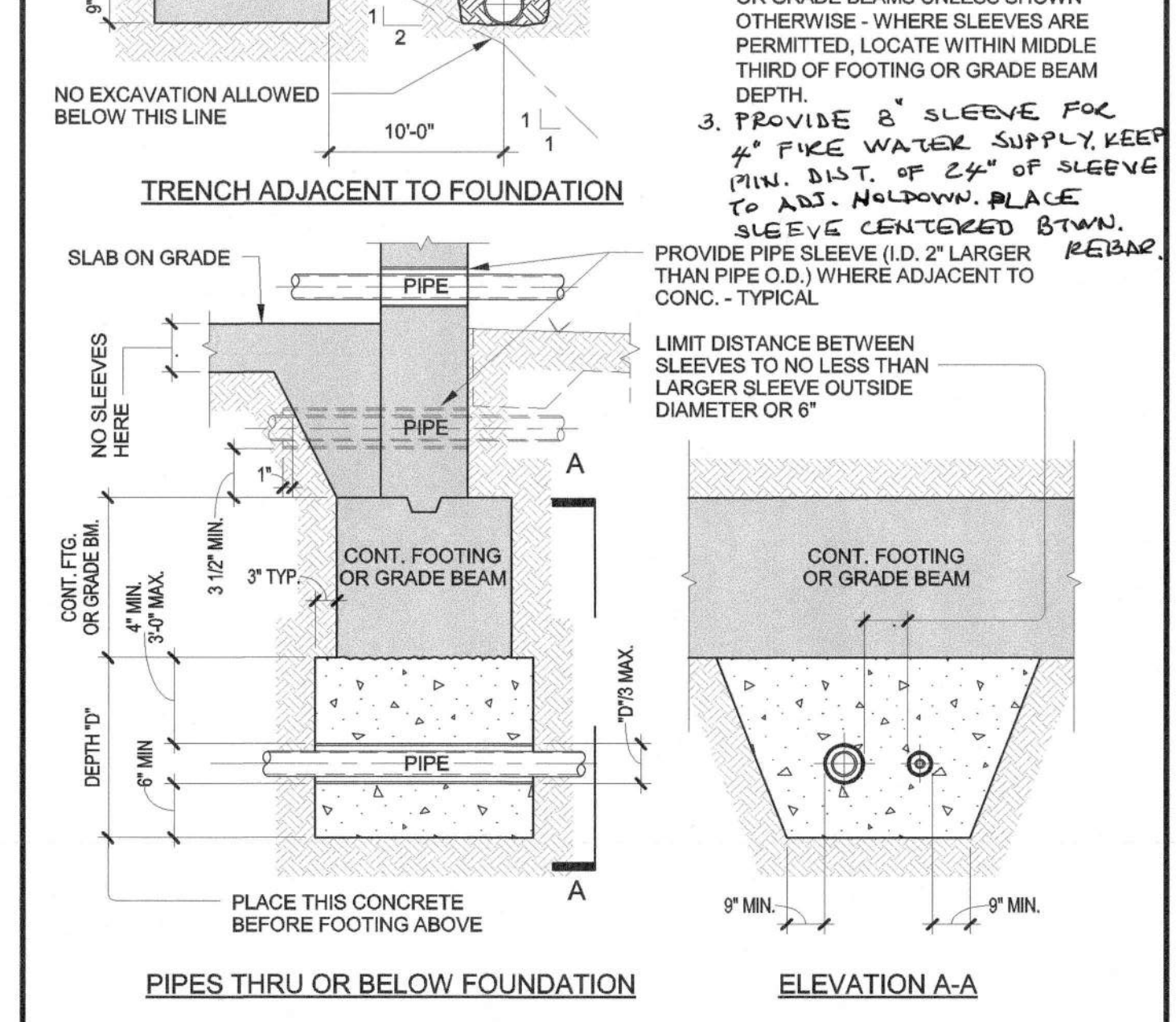
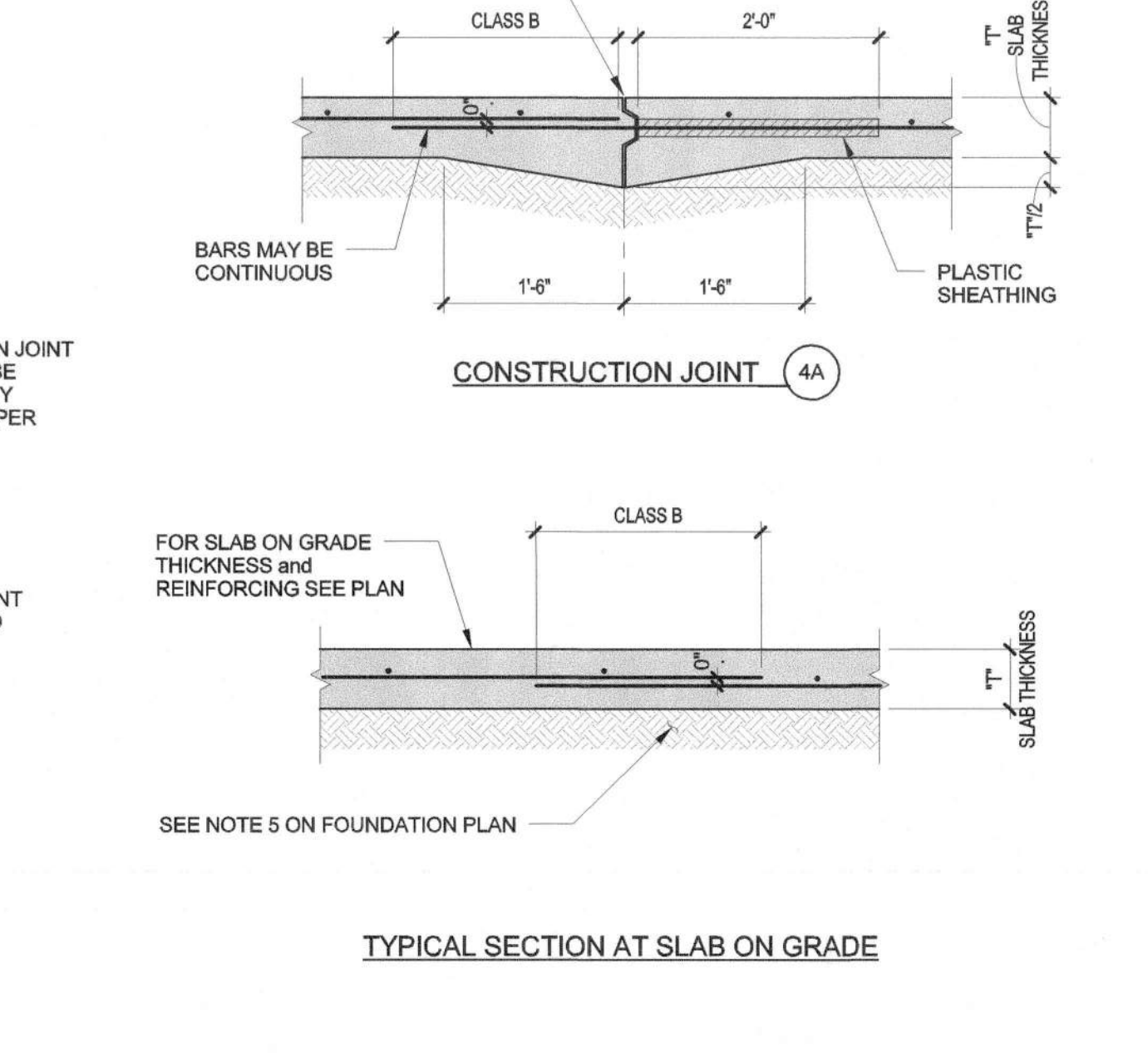
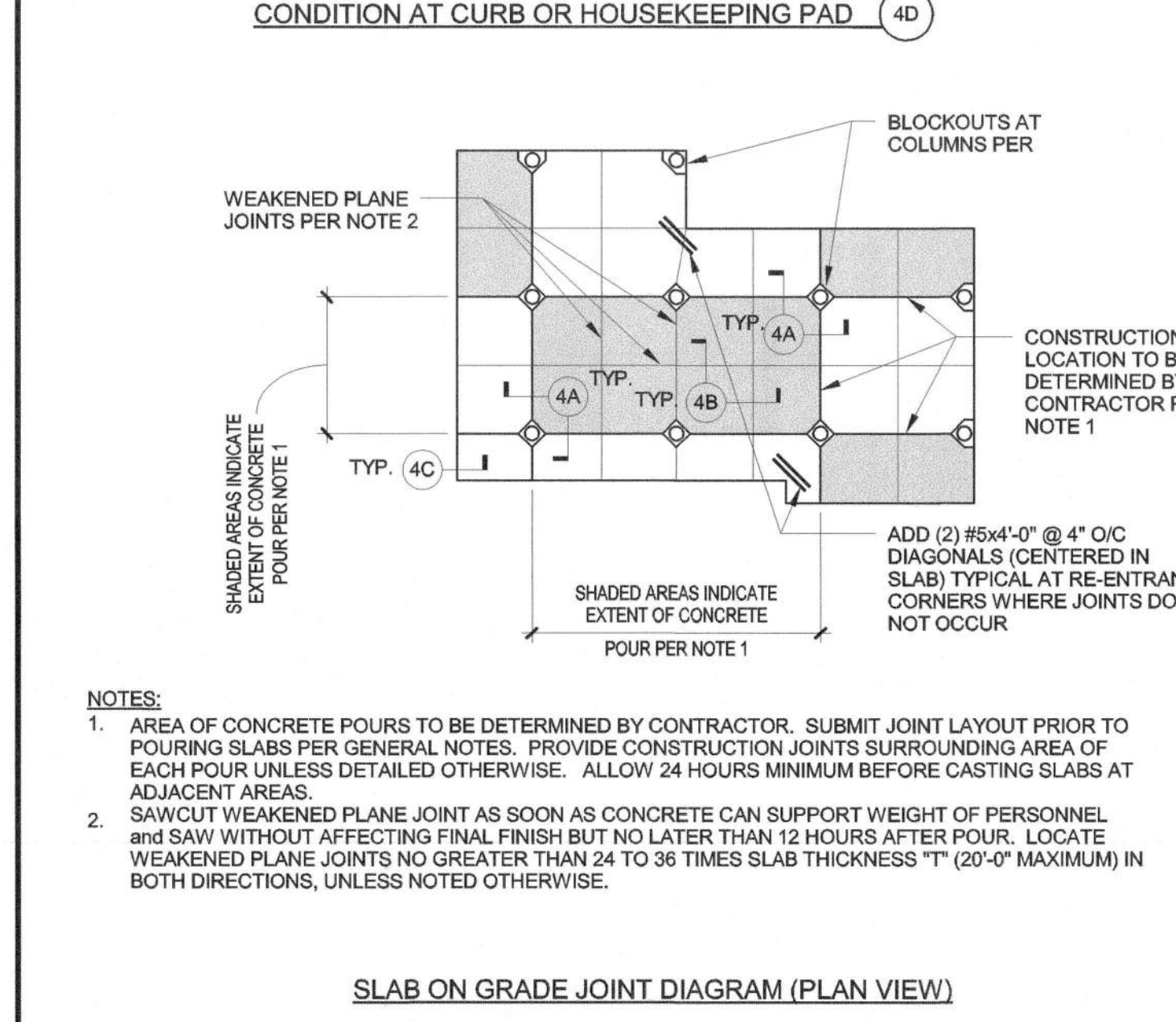
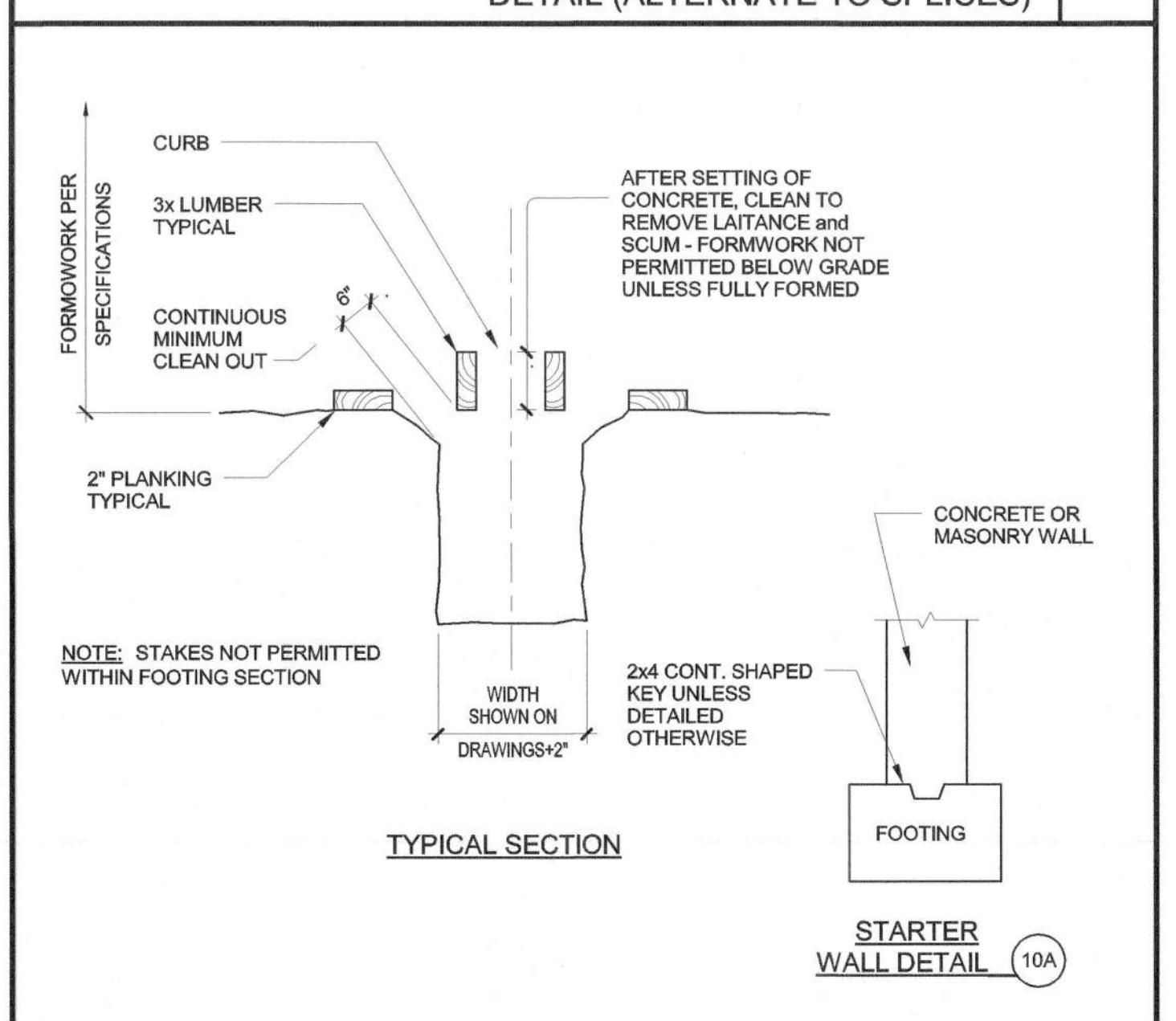
TYPICAL REINFORCING BUTT WELDS DETAIL (ALTERNATE TO SPLICES) 11

SLAB ON GRADE JOINT DIAGRAM (PLAN VIEW)

TYPICAL SECTION AT SLAB ON GRADE

TYPICAL SECTION AT SLAB ON GRADE DETAILS 4

TYP. PIPES THRU OR TRENCHES ADJACENT TO FOUNDATIONS 1



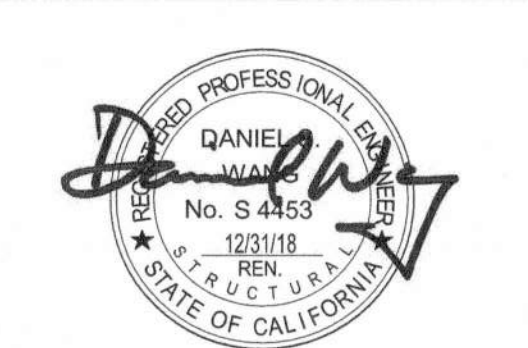
TYPICAL MANDATORY FOUNDATION FORWORK (UNLESS FULLY FORMED) 10

TRENCH ADJACENT TO FOUNDATION

PIPES THRU OR BELOW FOUNDATION

ELEVATION A-A

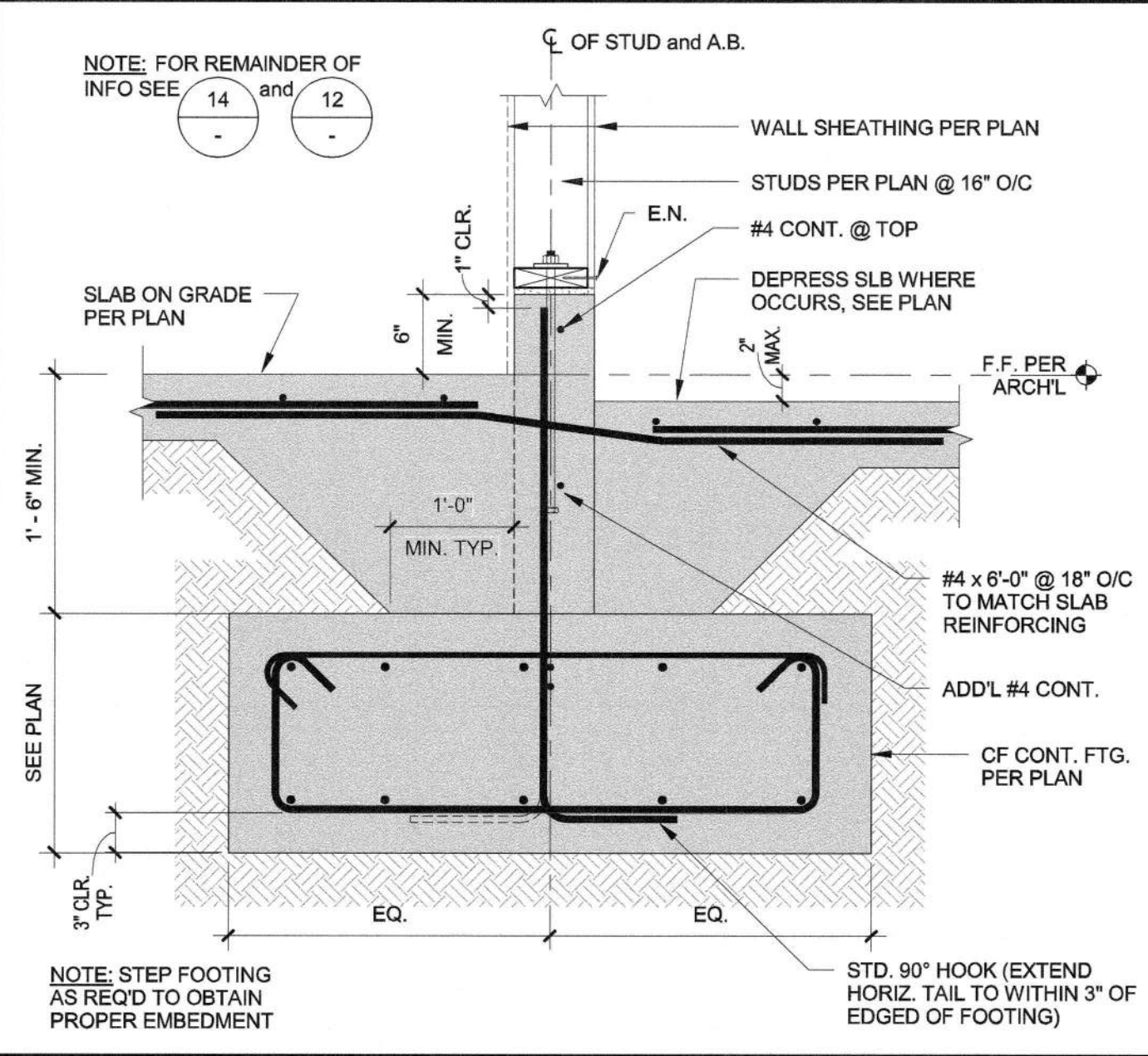
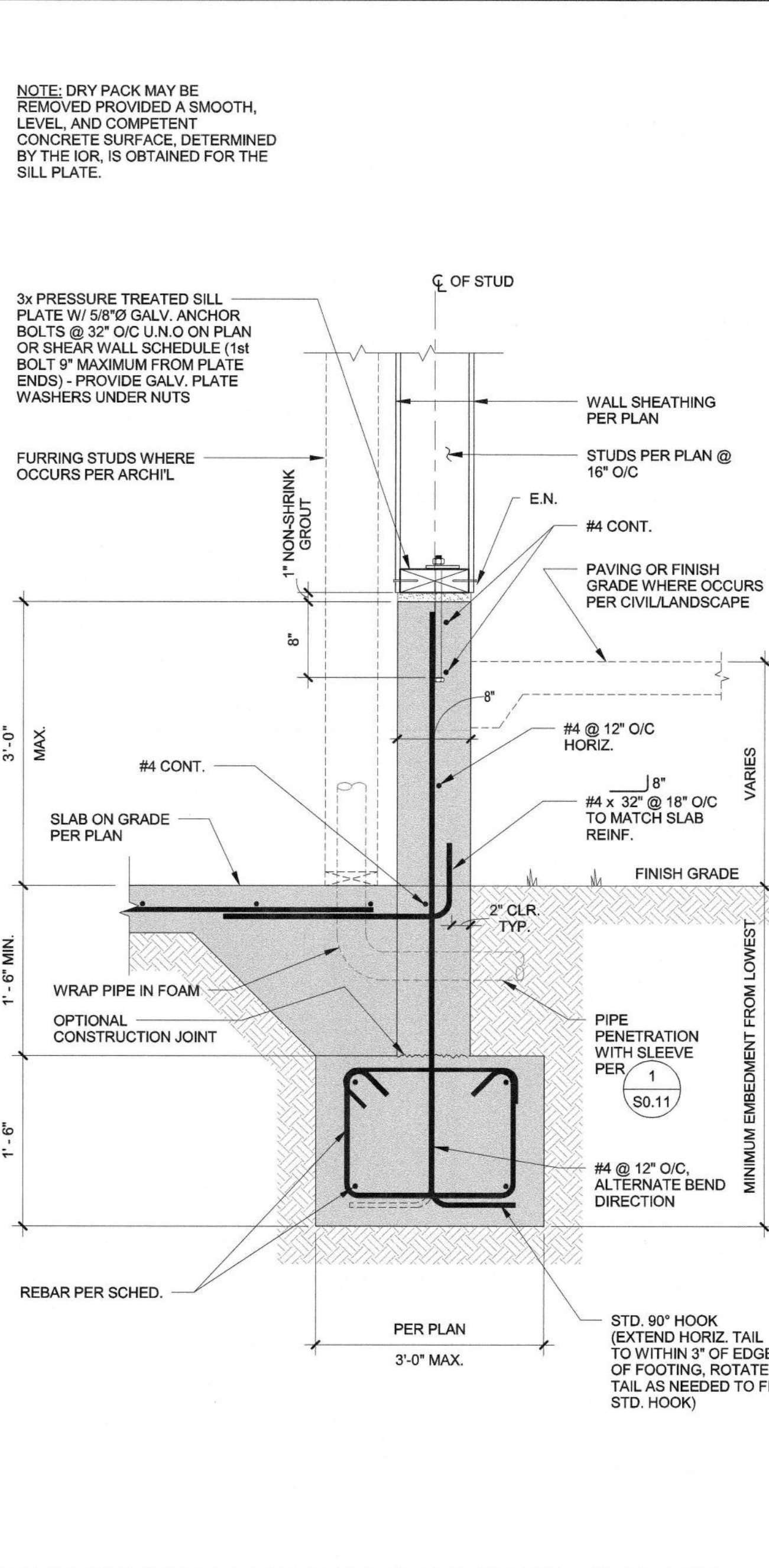
TYPICAL FOUNDATION AND SOG DETAILS



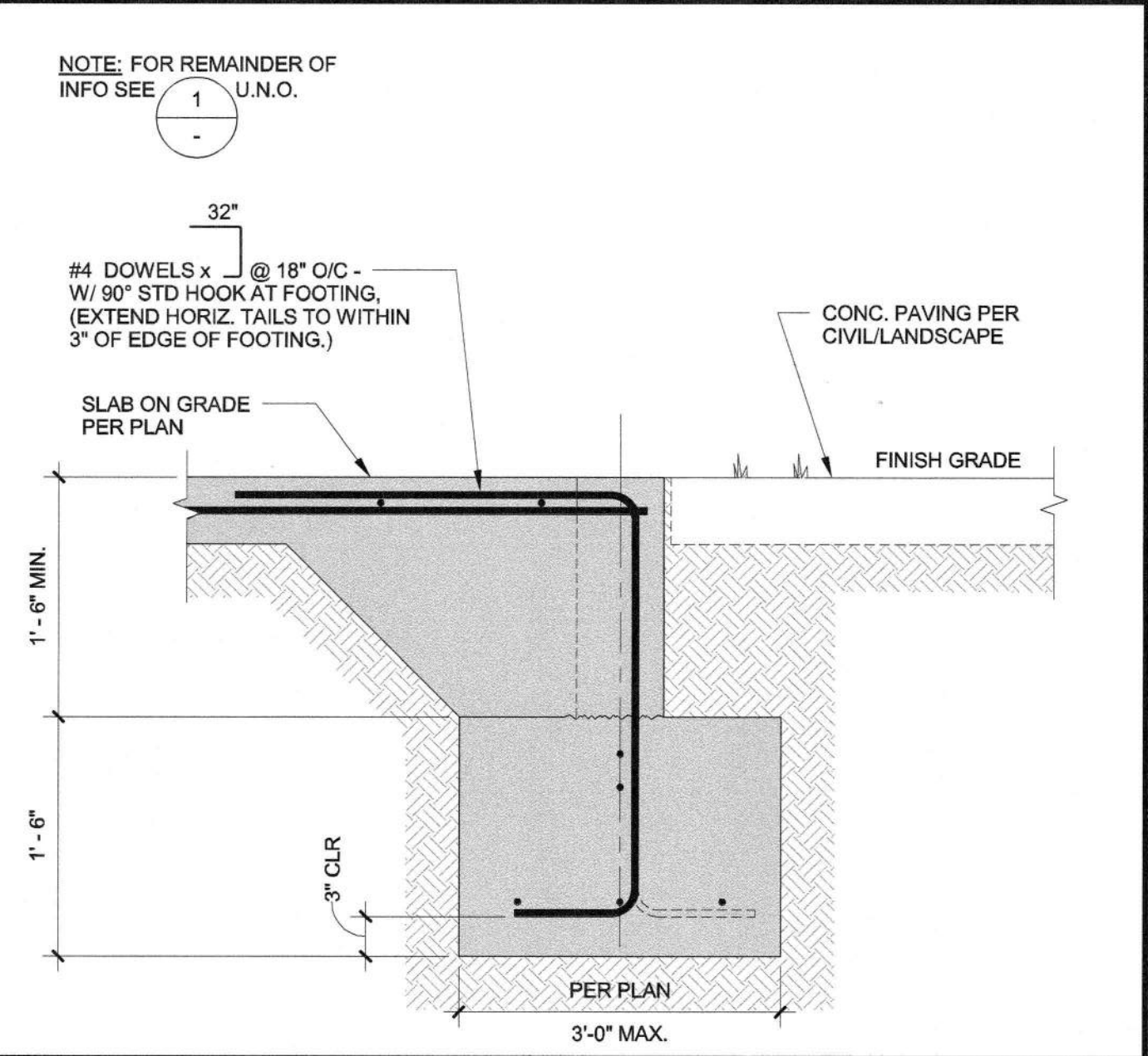
**BUILDING D SCIENCE AND CLASSROOM BUILDINGS, PIEDMONT HILLS HIGH SCHOOL**  
 1377 PIEDMONT RD  
 SAN JOSE, CA 95132

Date	Revision
02/12/16	SCHEMATIC DESIGN
02/12/16	DESIGN DEVELOPMENT
02/12/16	50% CONSTRUCTION DOCUMENTS
07/27/16	80% CONSTRUCTION DOCUMENTS
08/12/16	DESA SUBMITTAL
02/02/17	DESA APPROVAL

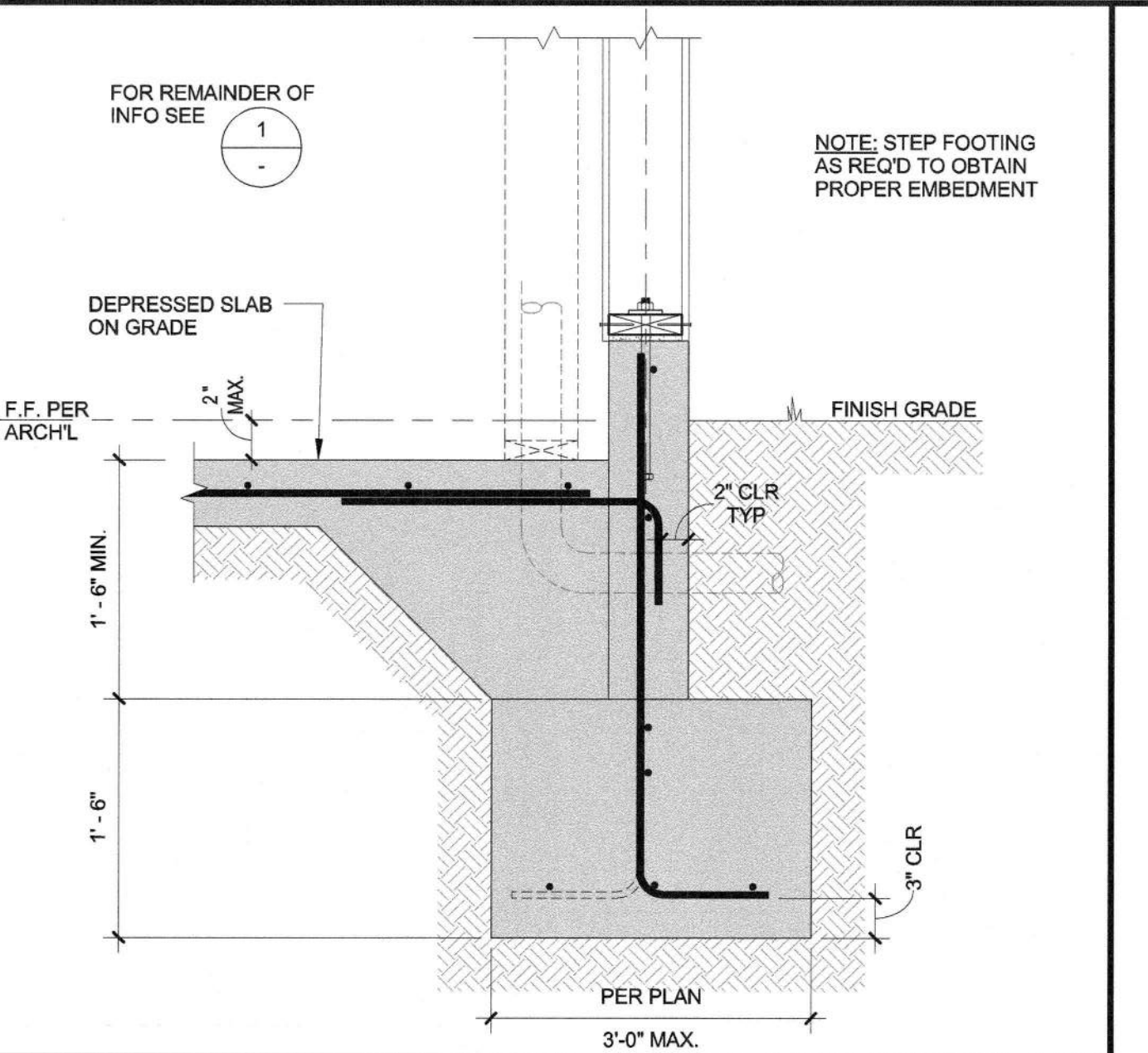
Job No: 1602010  
 Date: 06/12/2016  
 Checked by: DW  
 Scale: As Indicated



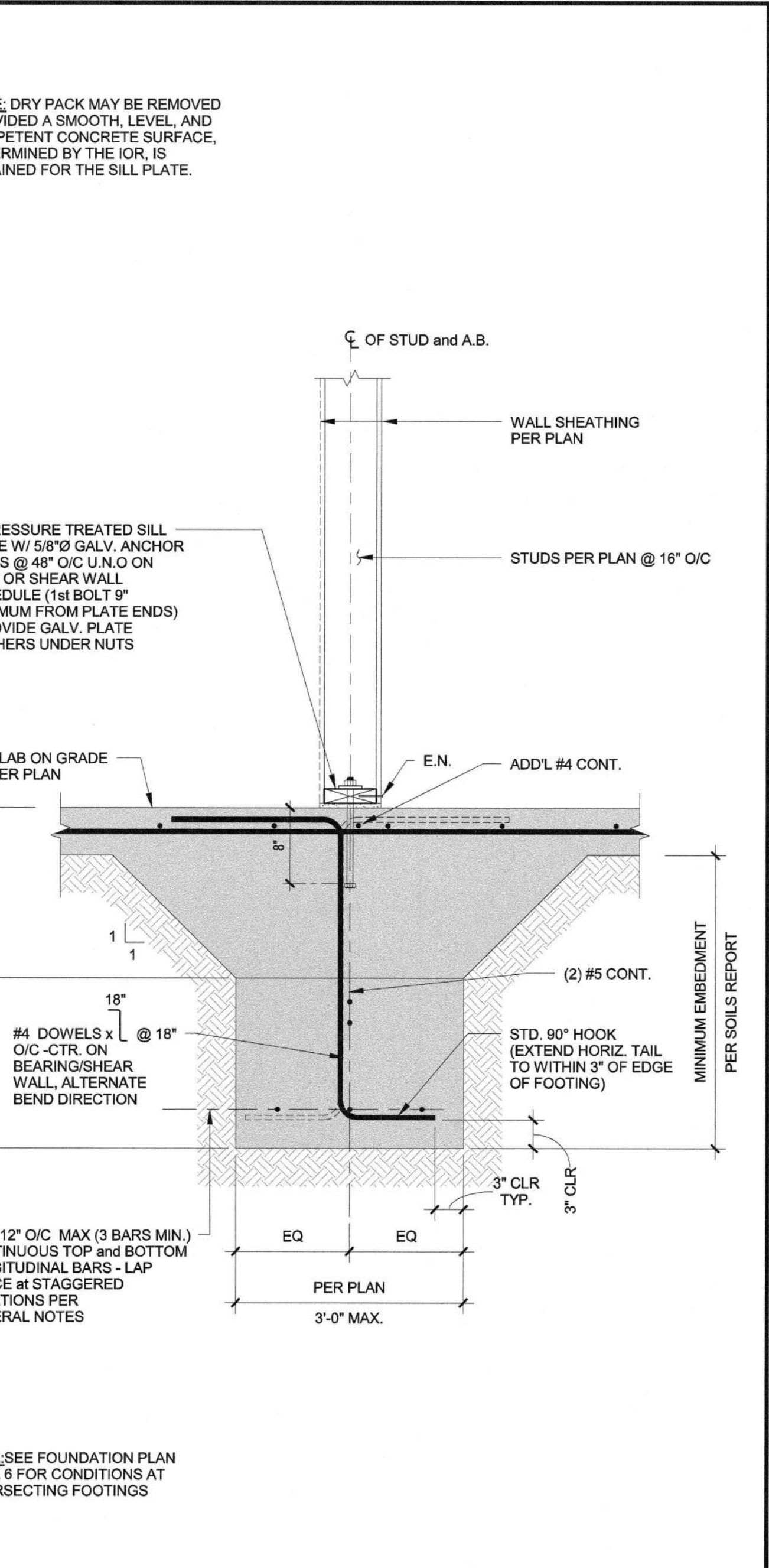
TYP. INTERIOR WALL AT DEPRESS SLAB and at CONT. or SPREAD FTG. 13



TYP. DOOR OPENING IN PERIMETER BEARING WALL/FTG. 10

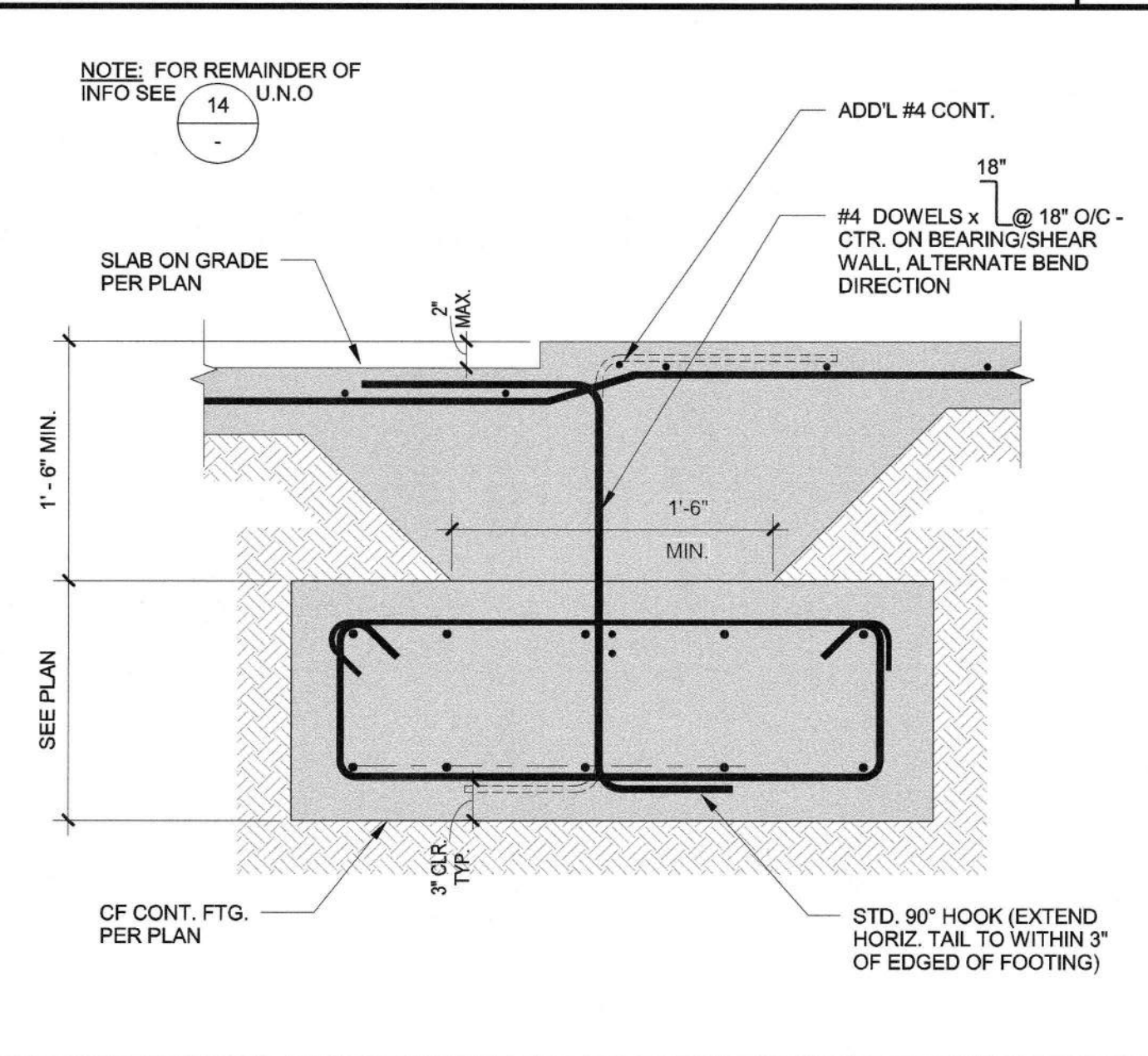


TYPICAL PERIMETER WALL and FOOTING AT DEPRESS SLAB 6

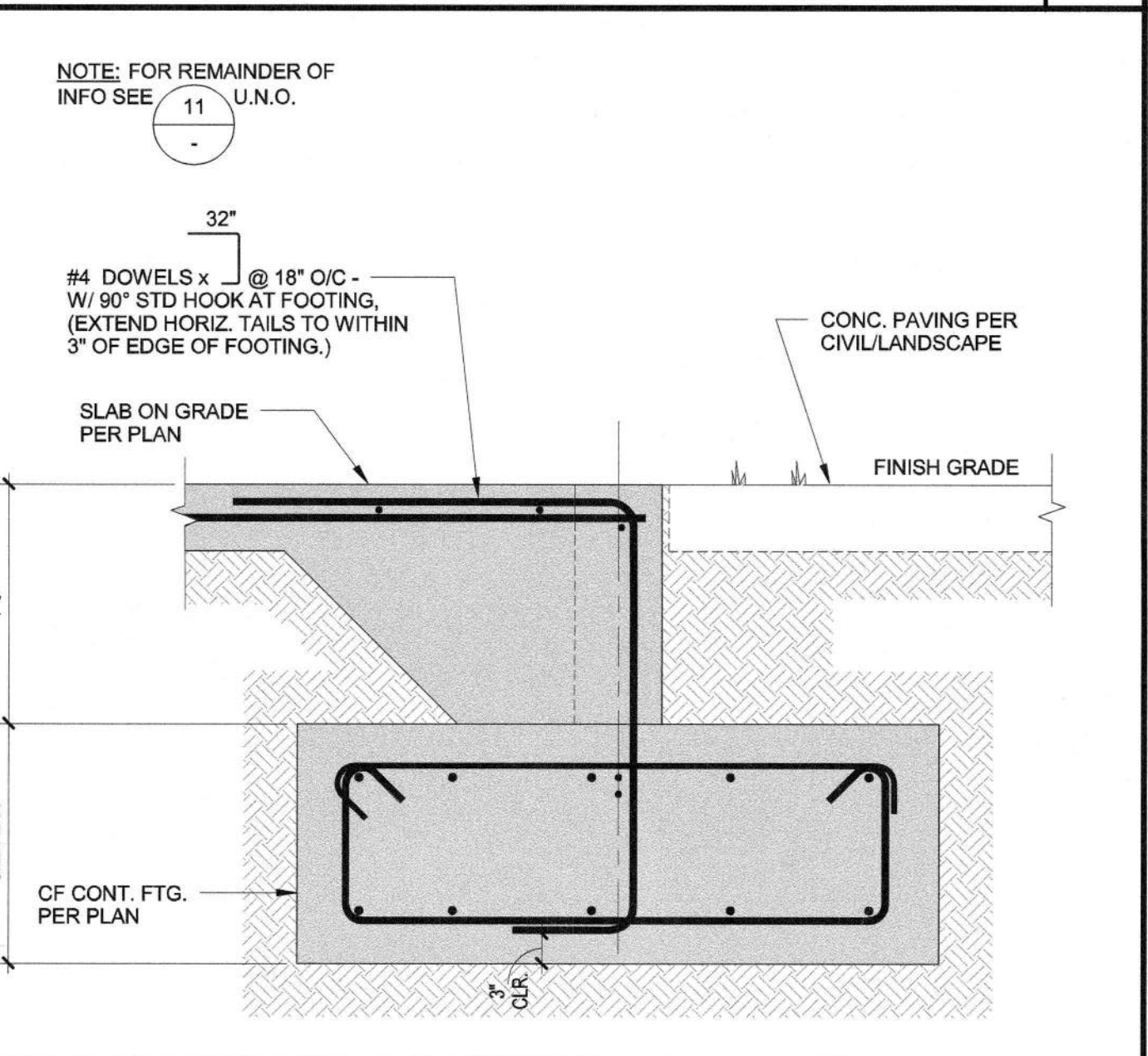


TYP. INTERIOR WALL/FOOTING 2

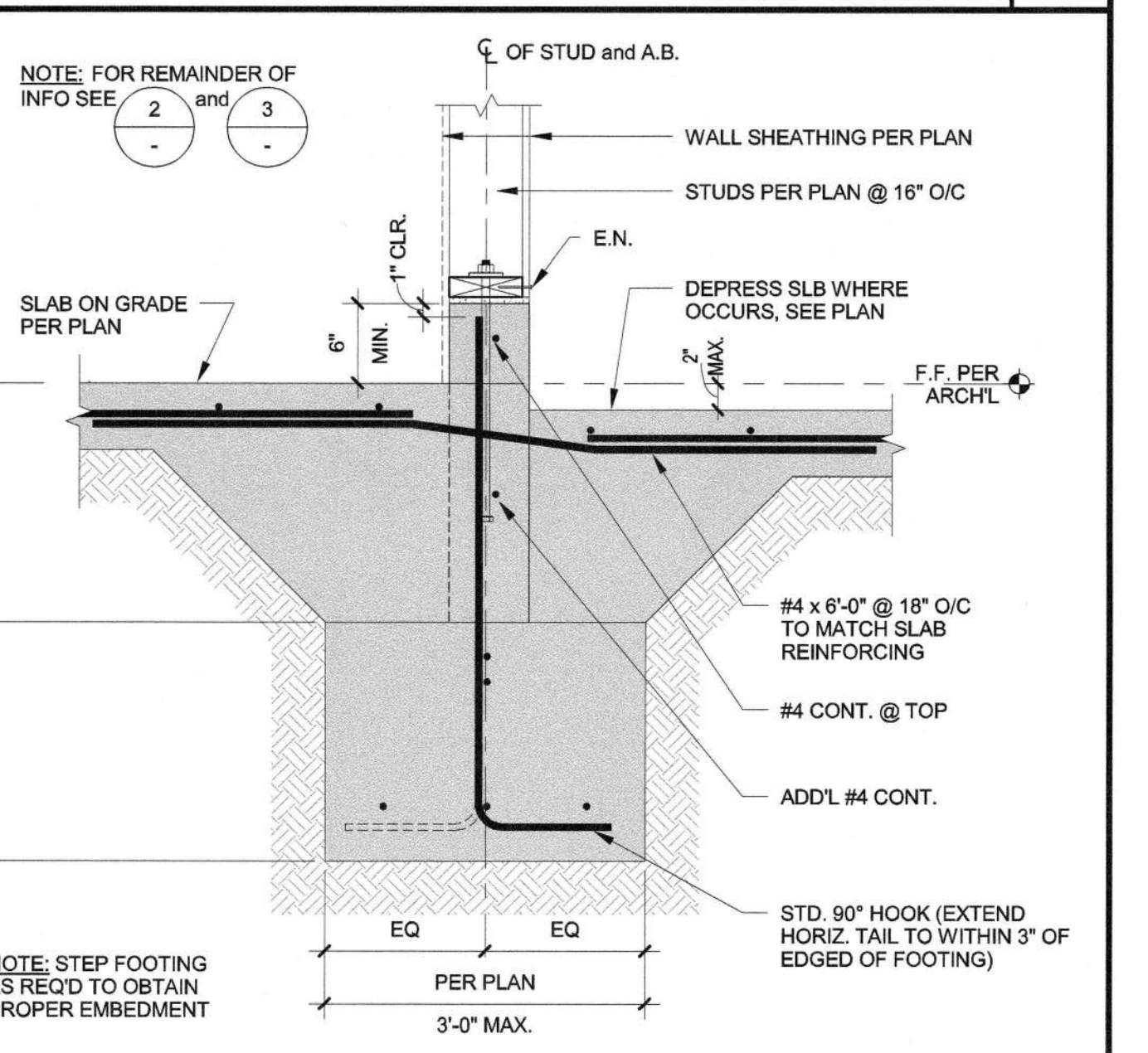
TYPICAL PERIMETER WALL and FOOTING 15



TYP. INTERIOR OPENING at CONT. or SPREAD FTG. 12

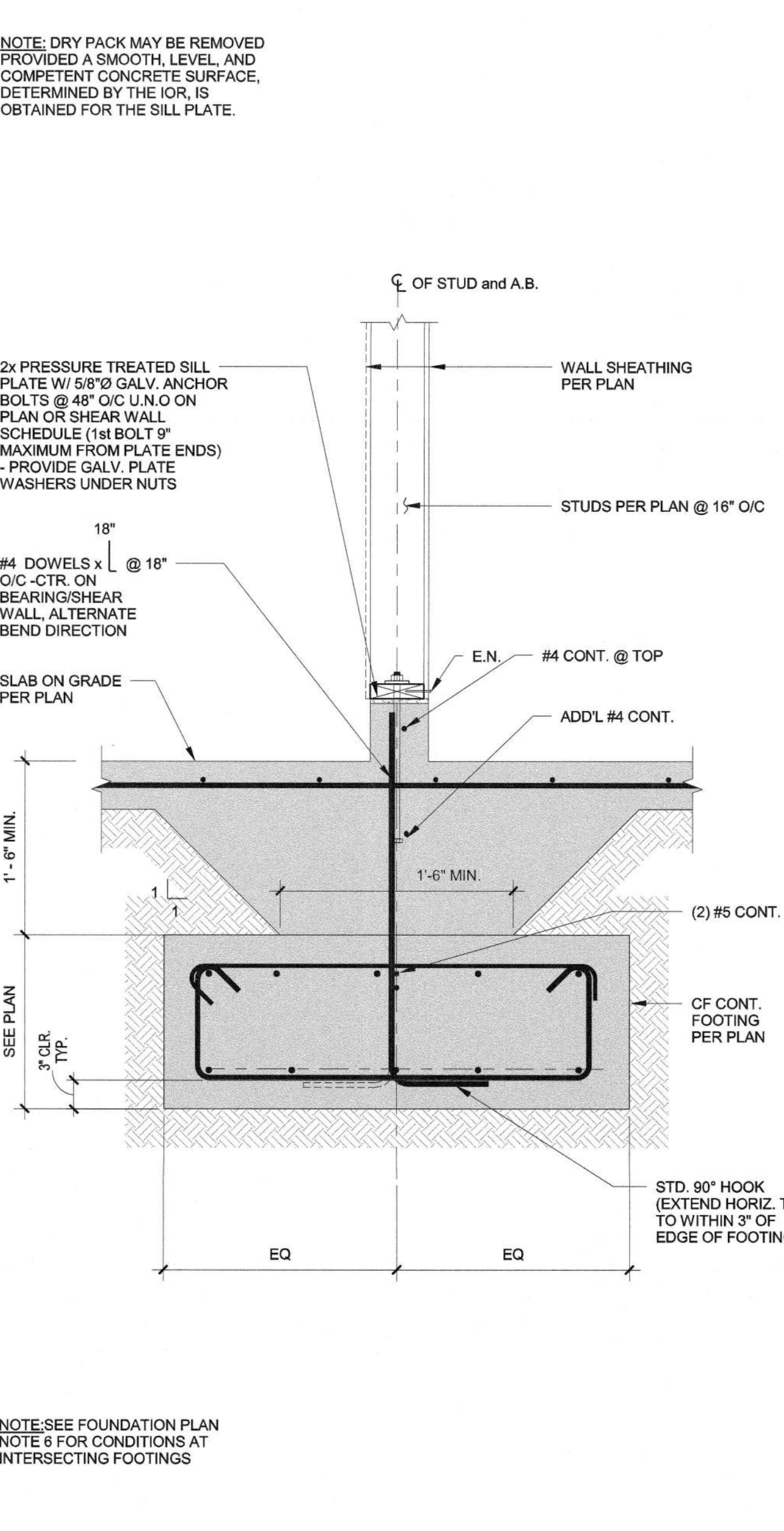


TYP. DOOR OPENING IN PERIMETER CONT. FTG. 9

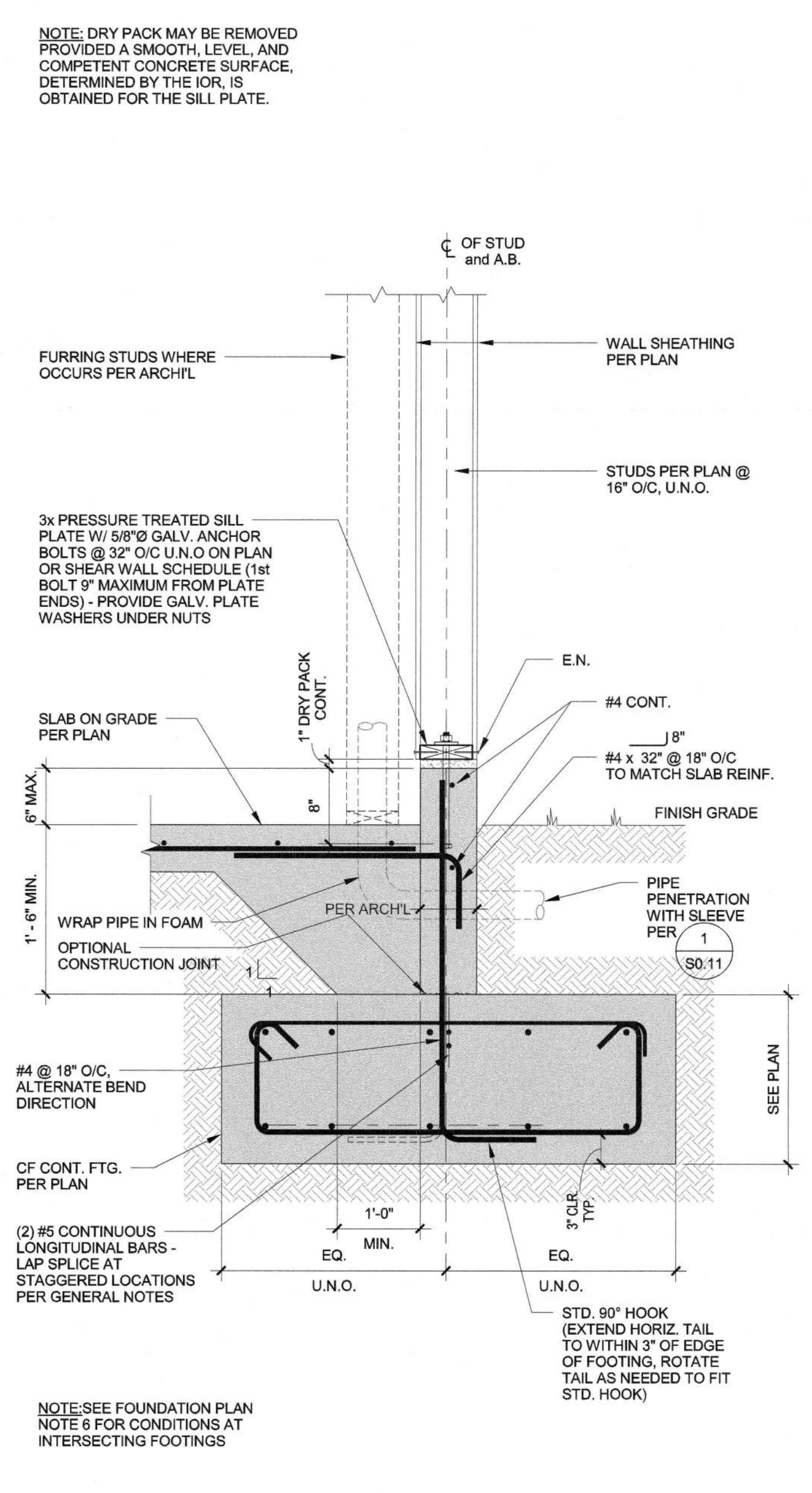


TYP. INTERIOR WALL AT DEPRESS SLAB 5

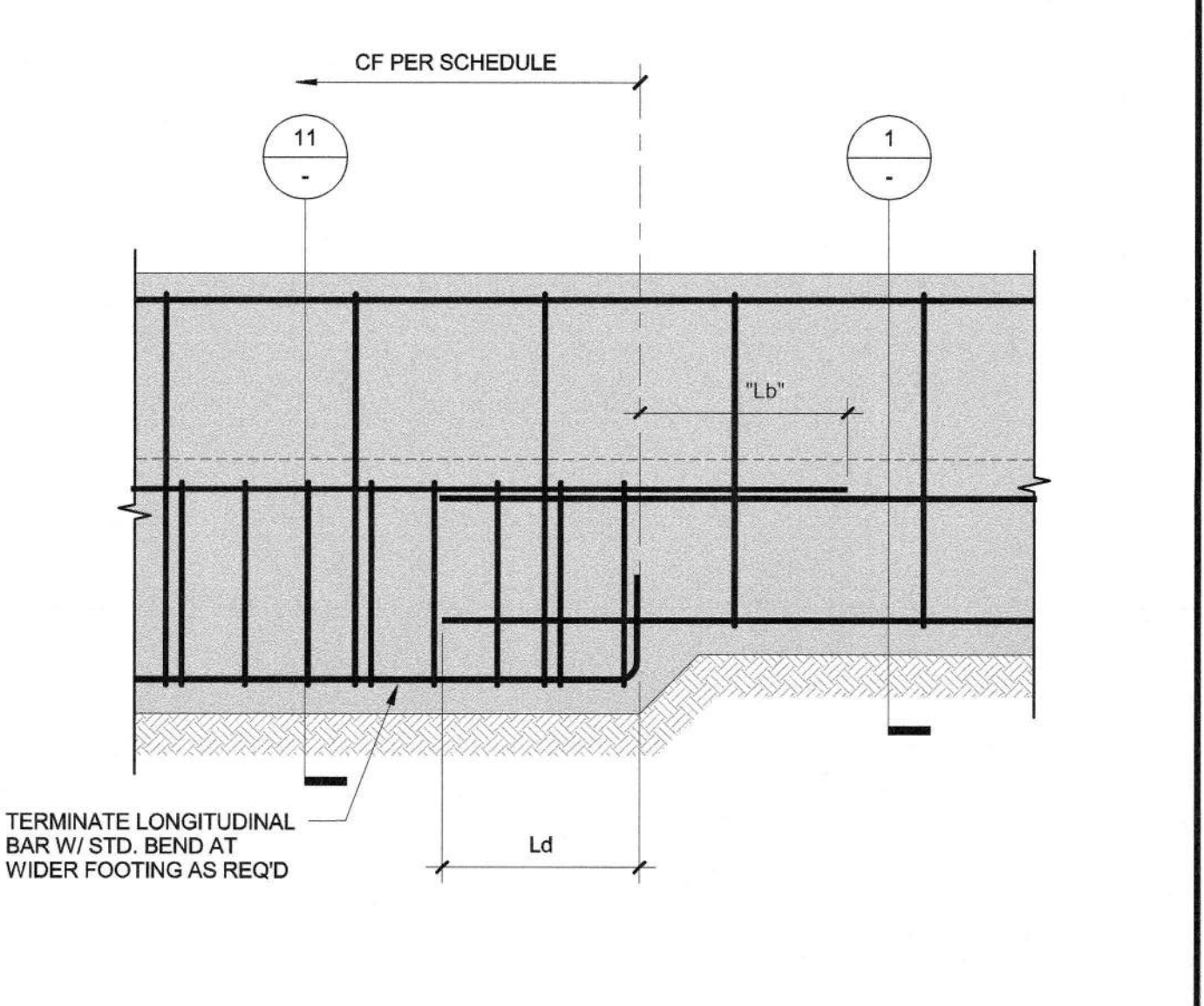
TYP. INTERIOR WALL/FOOTING 2



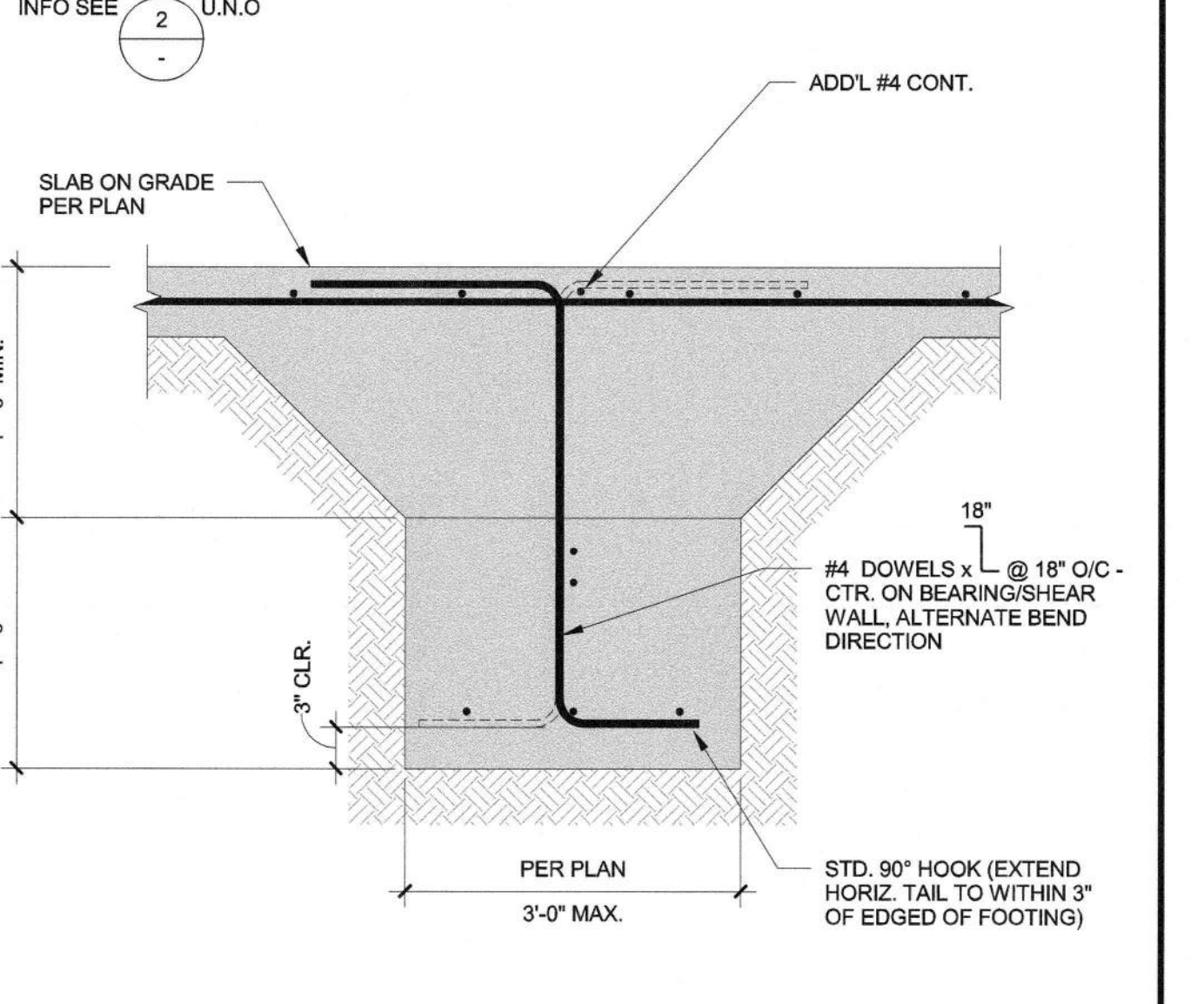
TYP. INTERIOR WALL at CONT. or SPREAD FTG. 14



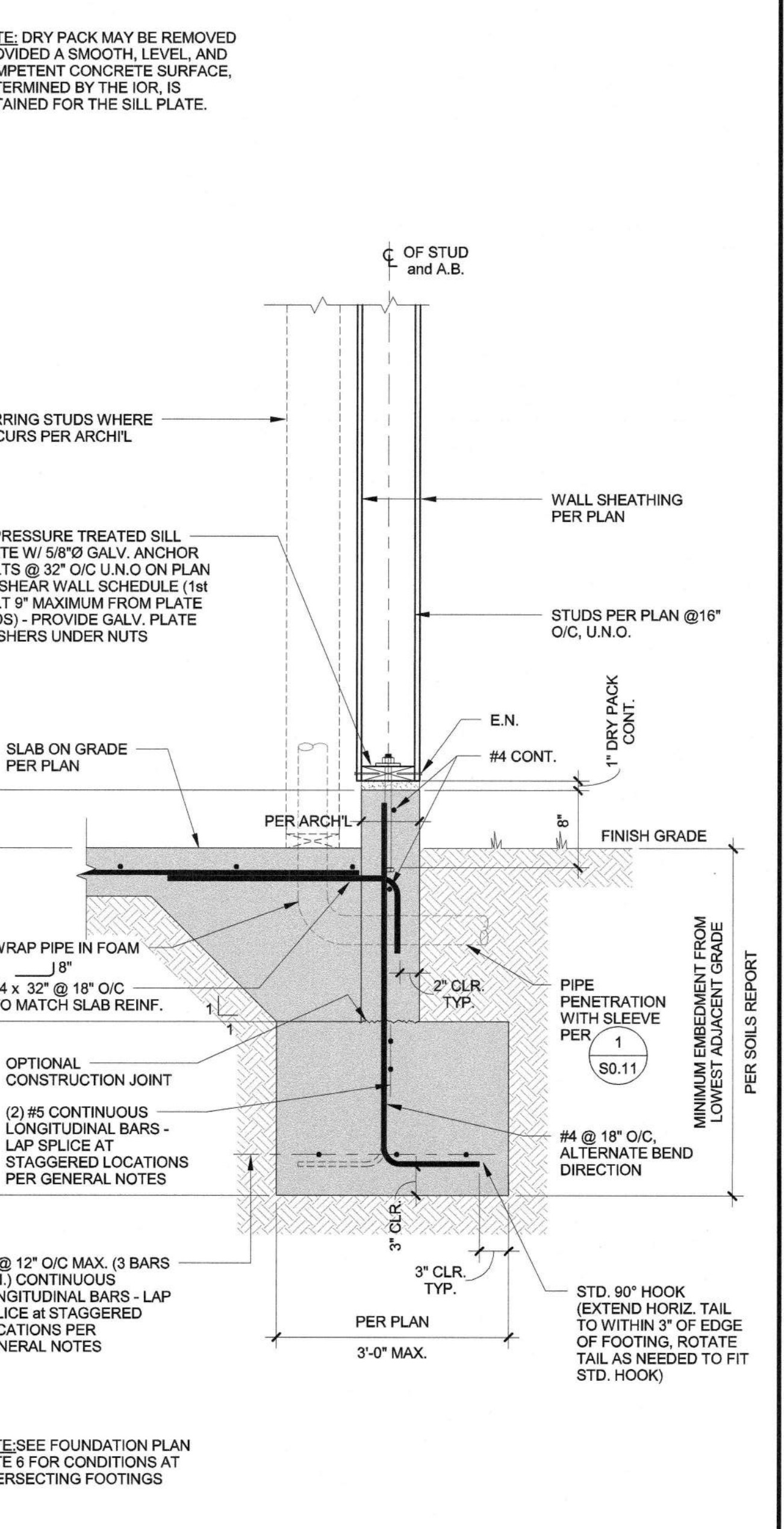
TYPICAL PERIMETER WALL at CONT. or SPREAD FTG. 11



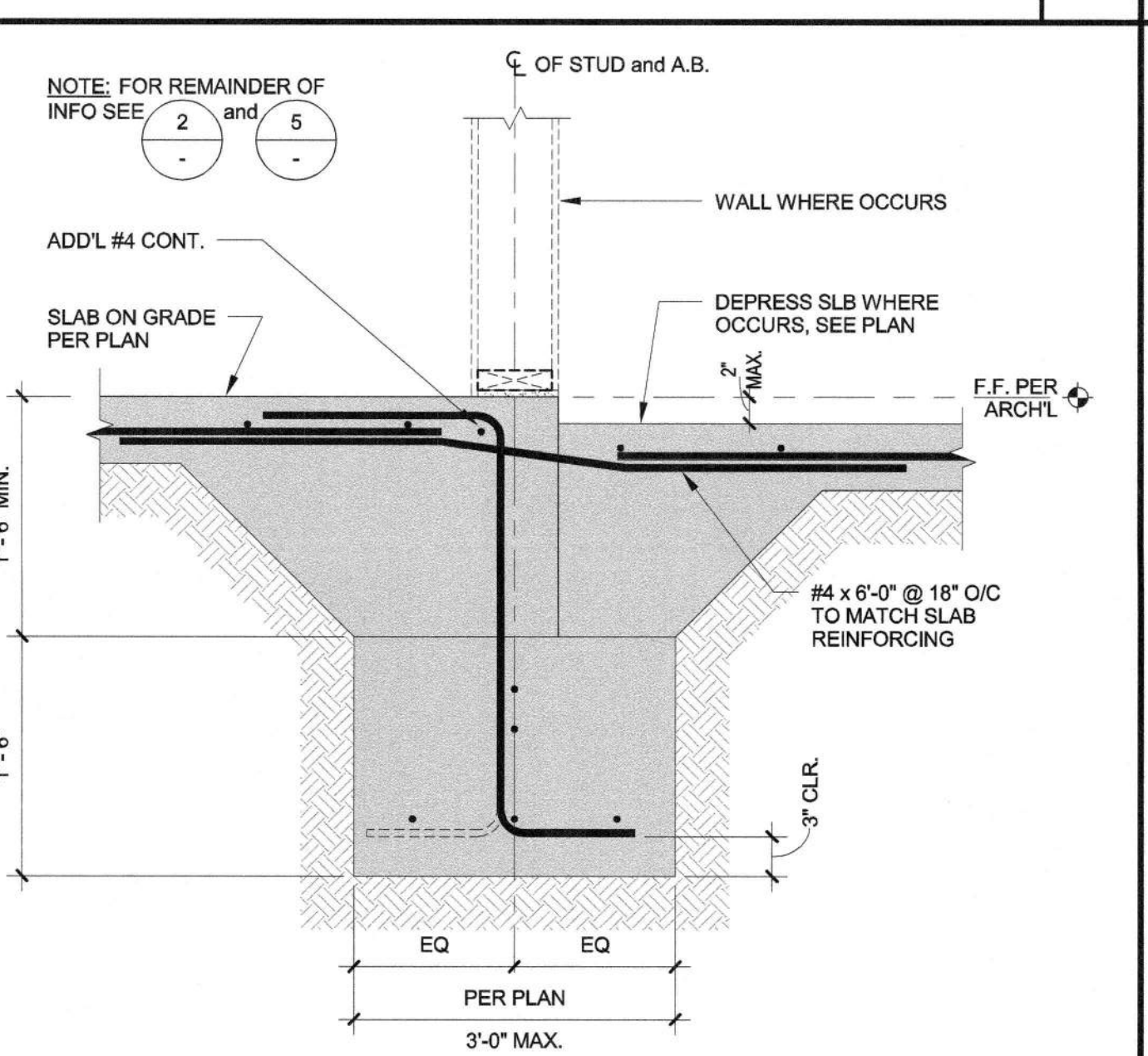
CONT. FOOTING AT TRANSITION 8



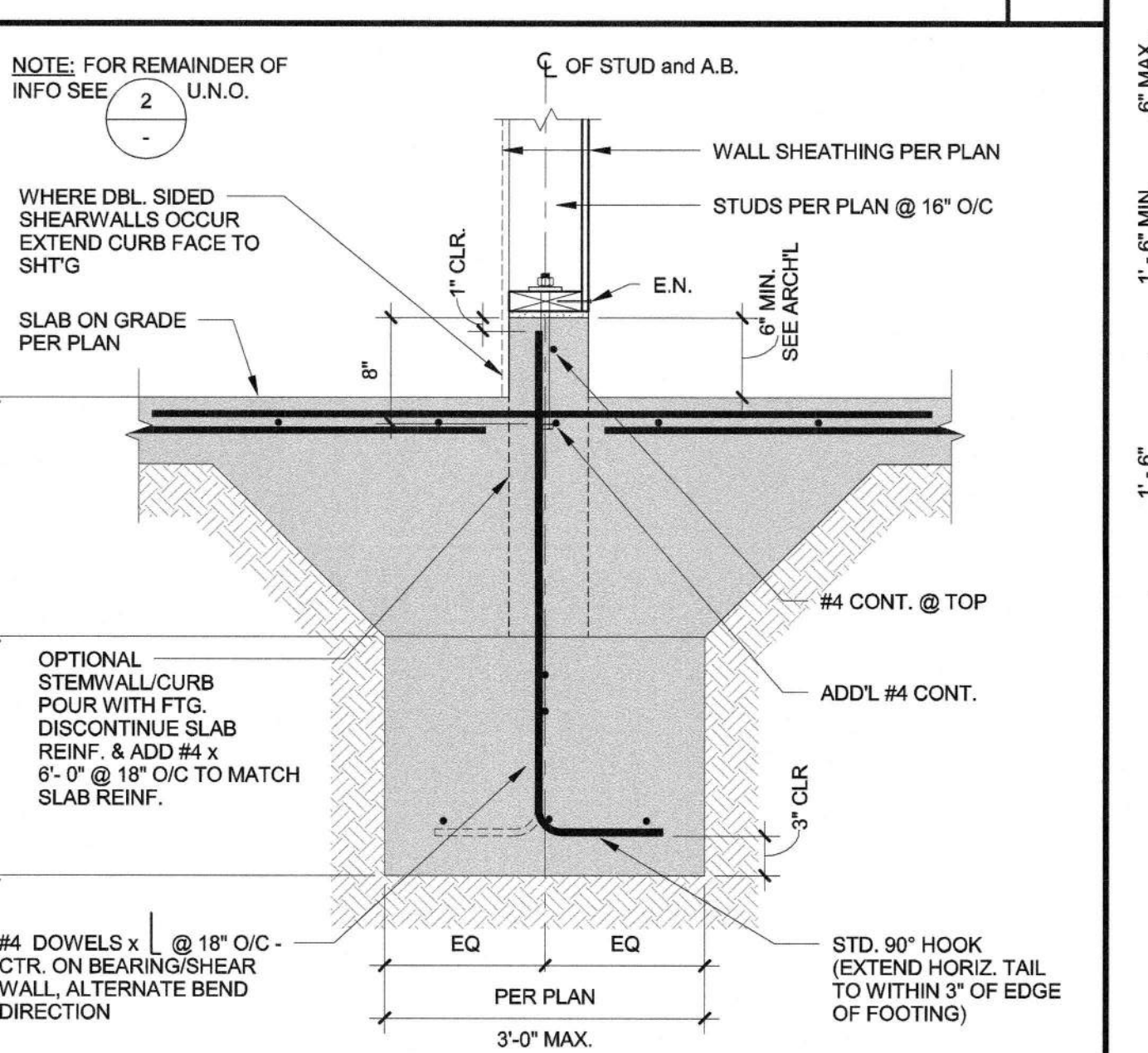
TYP. INTERIOR FOOTING AT OPENING 4



TYPICAL PERIMETER WALL and FOOTING 1

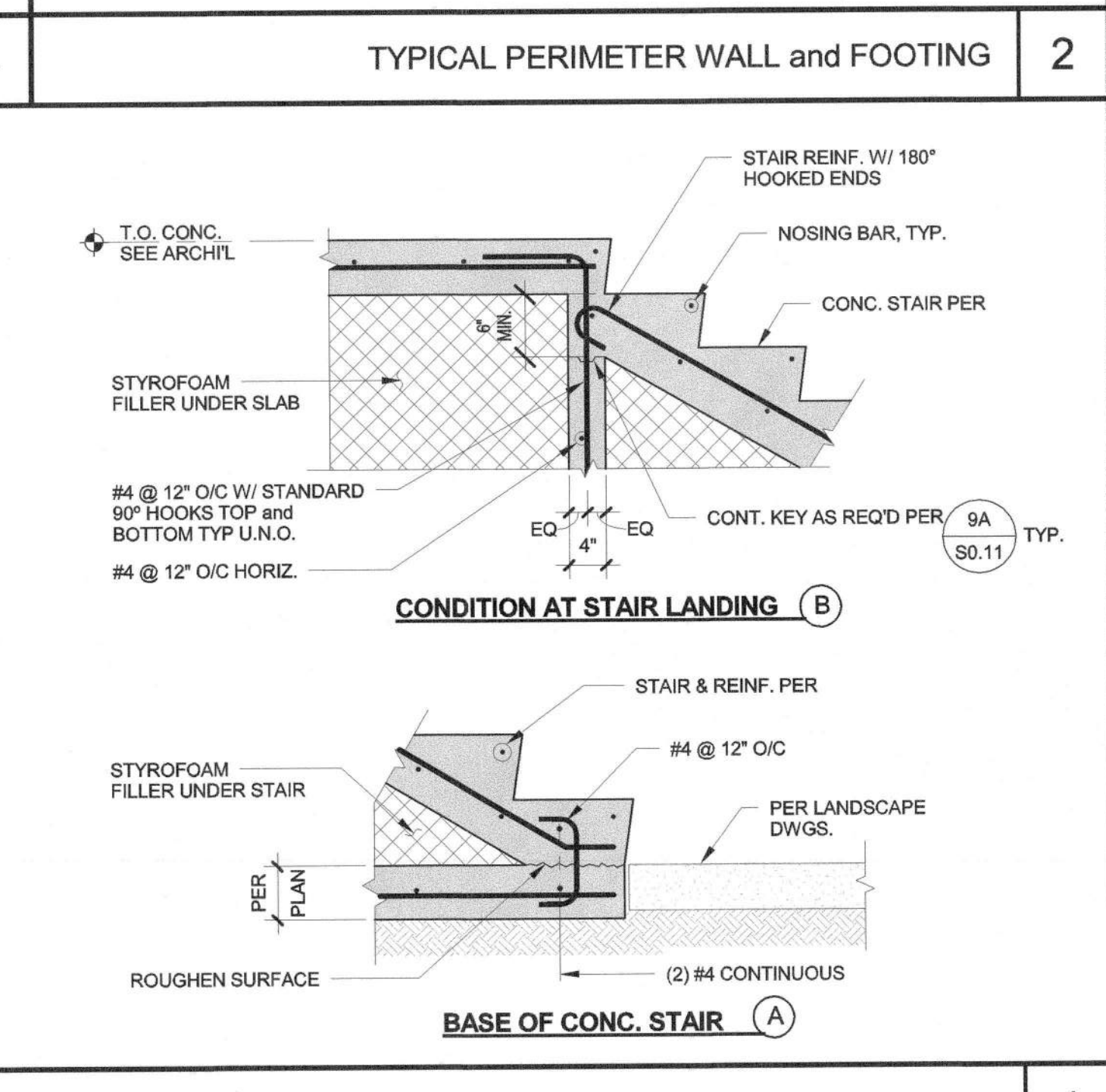
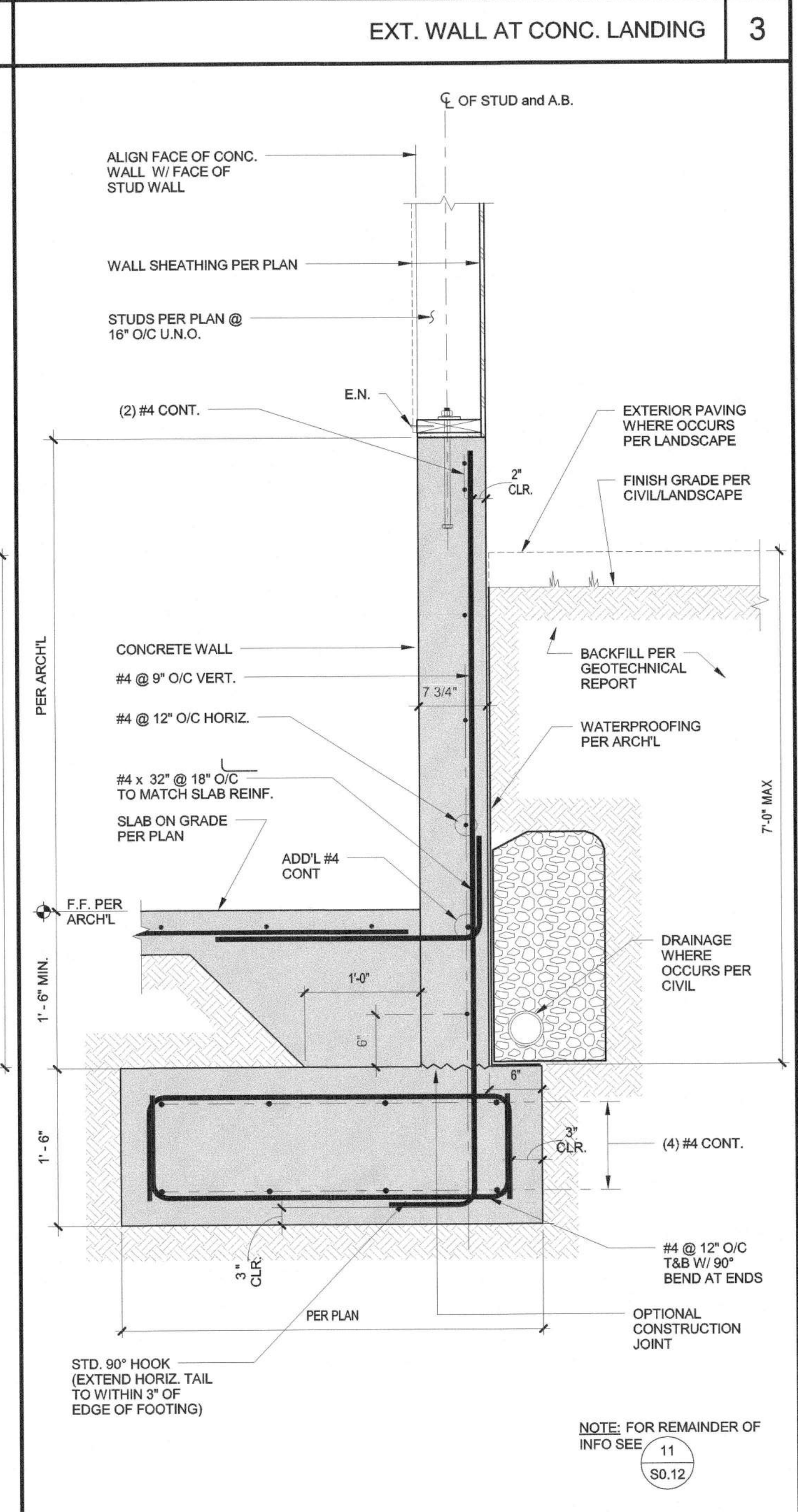
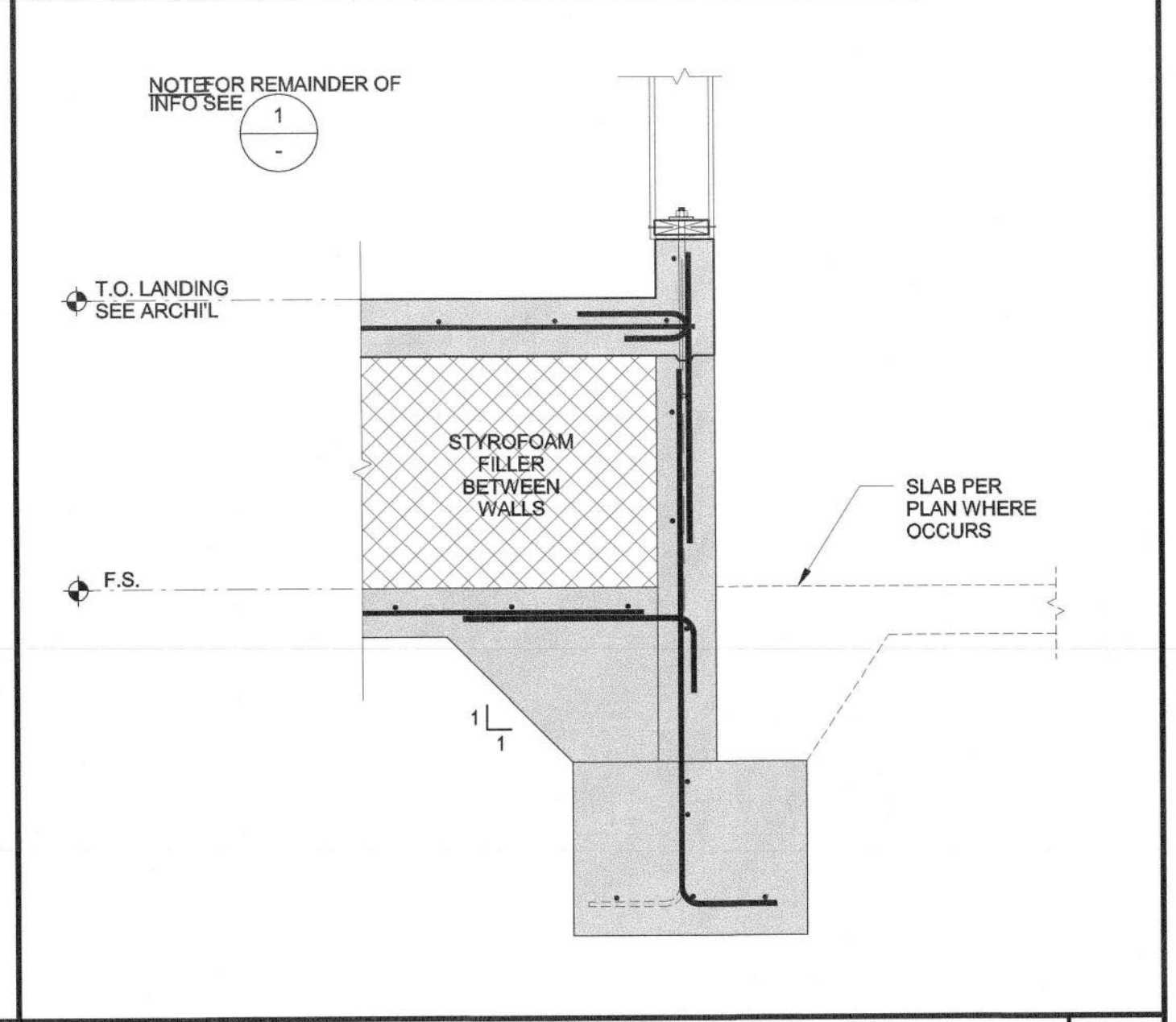
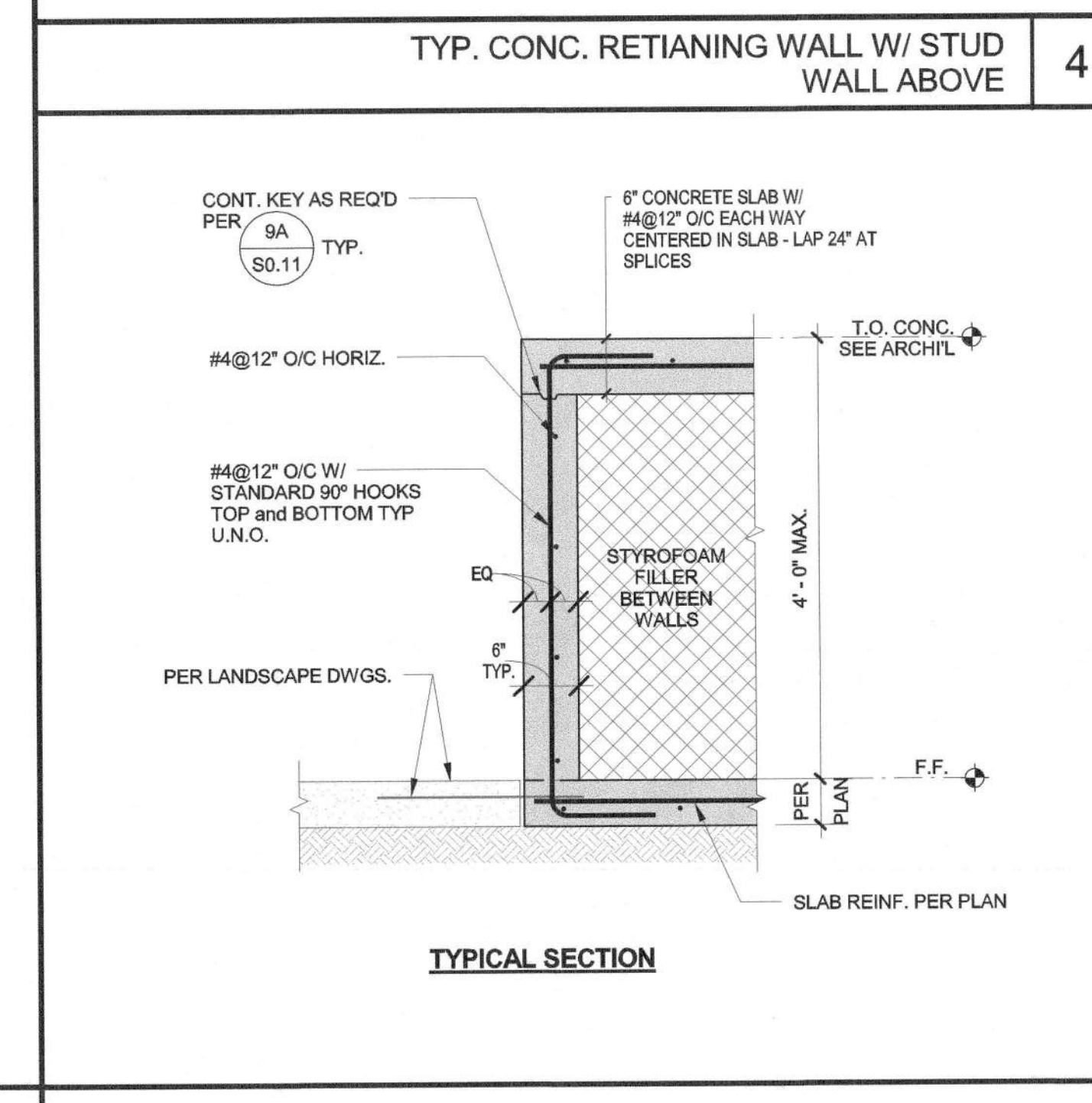
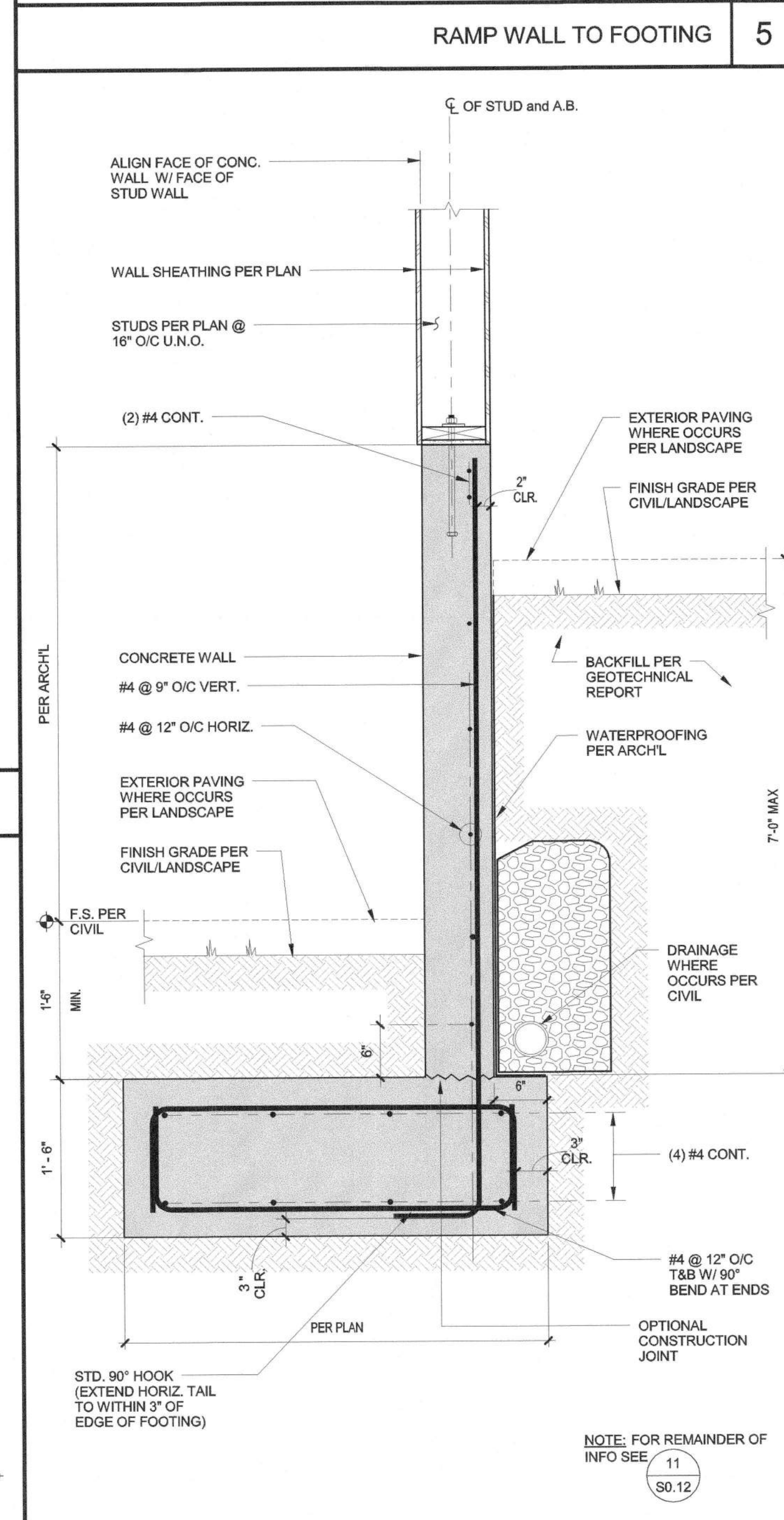
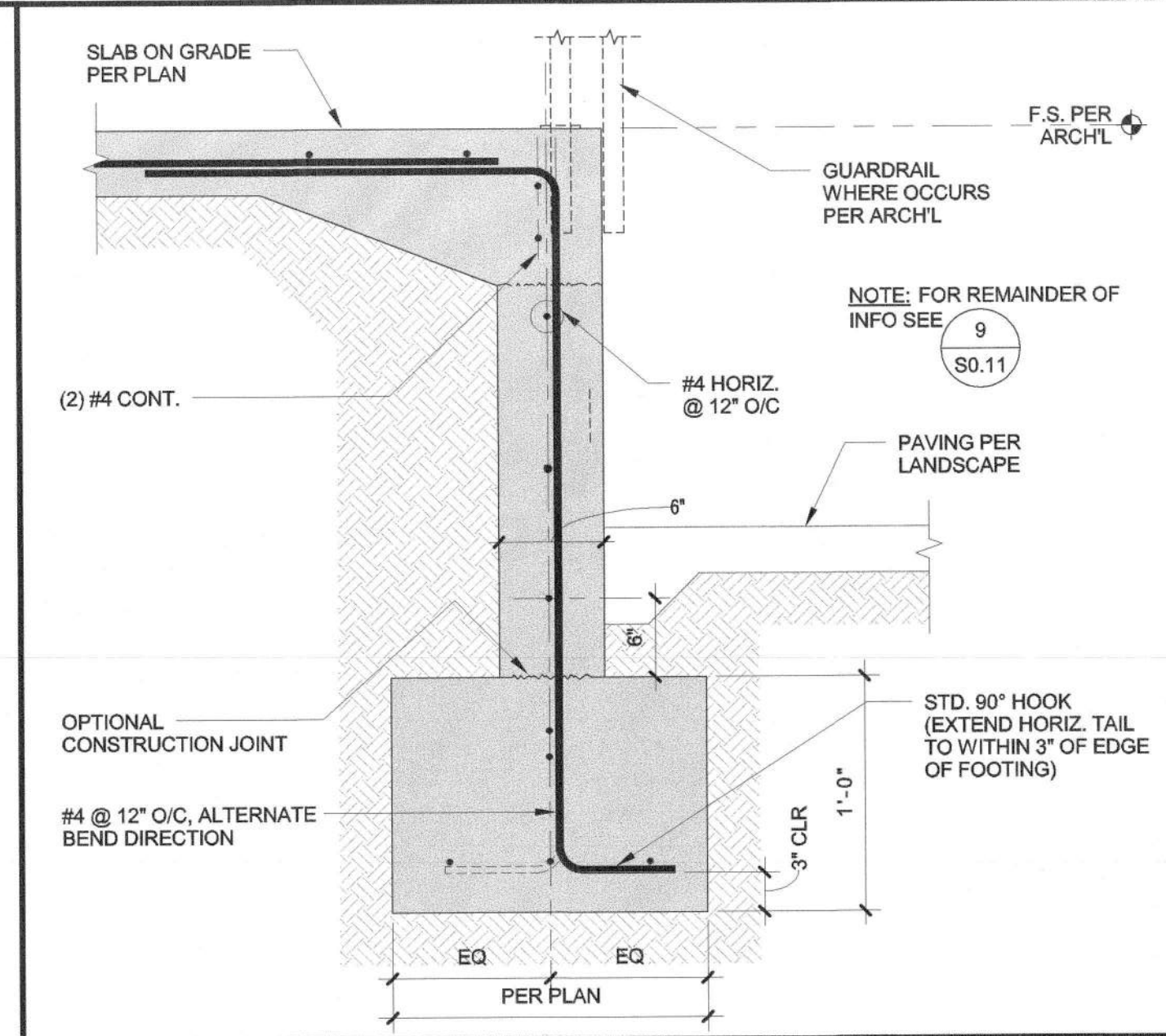
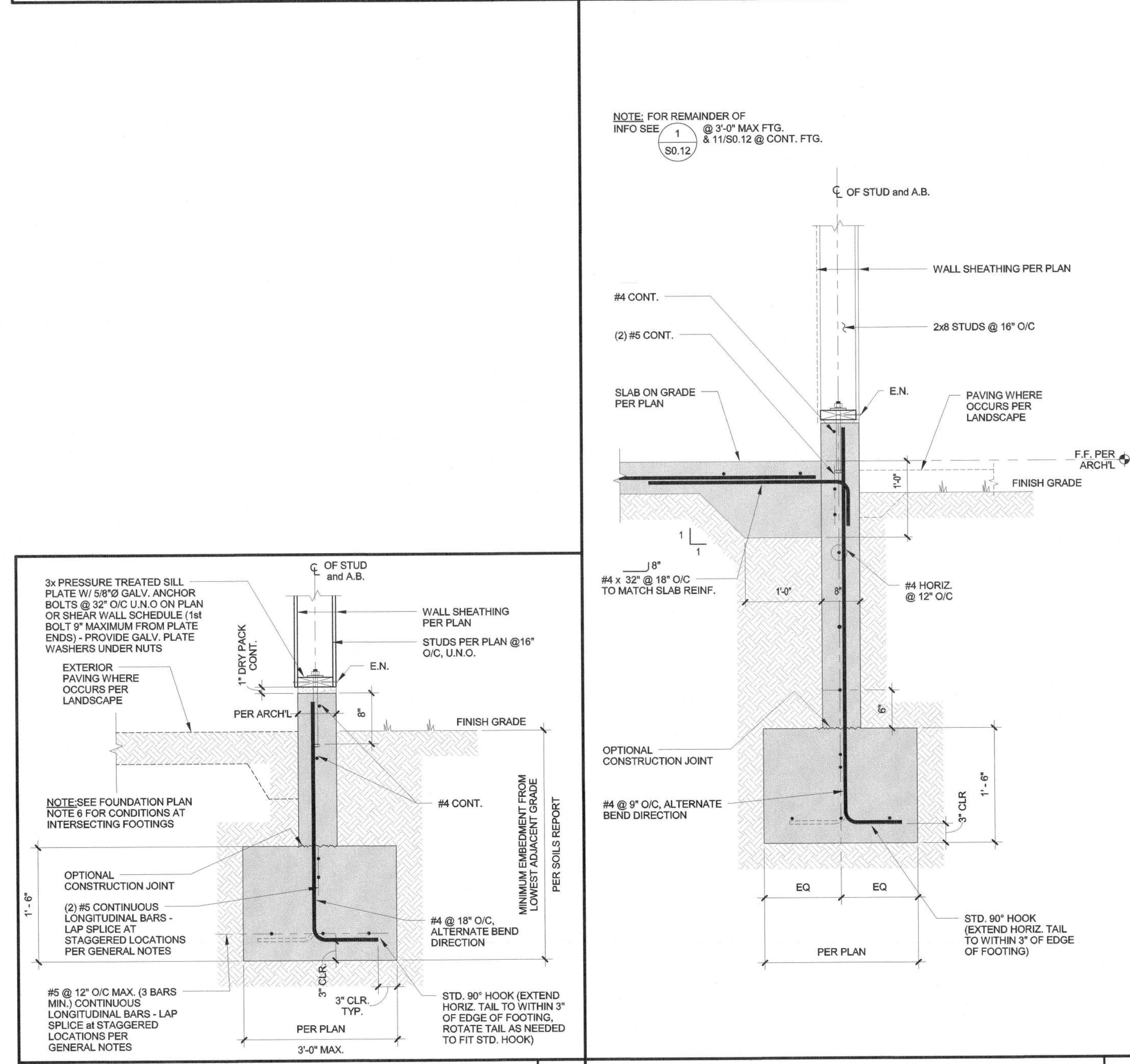
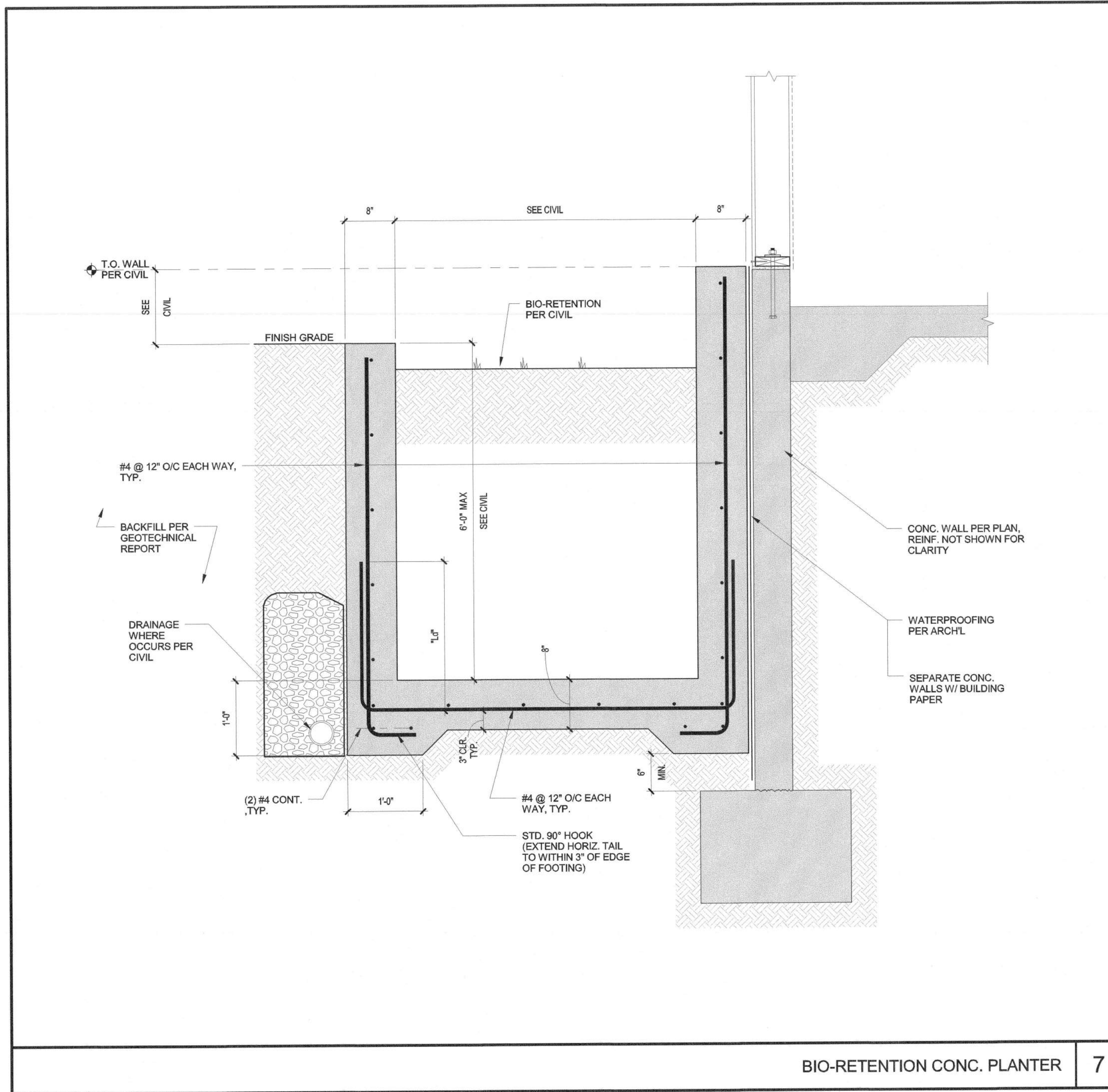


TYPICAL INTERIOR WALL AT DEPRESS SLAB 7



TYP. INTERIOR WALL W/ CURB/FOOTING 3

Revision	Date	Description
01	02/15/19	SCHEMATIC DESIGN
02	05/07/19	DESIGN DEVELOPMENT
03	06/07/19	PERMITS
04	07/27/19	PERMITS
05	08/12/19	PERMITS
06	08/12/19	PERMITS
07	08/12/19	PERMITS



**LPA**  
Professional Engineer  
No. S 4453  
123118  
1/1/17  
STATE OF CALIFORNIA

IDENTIFICATION STAMP  
DIVISION OF THE STATE ARCHITECT  
OFFICE OF REGULATION SERVICE  
APPL # 01-116180  
AC: RLS SS H  
DATE 3-21-17  
FILE NUMBER 43-110

**BUILDING D SCIENCE AND CLASSROOM BUILDINGS, PIEDMONT HILLS HIGH SCHOOL**  
1377 PIEDMONT RD  
SAN JOSE, CA 95132

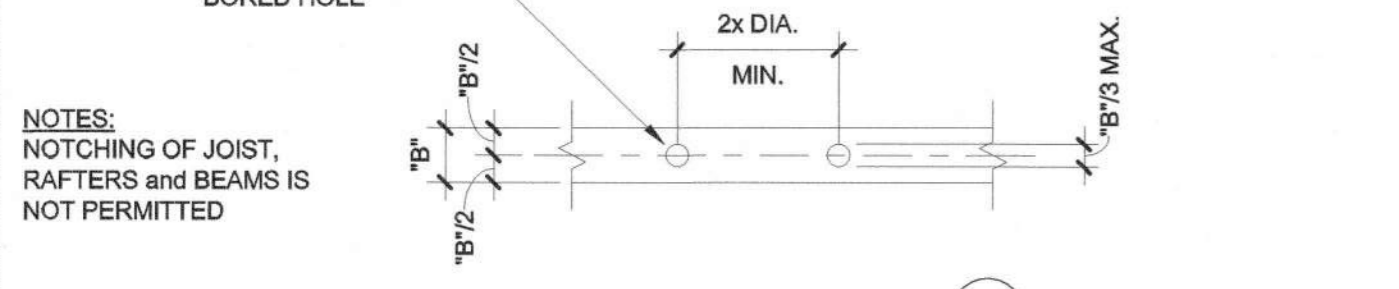
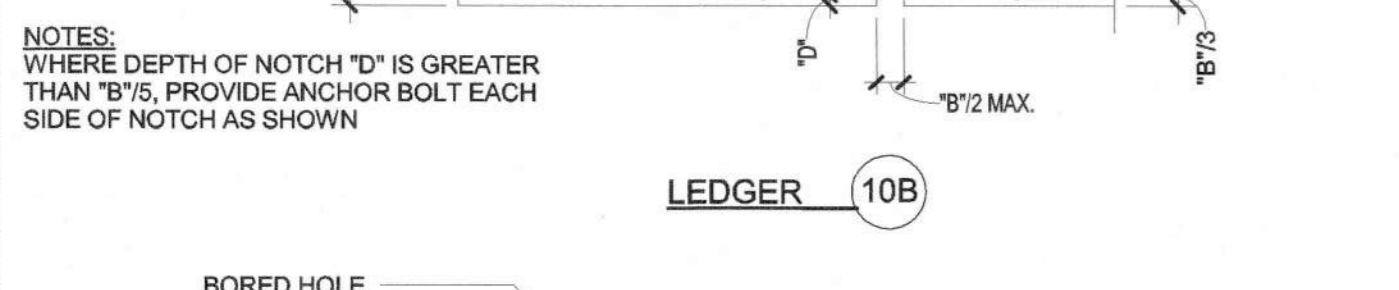
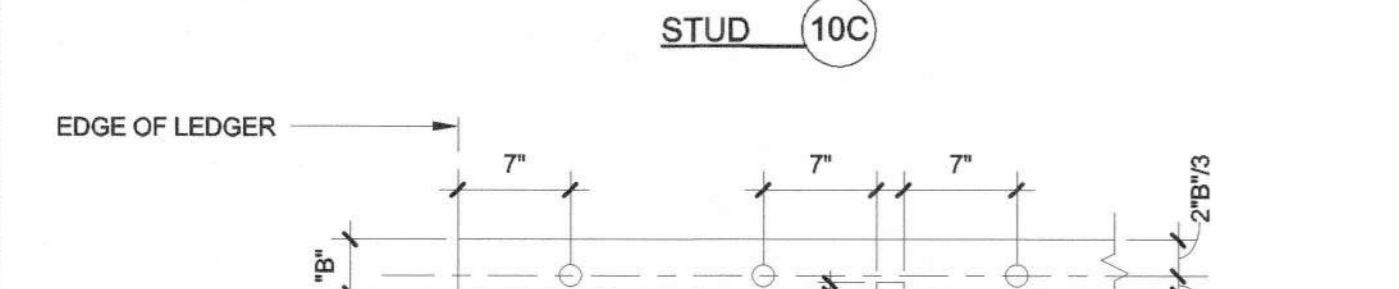
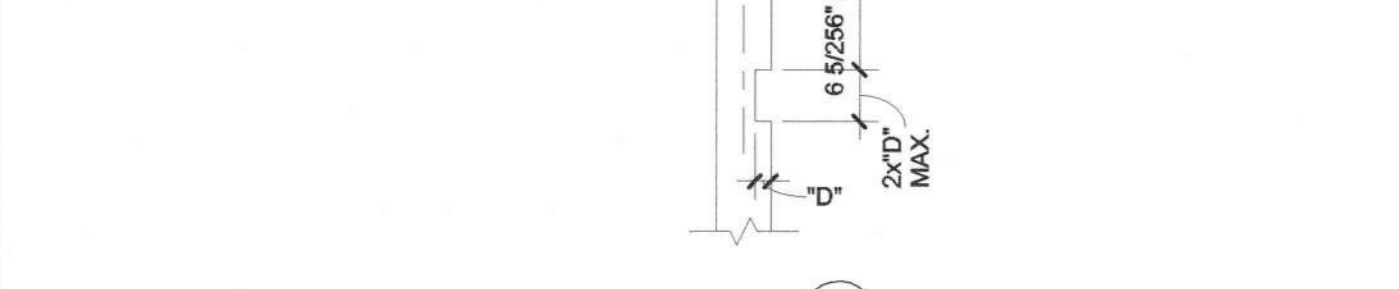
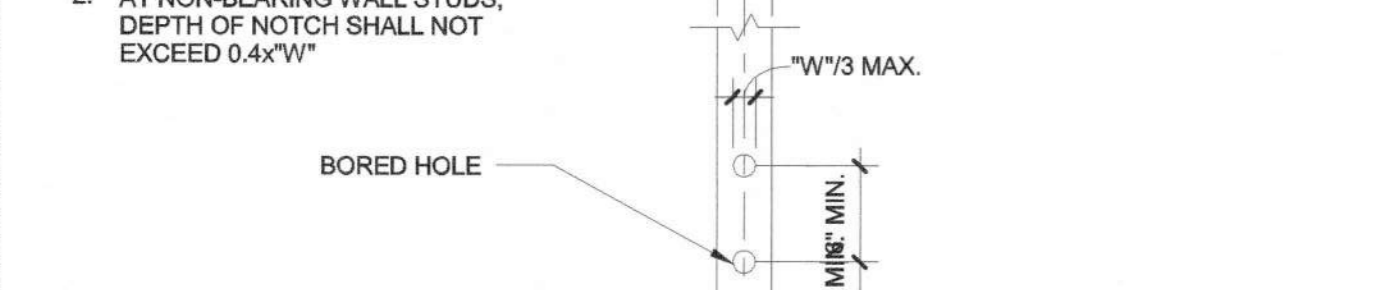
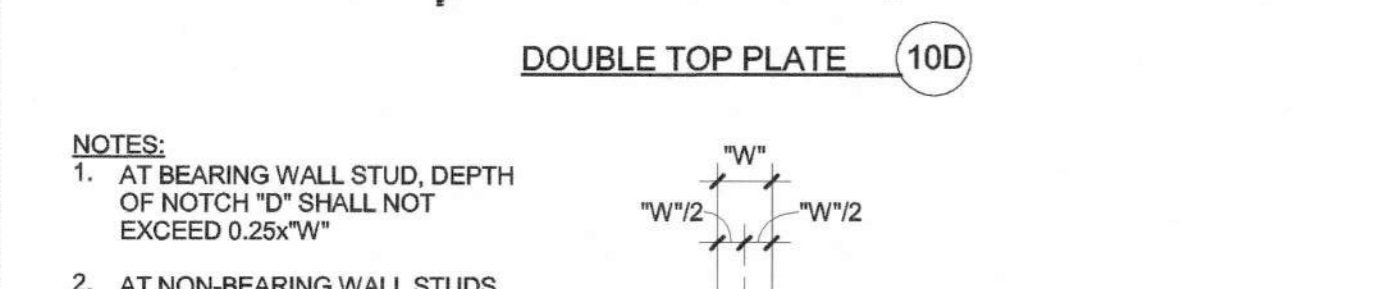
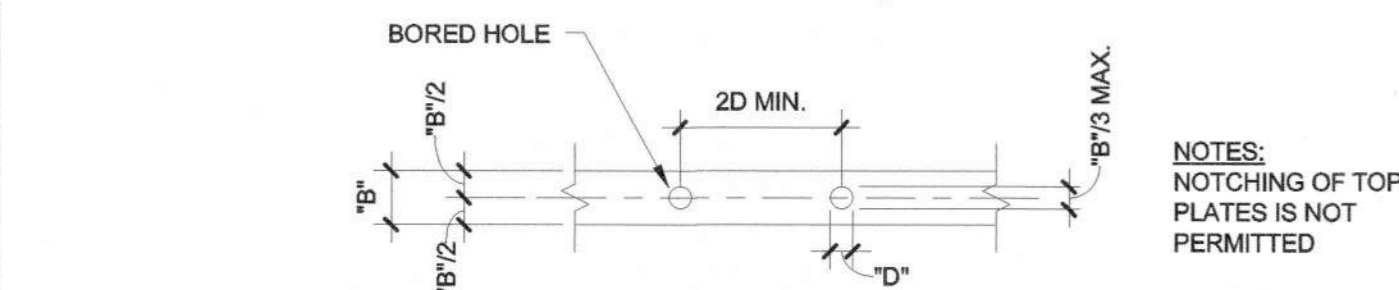
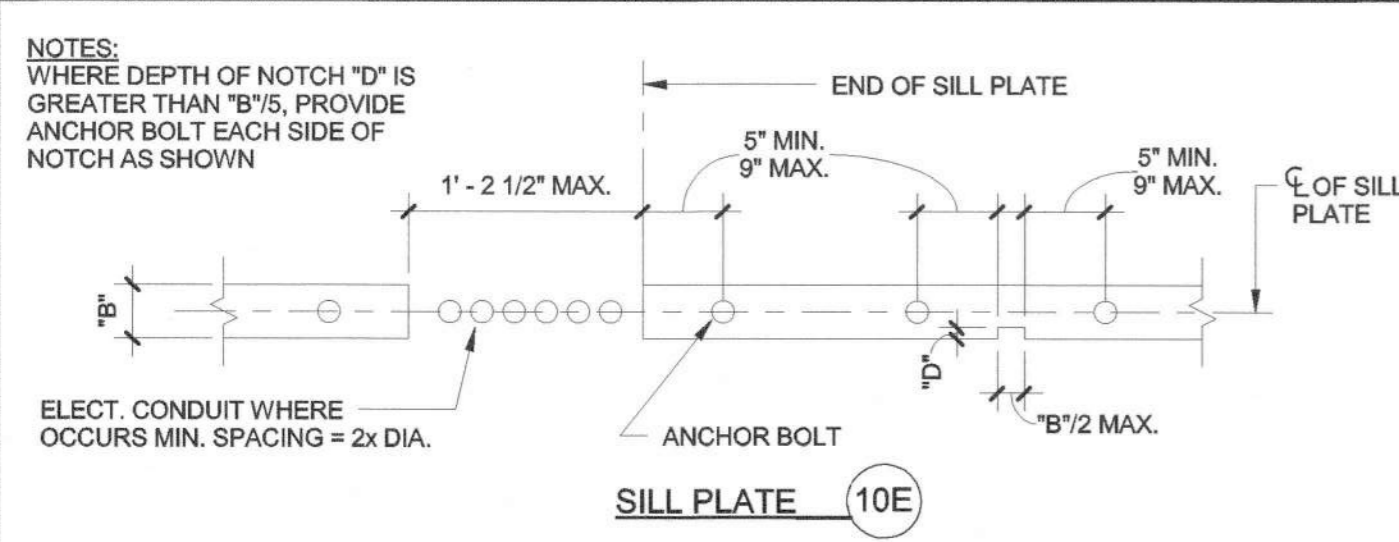
Developed for  
EAST SIDE UNION HIGH SCHOOL DISTRICT

Date	Revision
02/15/16	SCHEMATIC DESIGN
02/15/16	DESIGN DEVELOPMENT
06/15/16	50% CONSTRUCTION DOCUMENTS
07/27/16	60% CONSTRUCTION DOCUMENTS
08/12/16	65% SUBMITTAL
03/08/17	65% APPROVAL

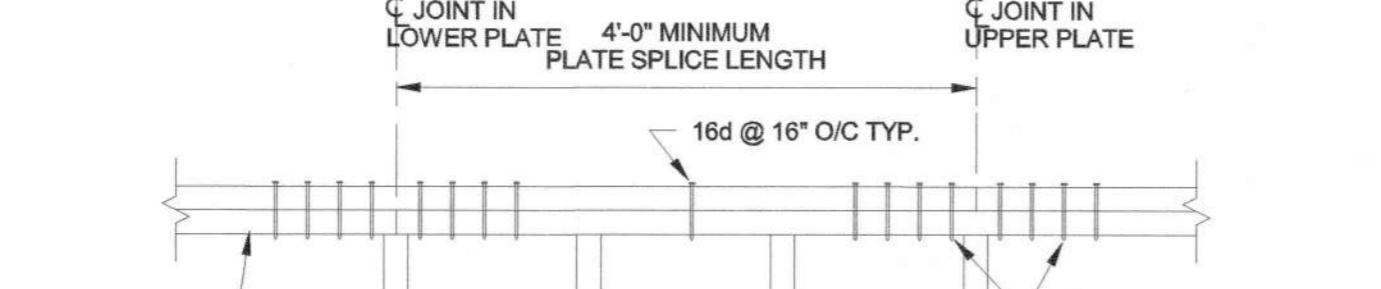
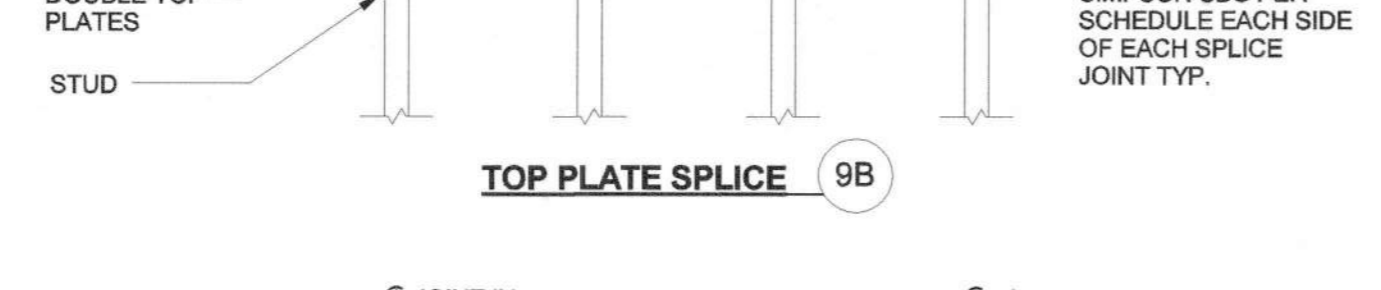
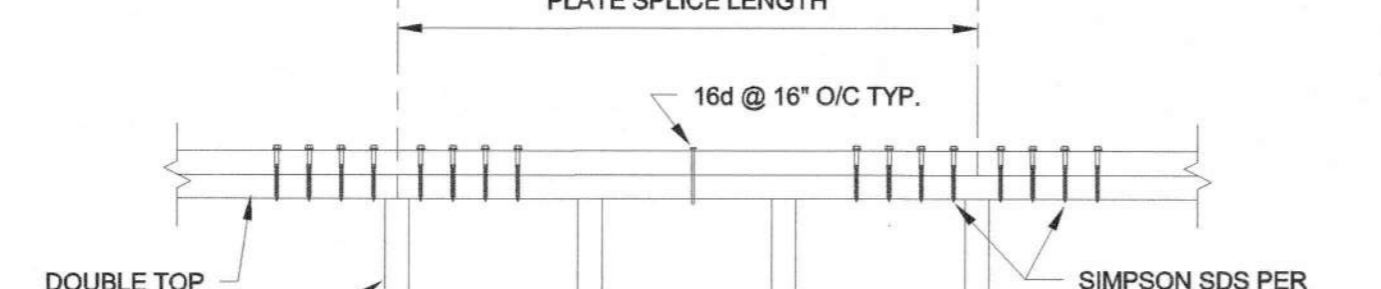
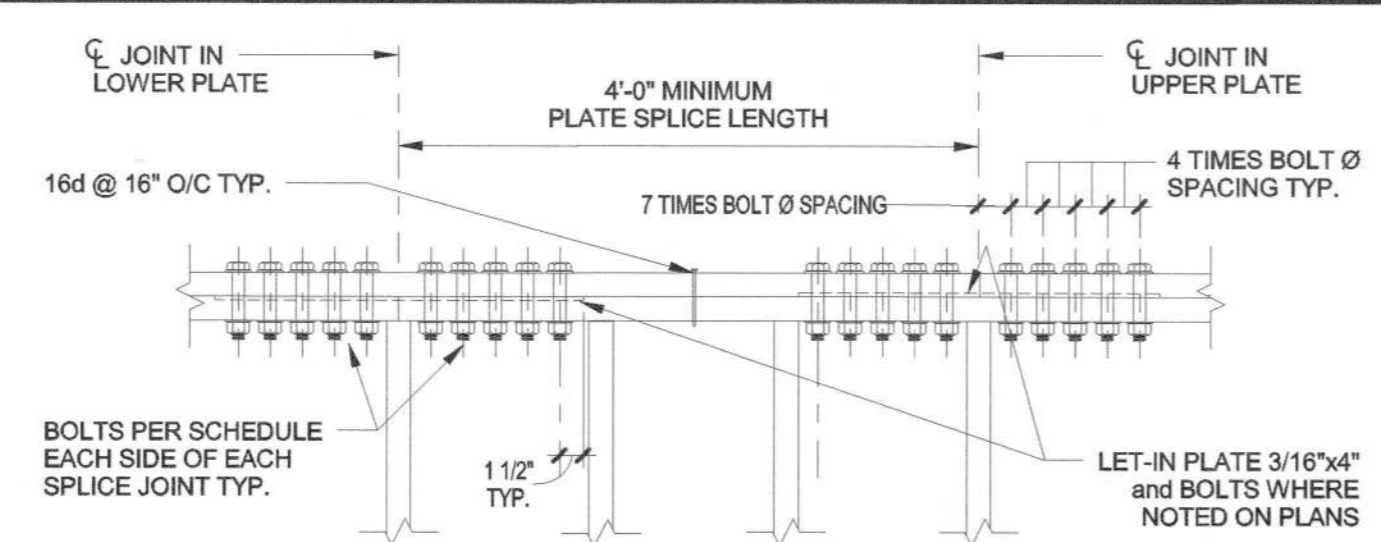
Job No. 1602010  
Date 08/12/2016  
Checked by DW  
Scale As indicated

**TYP. FOUNDATION DETAILS**

S0.13

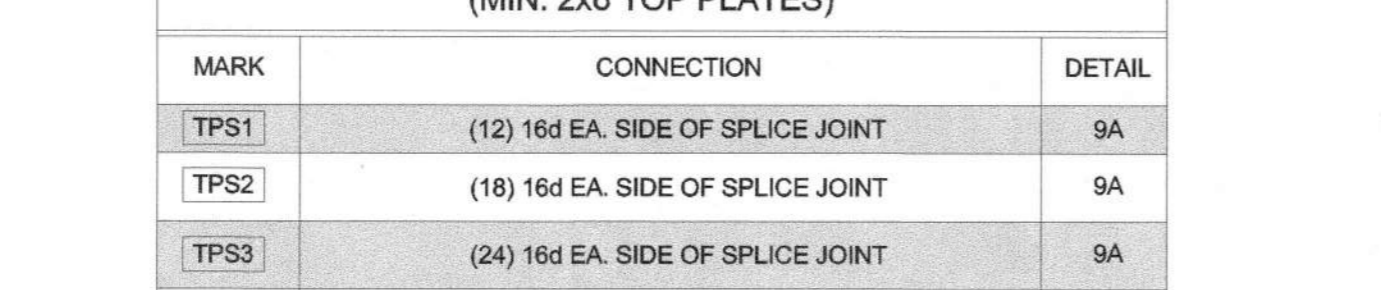


TYP. WOOD LUMBER FRAMING HOLES and NOTCHING 10

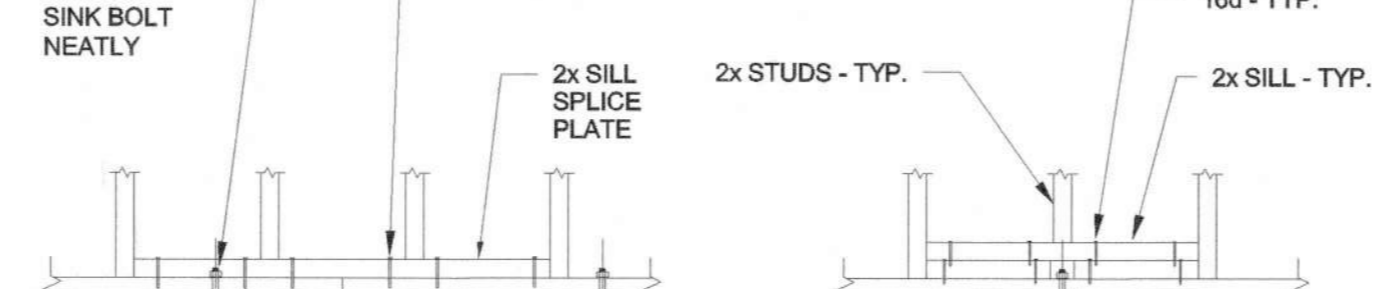
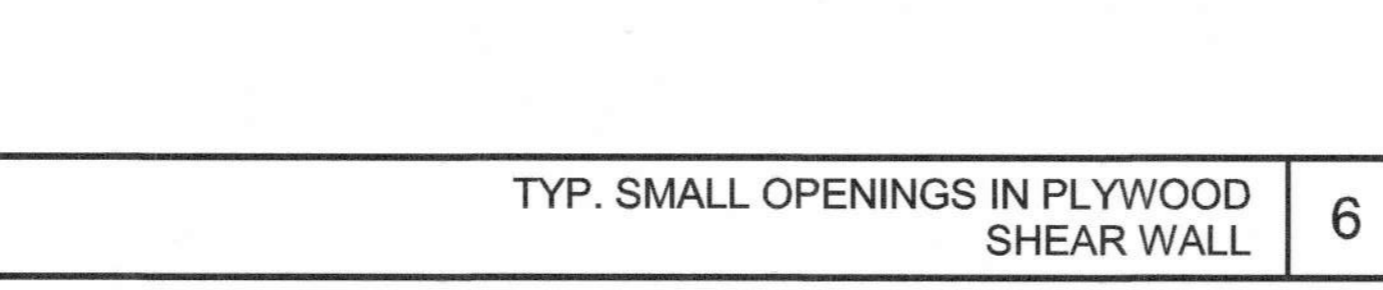
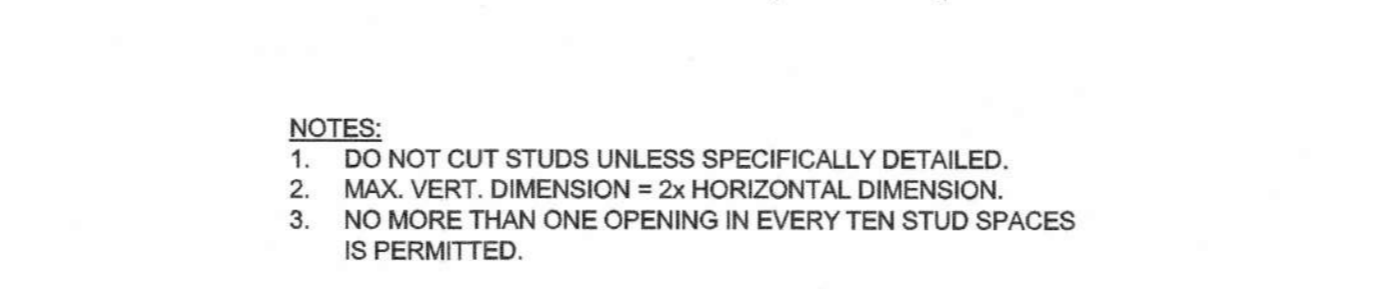
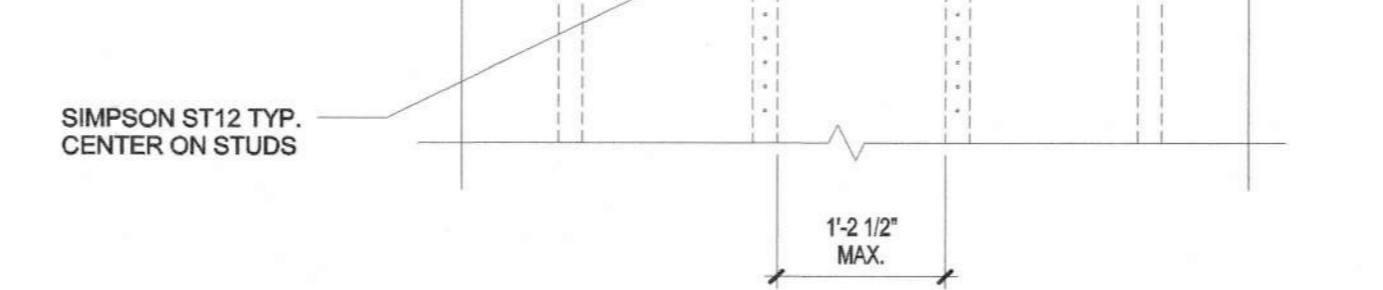
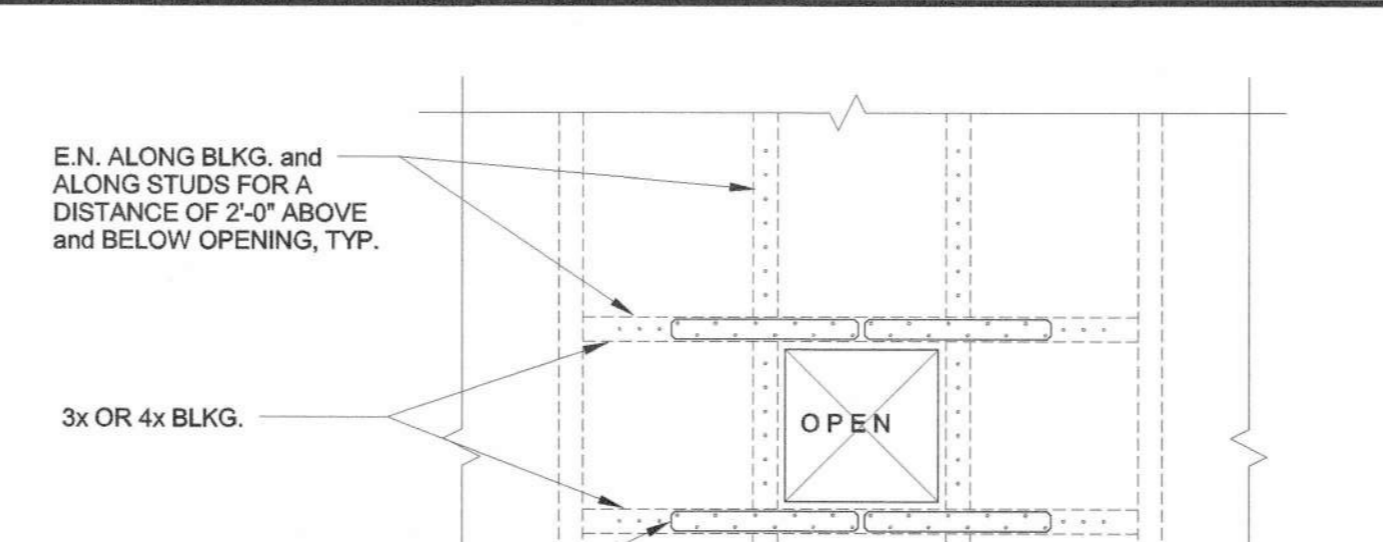


**SPLICE SCHEDULE (MIN. 2x6 TOP PLATES)**

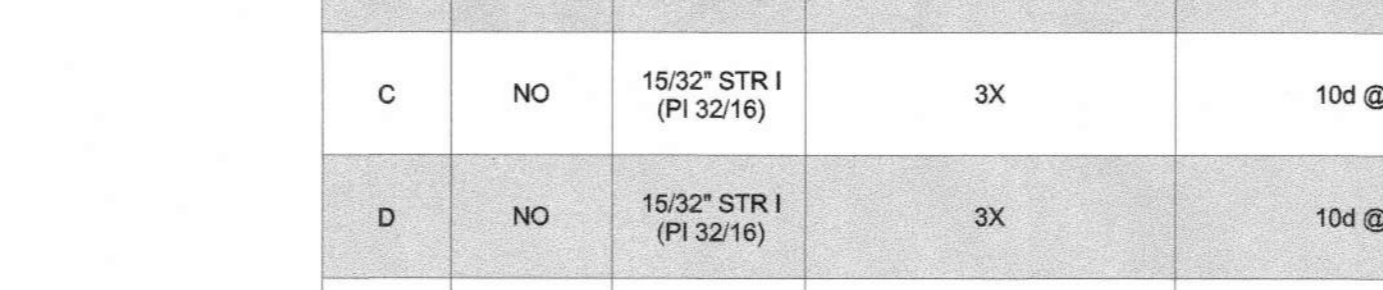
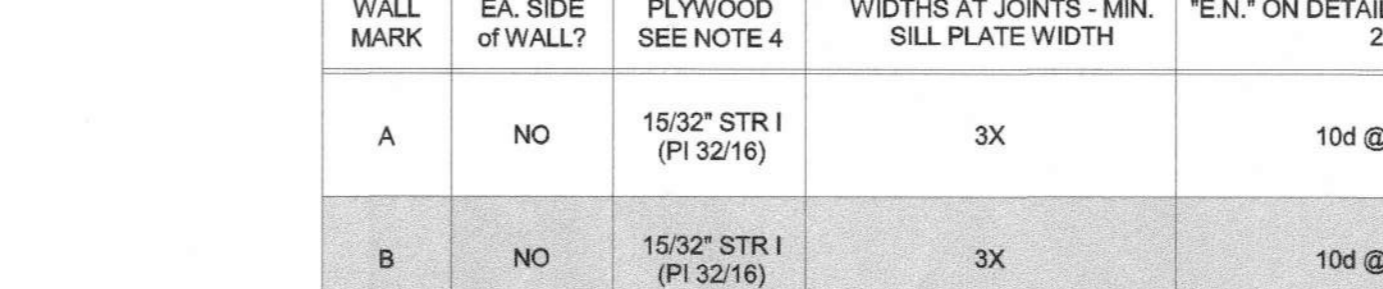
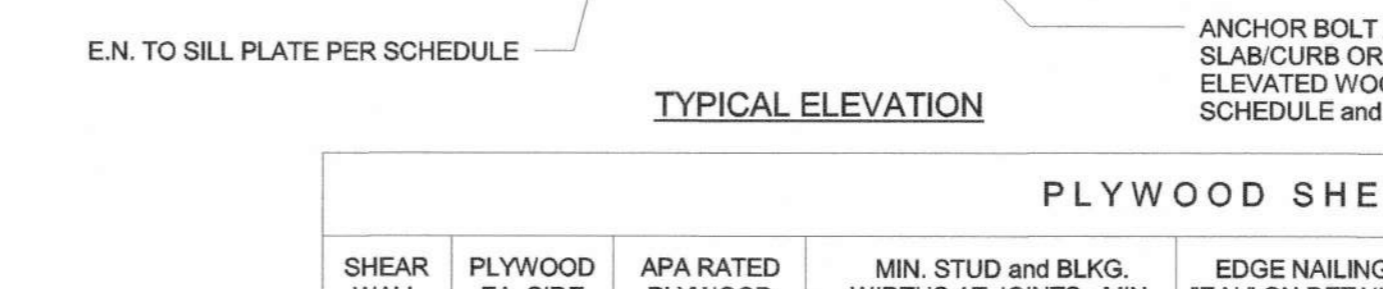
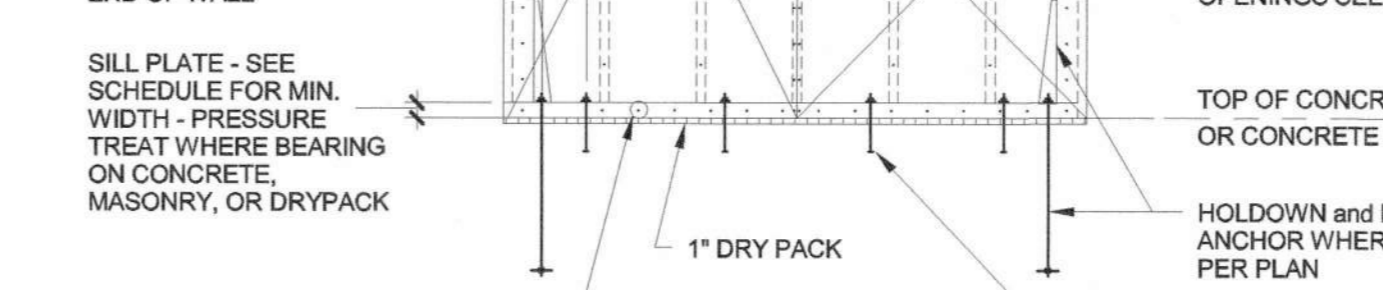
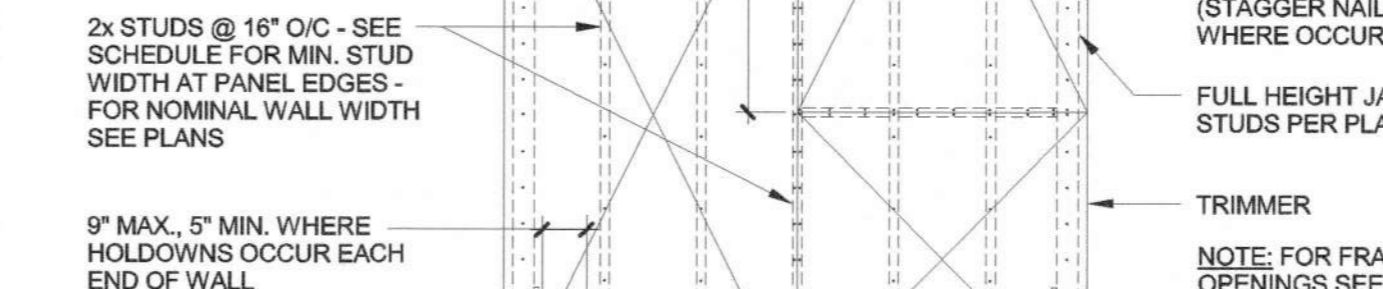
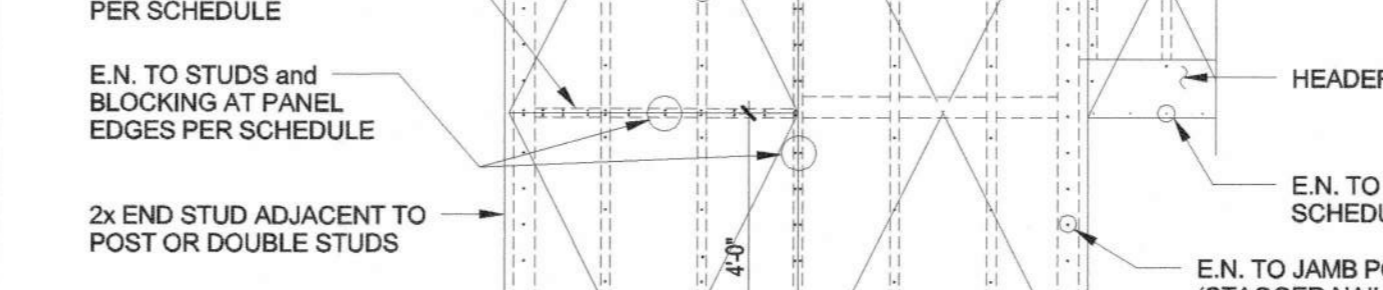
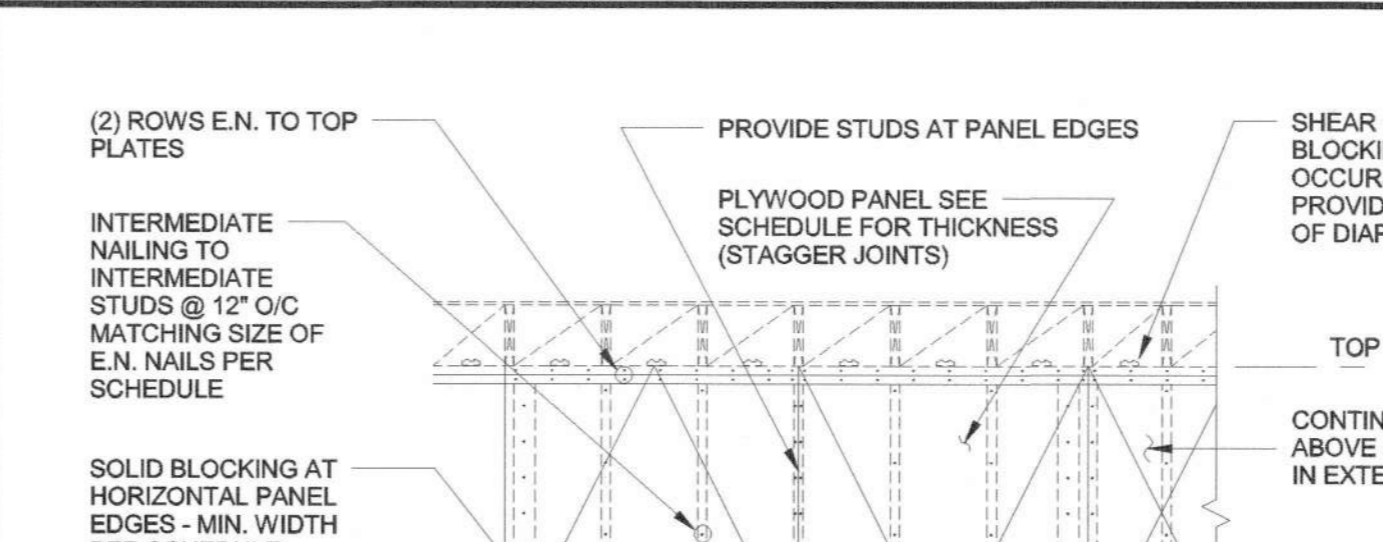
MARK	CONNECTION	DETAIL
TPS1	(12) 16d EA. SIDE OF SPLICE JOINT	9A
TPS2	(18) 16d EA. SIDE OF SPLICE JOINT	9A
TPS3	(24) 16d EA. SIDE OF SPLICE JOINT	9A
TPS4	(18) SIMPSON 14x3 SDS SCREW EA. SIDE OF SPLICE JOINT	9B
TPS5	(24) SIMPSON 14x3 SDS SCREW EA. SIDE OF SPLICE JOINT	9B
TPS6	(30) SIMPSON 14x3 SDS SCREW EA. SIDE OF SPLICE JOINT	9B
TPS7	(4) 3/4" A307 THRU BOLTS EA. SIDE OF SPLICE JOINT W/ STD. CUT WASHERS	9C
TPS8	(6) 3/4" A307 THRU BOLTS EA. SIDE OF SPLICE JOINT W/ STD. CUT WASHERS	9C



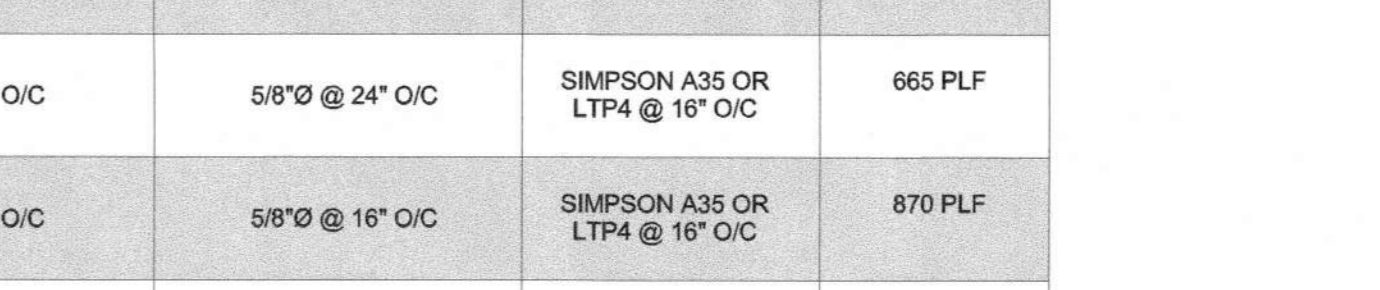
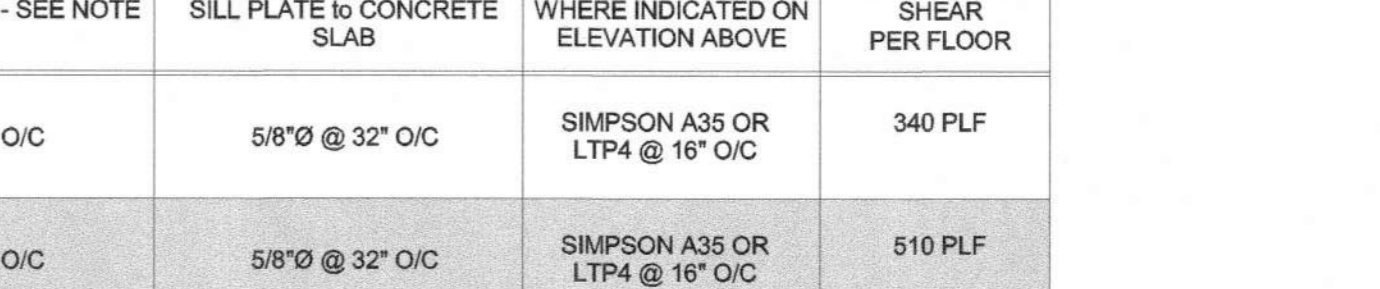
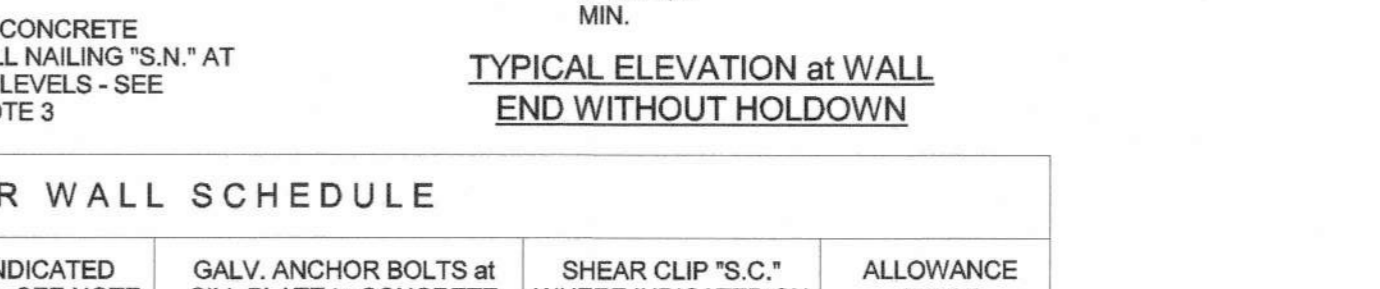
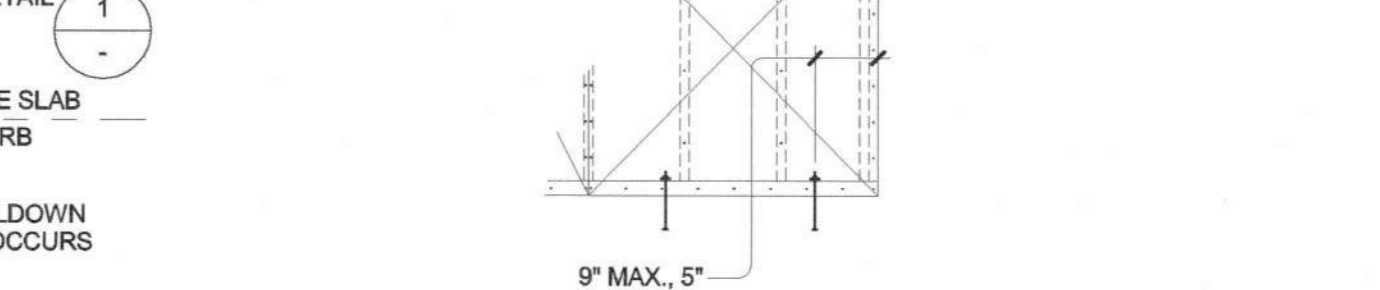
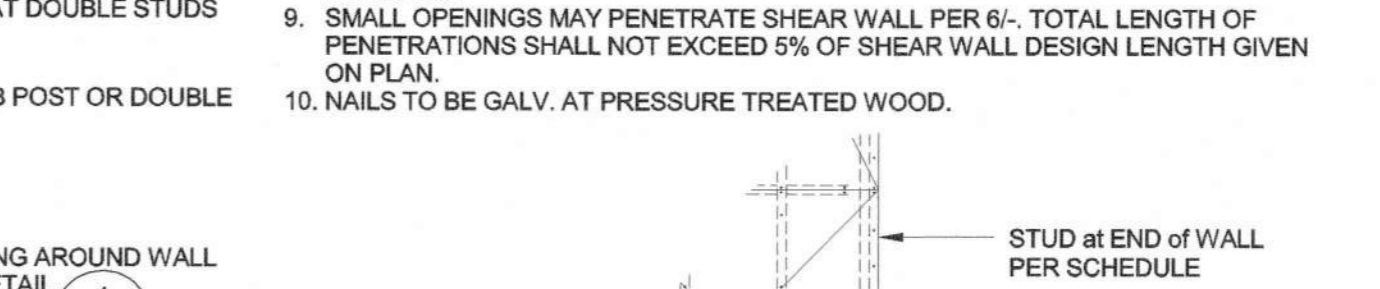
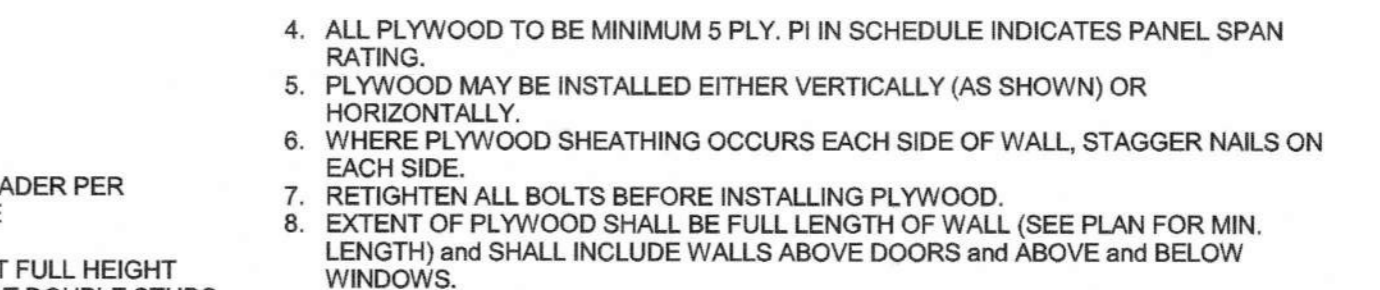
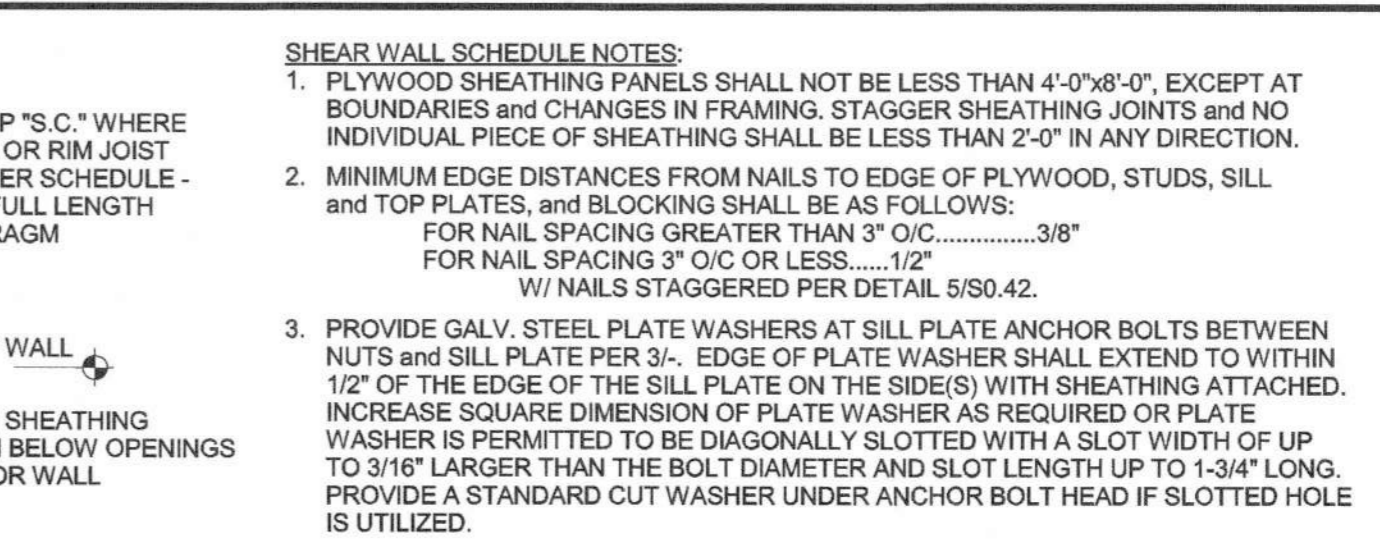
TYP. DOUBLE TOP PLATE SPLICE SCHED. and DTLS. 9



TYP. SMALL OPENINGS IN PLYWOOD SHEAR WALL 6



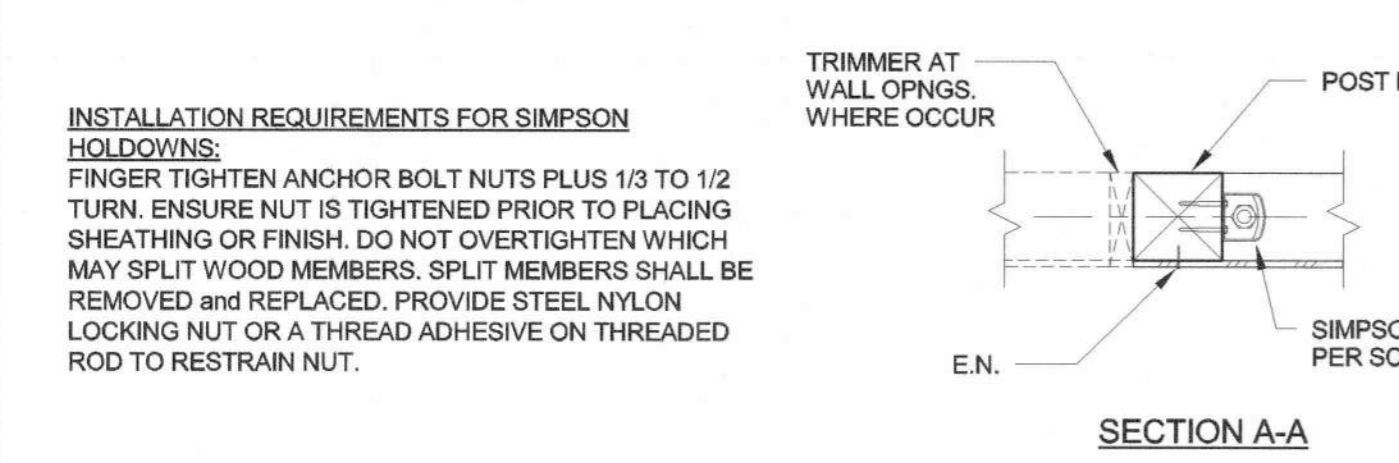
TYP. SILL PLATE DETAIL at SPLICES and CONFLICT W/ A.B.'s 5



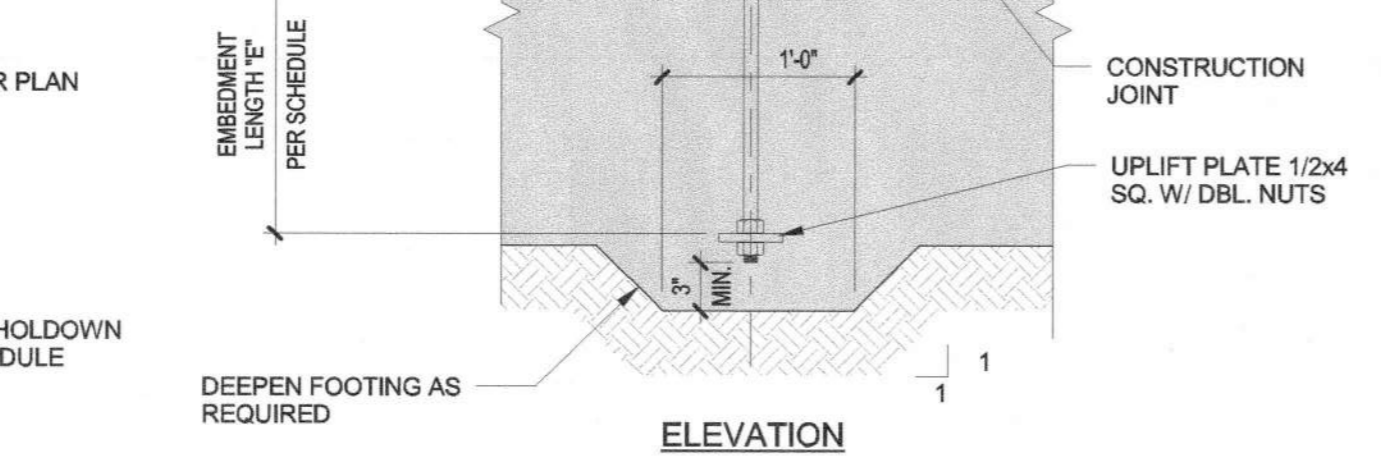
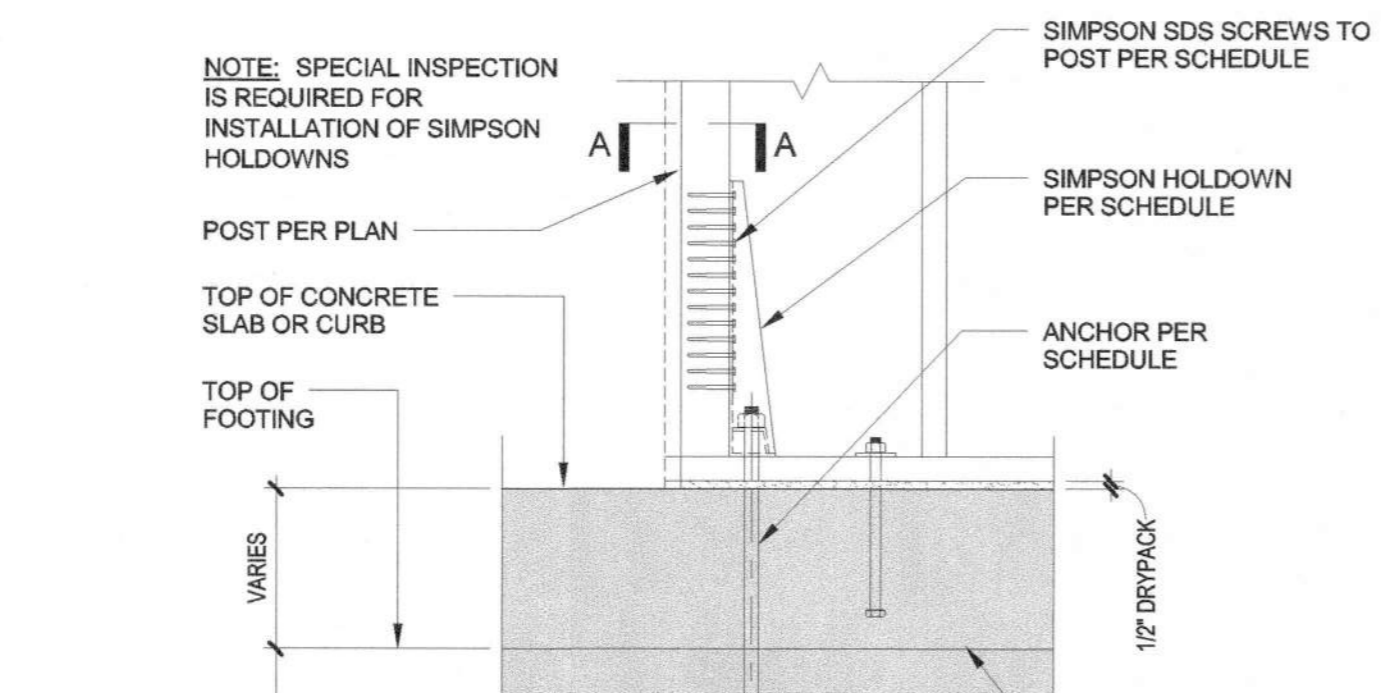
TYP. PLYWOOD SHEAR WALL FRAMING and SCHEDULE 2

**HOLDOWN SCHEDULE**

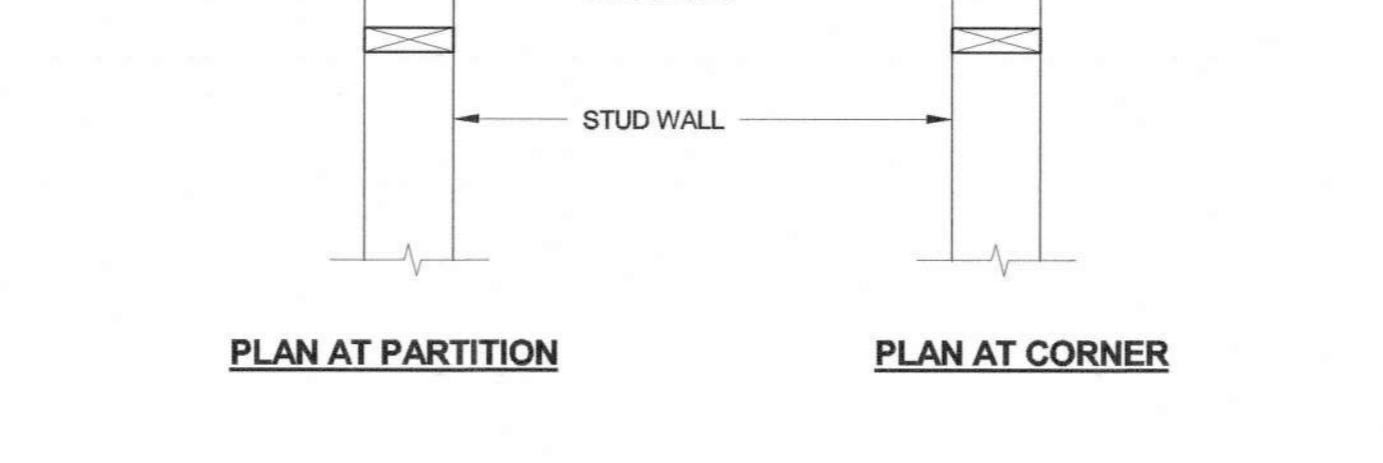
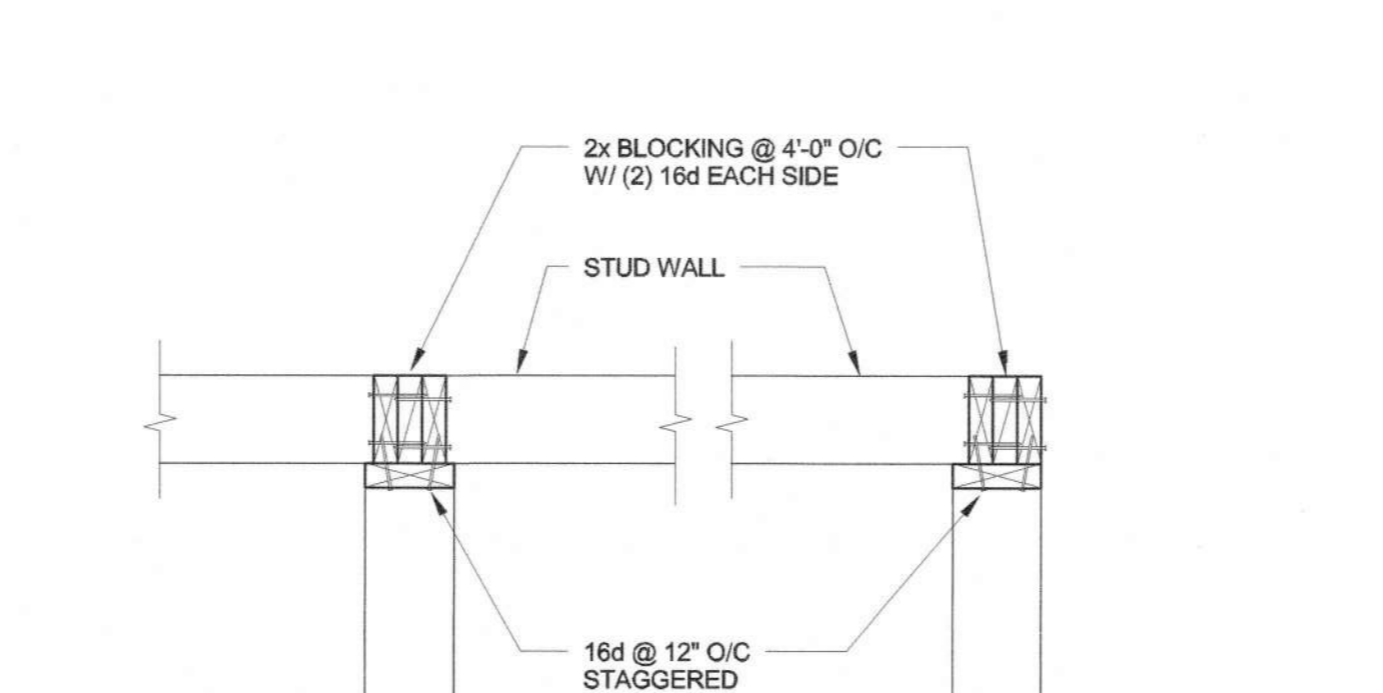
HOLDOWN MARK	SIMPSON MODEL	ANCHOR	EMBED LENGTH "E" (MIN.)	SIMPSON SDS SCREWS TO POST
HDU2	HDU2 - SDS2.5	5/8" ASTM F1554, GR. 55	9"	(6) 1/4x2 1/2" SDS SCREWS
HDU4	HDU4 - SDS2.5	5/8" ASTM F1554, GR. 55	9"	(10) 1/4x2 1/2" SDS SCREWS
HDU5	HDU5 - SDS2.5	5/8" ASTM F1554, GR. 55	9"	(14) 1/4x2 1/2" SDS SCREWS
HDQ8	HDQ8 - SDS3	7/8" ASTM F1554, GR. 55	9"	(20) 1/4x3" SDS SCREWS
HHQ11	HHQ11 - SDS2.5	1" ASTM F1554, GR. 55	12"	(24) 1/4x2 1/2" SDS SCREWS
HHQ14	HHQ14 - SDS2.5	1" ASTM F1554, GR. 55	12"	(30) 1/4x2 1/2" SDS SCREWS
HD19	HD19	1 1/4" ASTM F1554, GR. 55	16"	(5) 1" BOLTS



TYPICAL HOLDOWN SCHEDULE and DETAIL 8

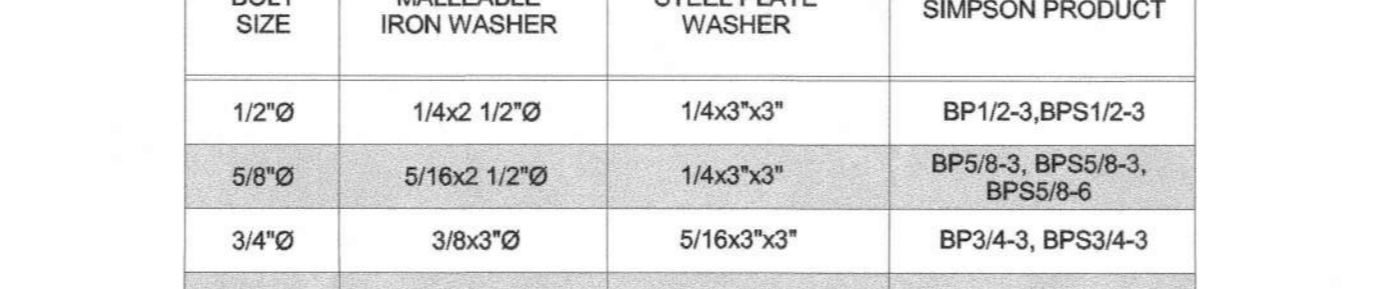


WOOD STUD WALL INTERSECTIONS 4

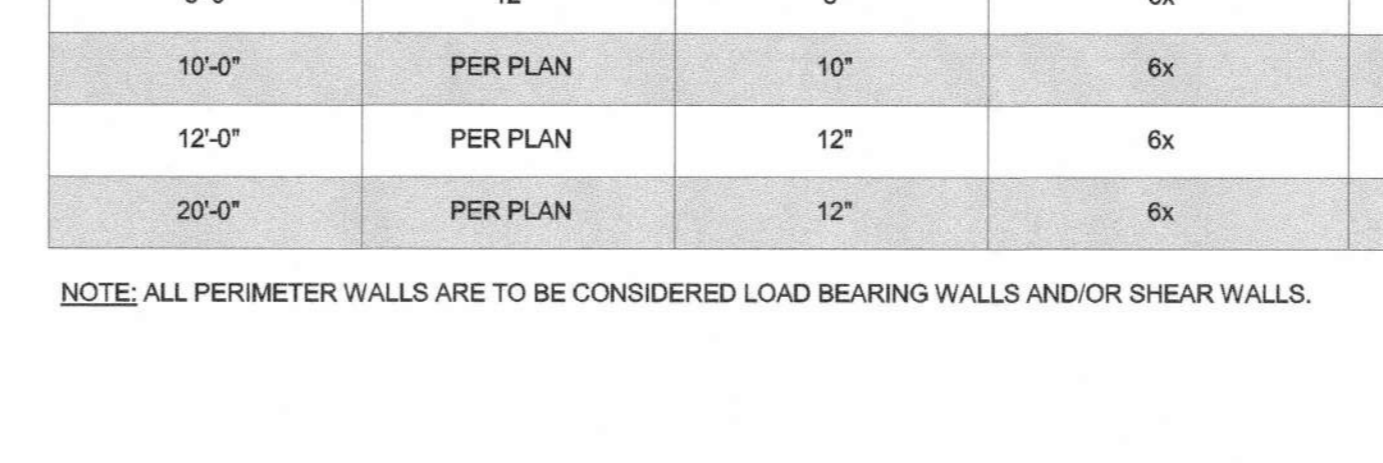
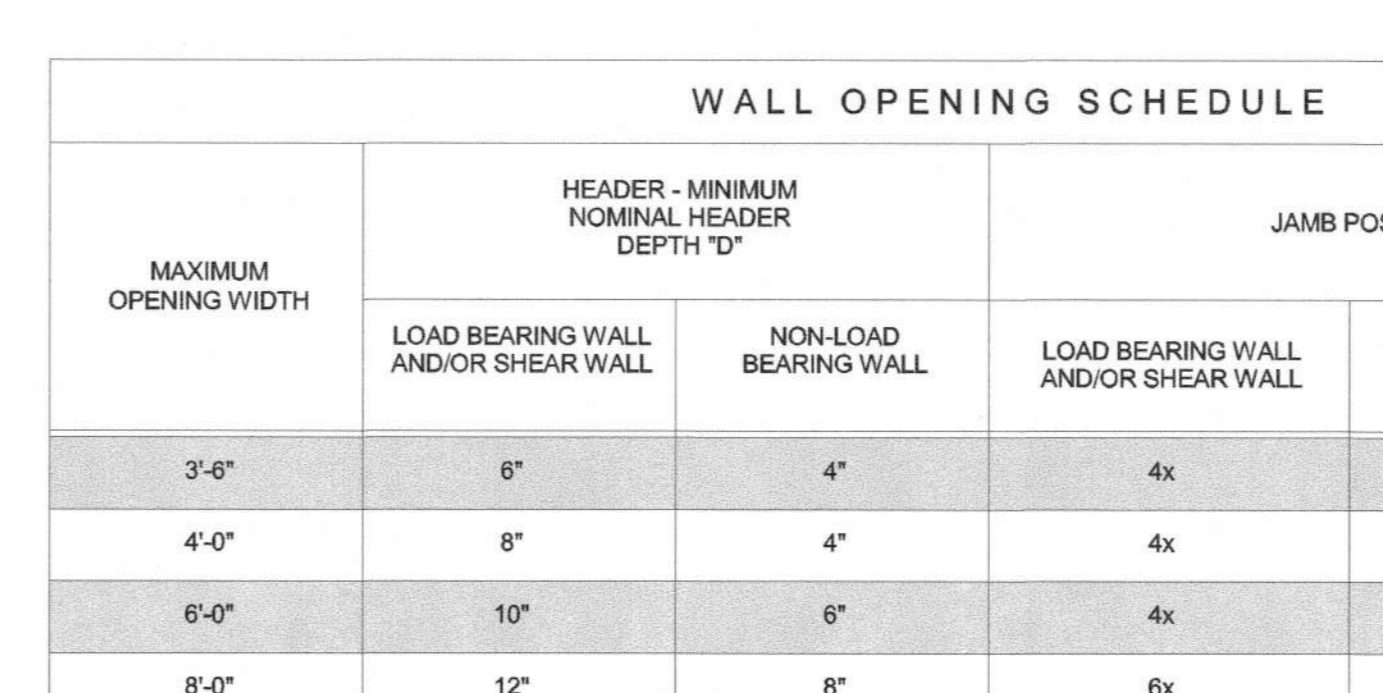


WALL OPENING SCHEDULE

MAXIMUM OPENING WIDTH	HEADER - MINIMUM NOMINAL DEPTH "D"		JAMB POST		TRIMMER WIDTH
	LOAD BEARING WALL AND/OR SHEAR WALL	NON-LOAD BEARING WALL	LOAD BEARING WALL AND/OR SHEAR WALL	NON-LOAD BEARING WALL	
3'-0"	6"	4"	4x	(2) 2x	2x
4'-0"	8"	4"	4x	(2) 2x	2x
6'-0"	10"	6"	4x	(2) 2x	2x
8'-0"	12"	8"	6x	(3) 2x	3x
10'-0"	PER PLAN	10"	6x	(3) 2x	3x
12'-0"	PER PLAN	12"	6x	6x	3x
20'-0"	PER PLAN	12"	6x	6x	3x



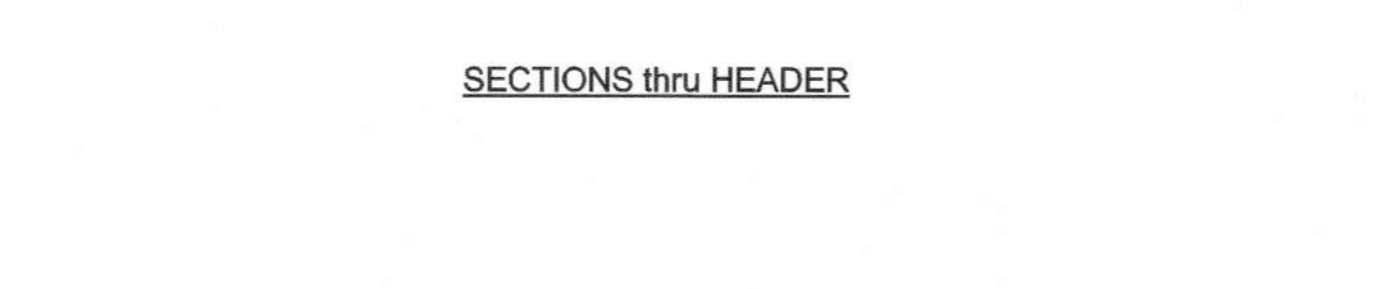
TYP. WALL CONSTRUCTION AT CORNERS and INTERSECTIONS WHERE POST and HOLDOWNS OCCUR IN SHEAR WALL 7



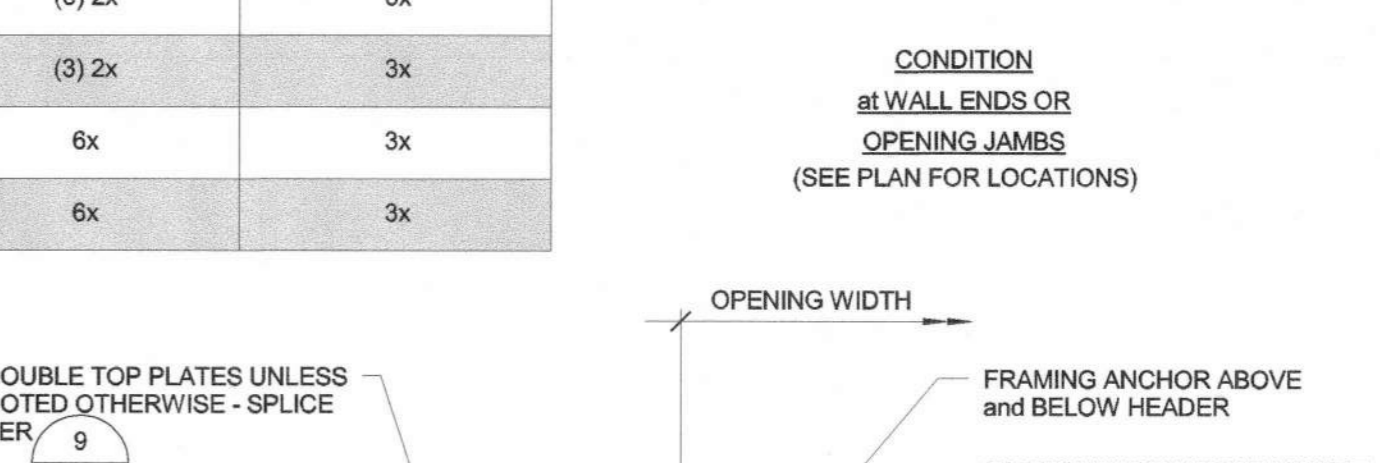
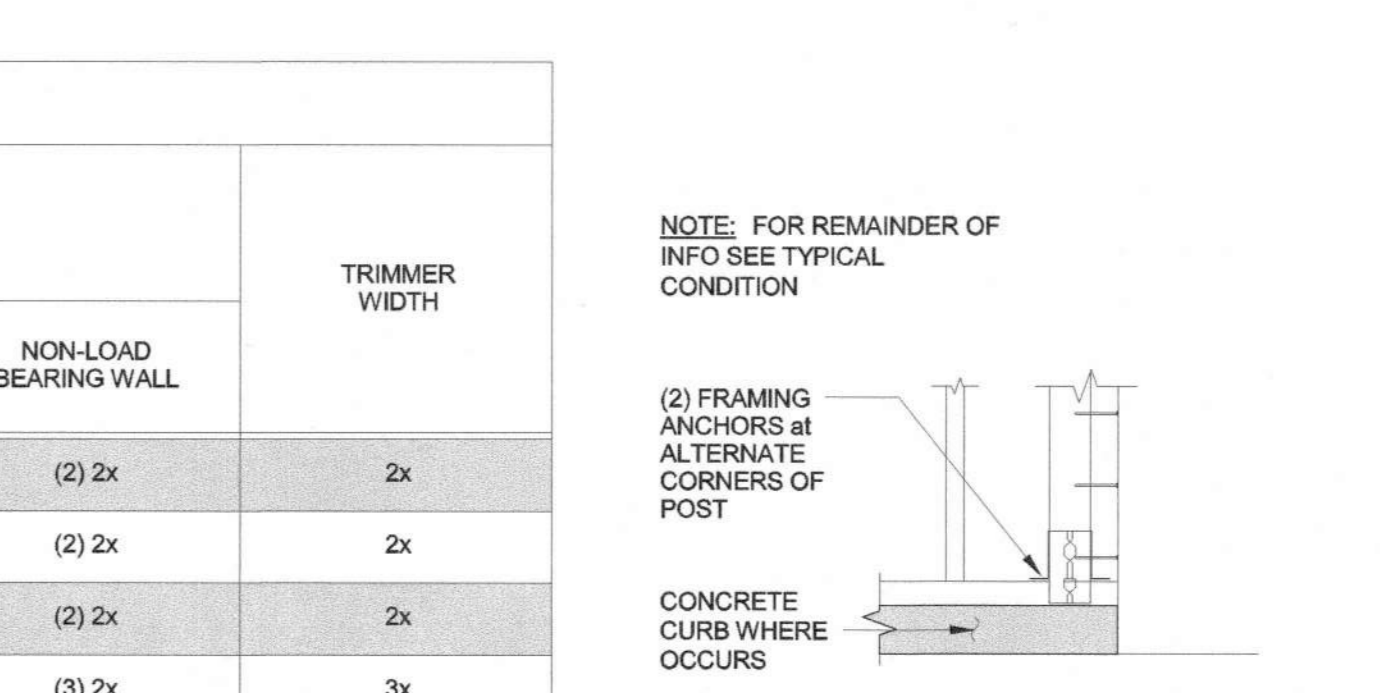
WOOD FRAMING WASHER SCHEDULE 3

**WASHER SCHEDULE**

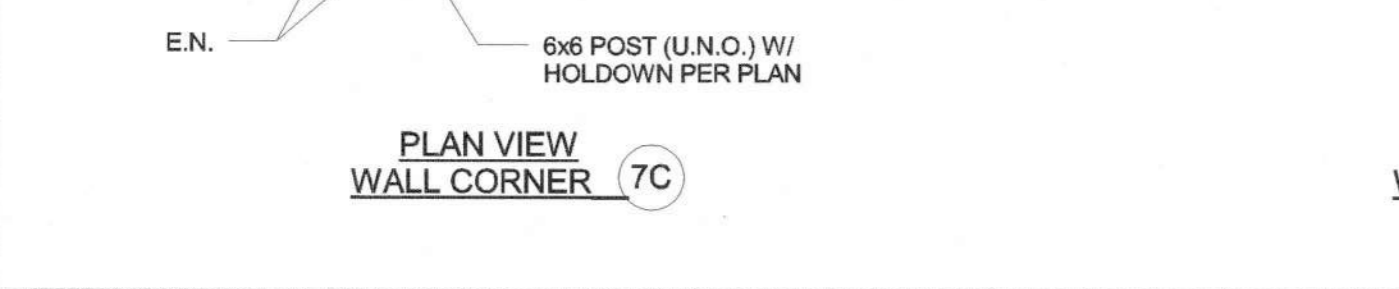
BOLT SIZE	MALLEABLE IRON WASHER	STEEL PLATE WASHER	SIMPSON PRODUCT
1/2"	1/4x2 1/2"	1/4x3"x3"	BP1/2-3, BPS1/2-3
5/8"	5/16x2 1/2"	1/4x3"x3"	BPS5/8-3, BPS5/8-6
3/4"	3/8x3"	5/16x3"x3"	BP3/4-3, BPS3/4-3
7/8"	7/16x3 1/2"	5/16x3"x3"	BP7/8
1"	1/2x4"	3/8x3 1/2"x3 1/2"	BP1



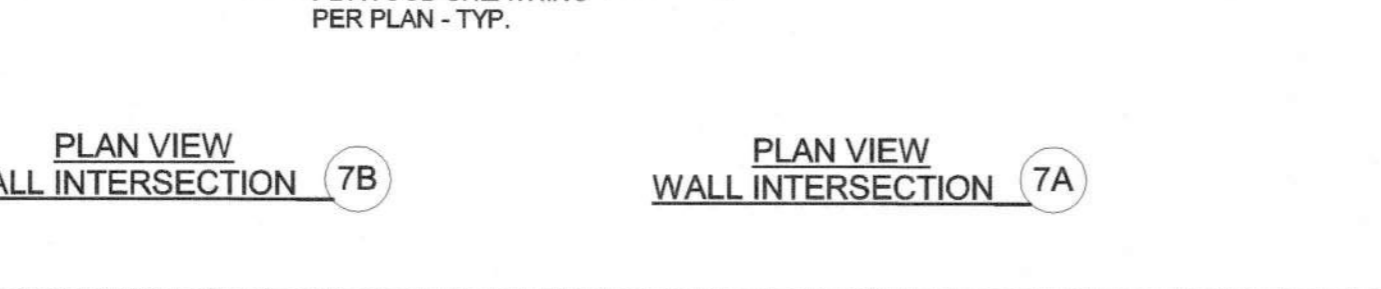
TYP. WOOD FRAMING WASHER SCHEDULE 3



TYPICAL WOOD STUD WALL CONSTRUCTION at OPENING and WALL ENDS 1



TYP. WALL CONSTRUCTION AT CORNERS and INTERSECTIONS WHERE POST and HOLDOWNS OCCUR IN SHEAR WALL 7



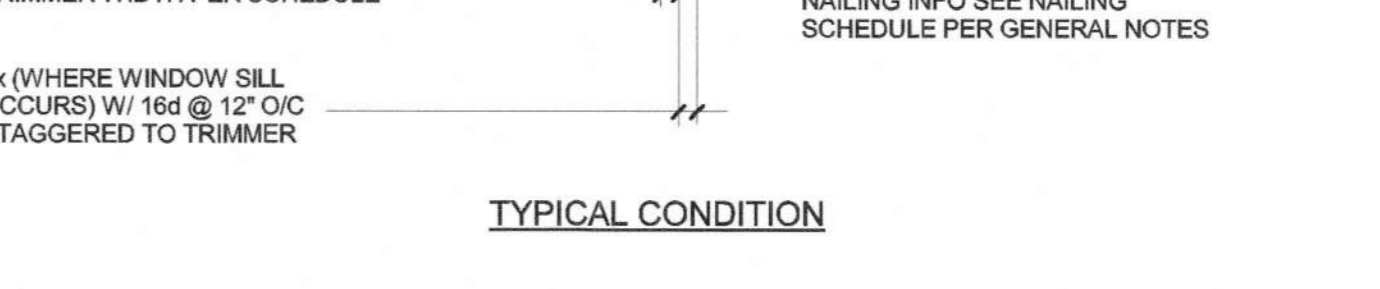
TYP. WOOD FRAMING WASHER SCHEDULE 3



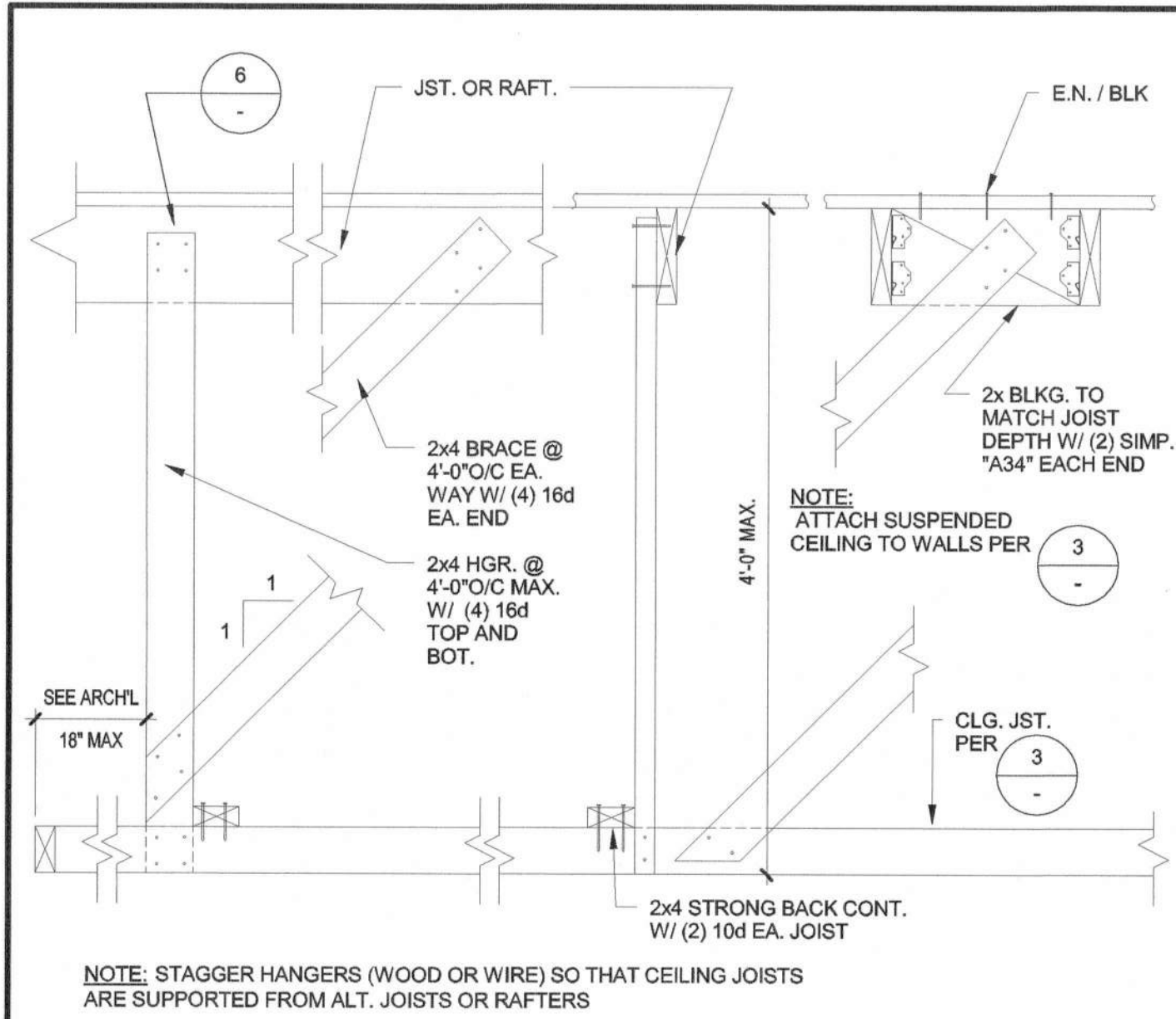
TYPICAL WOOD STUD WALL CONSTRUCTION at OPENING and WALL ENDS 1



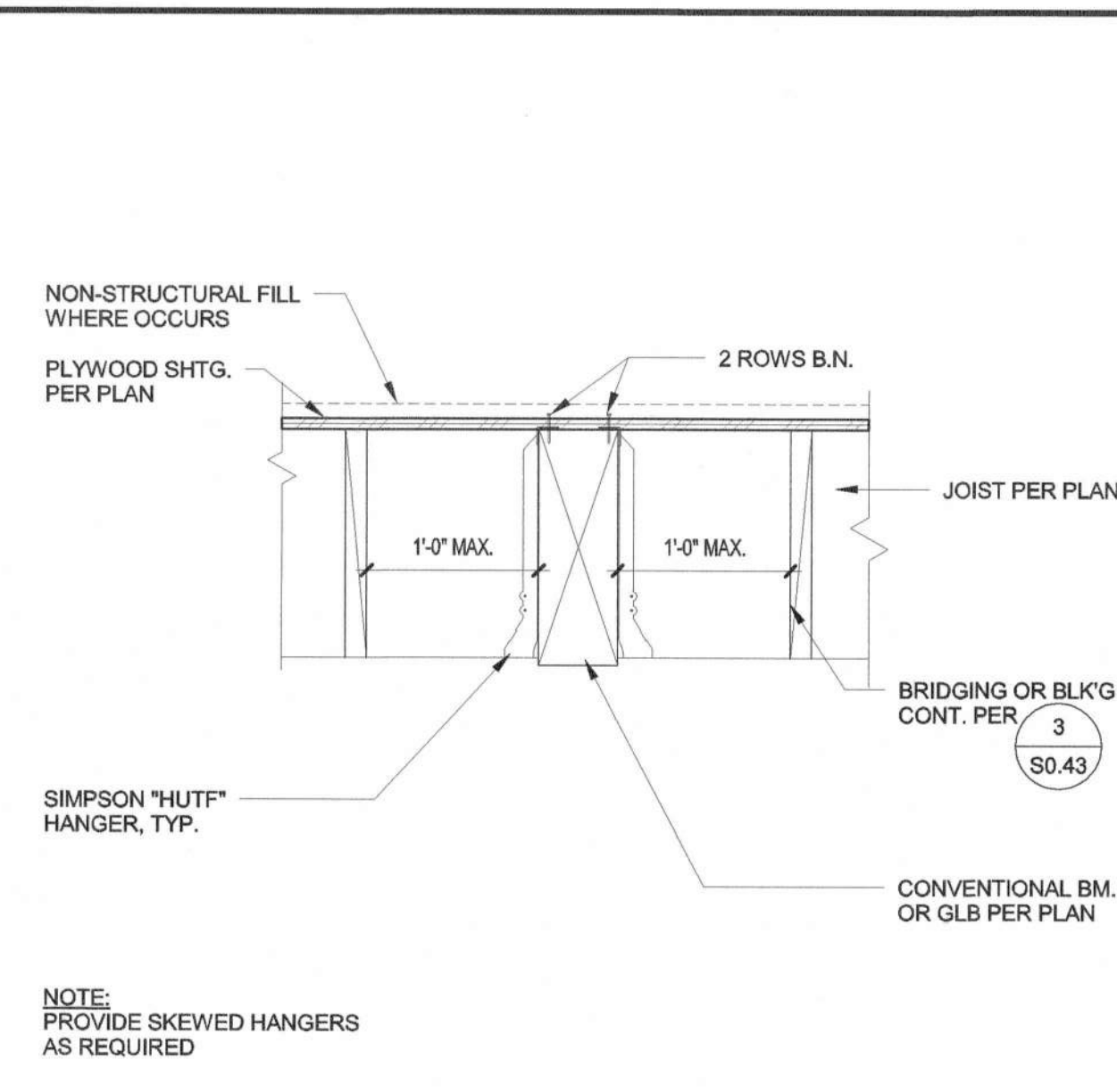
TYPICAL WOOD STUD WALL CONSTRUCTION at OPENING and WALL ENDS 1



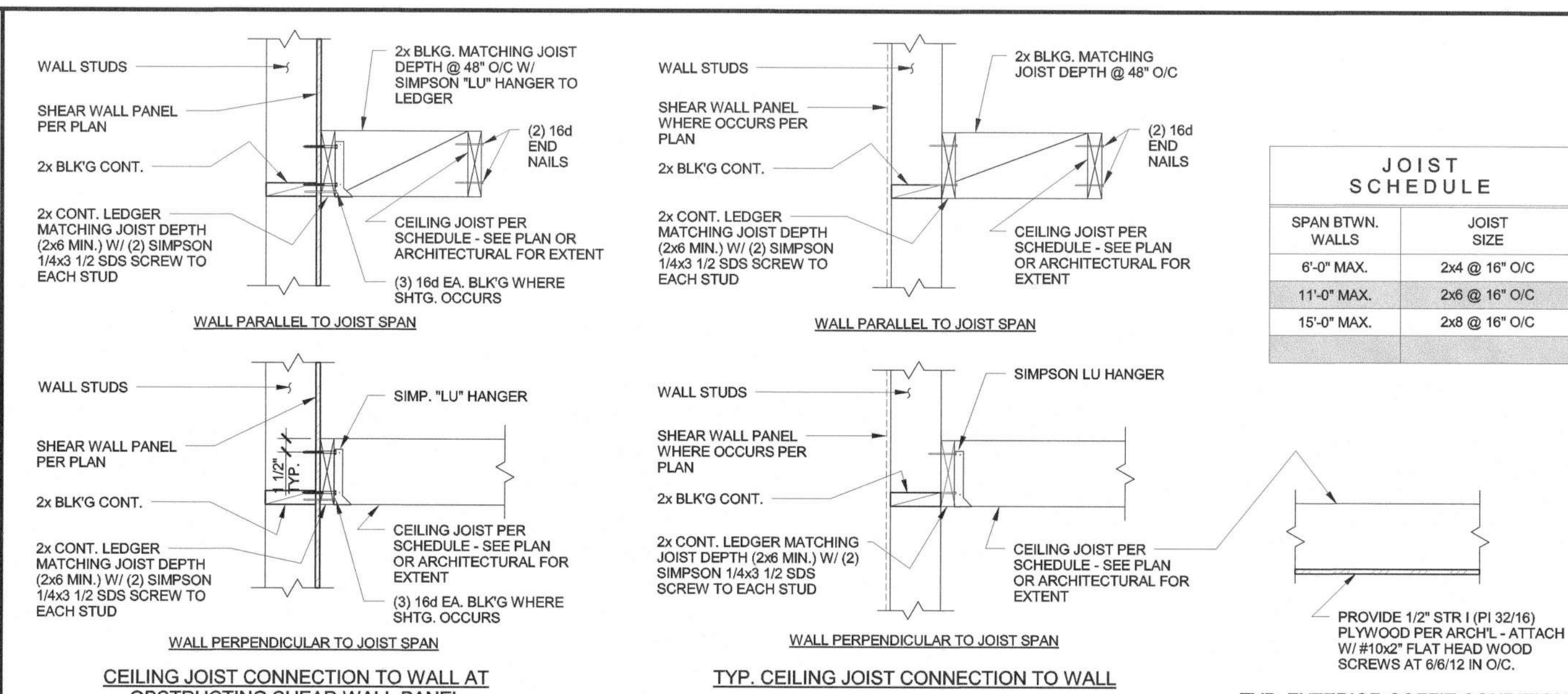
TYPICAL WOOD STUD WALL CONSTRUCTION at OPENING and WALL ENDS 1



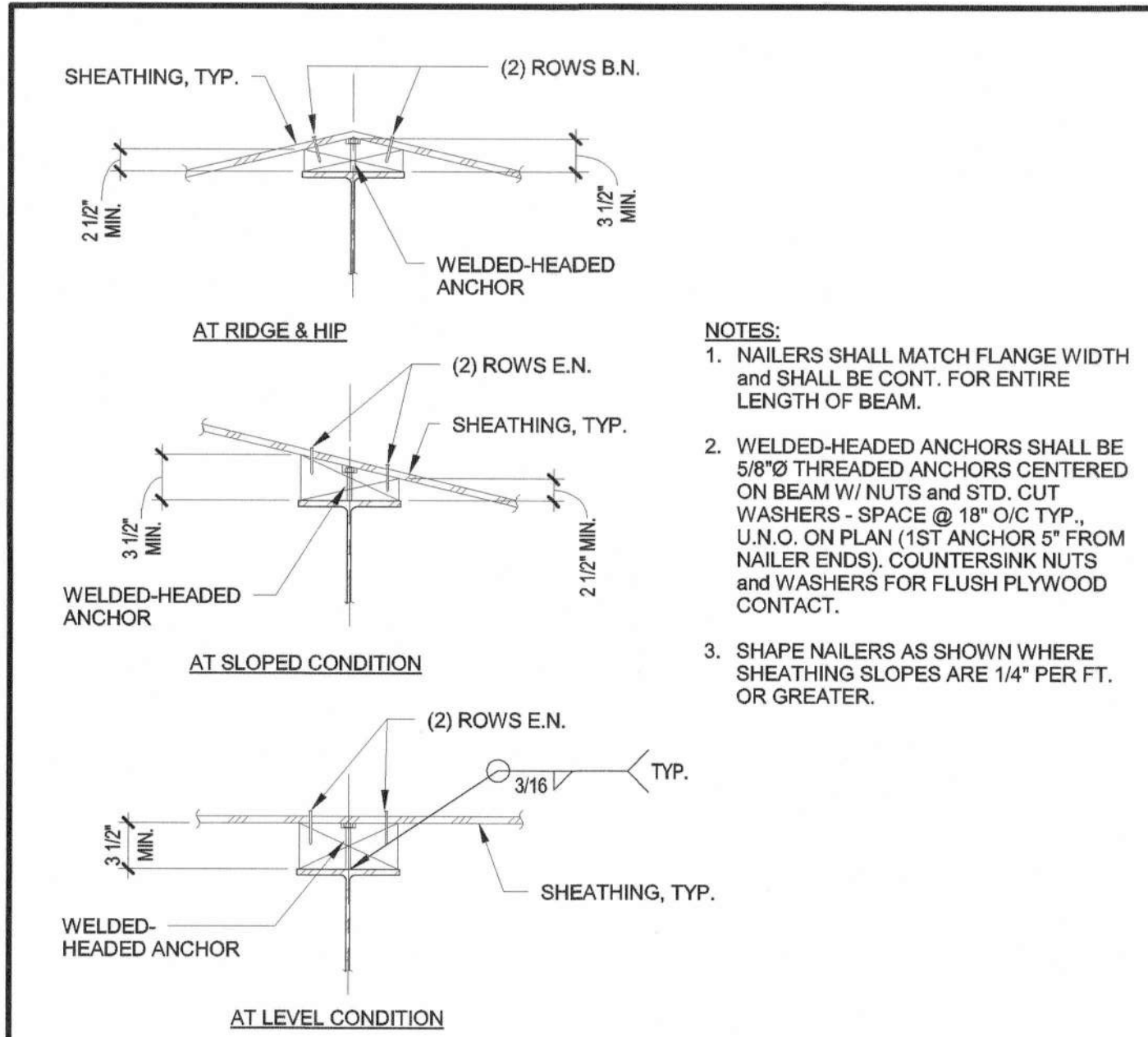
TYP. SUSPENDED CEILING DETAIL (APPLICABLE ONLY WHERE INDICATED) 11



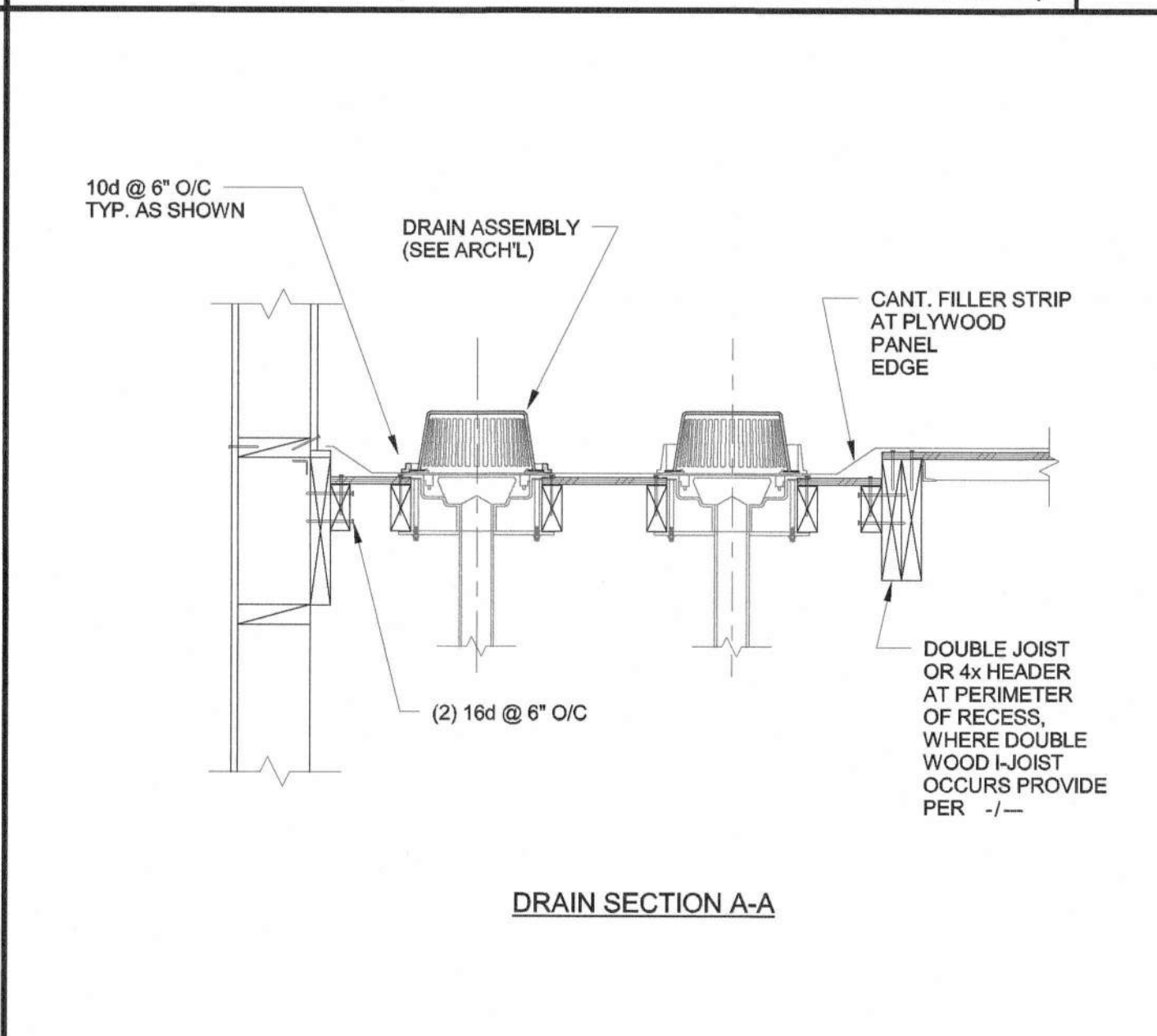
TYPICAL SECTION AT WOOD BEAMS 8



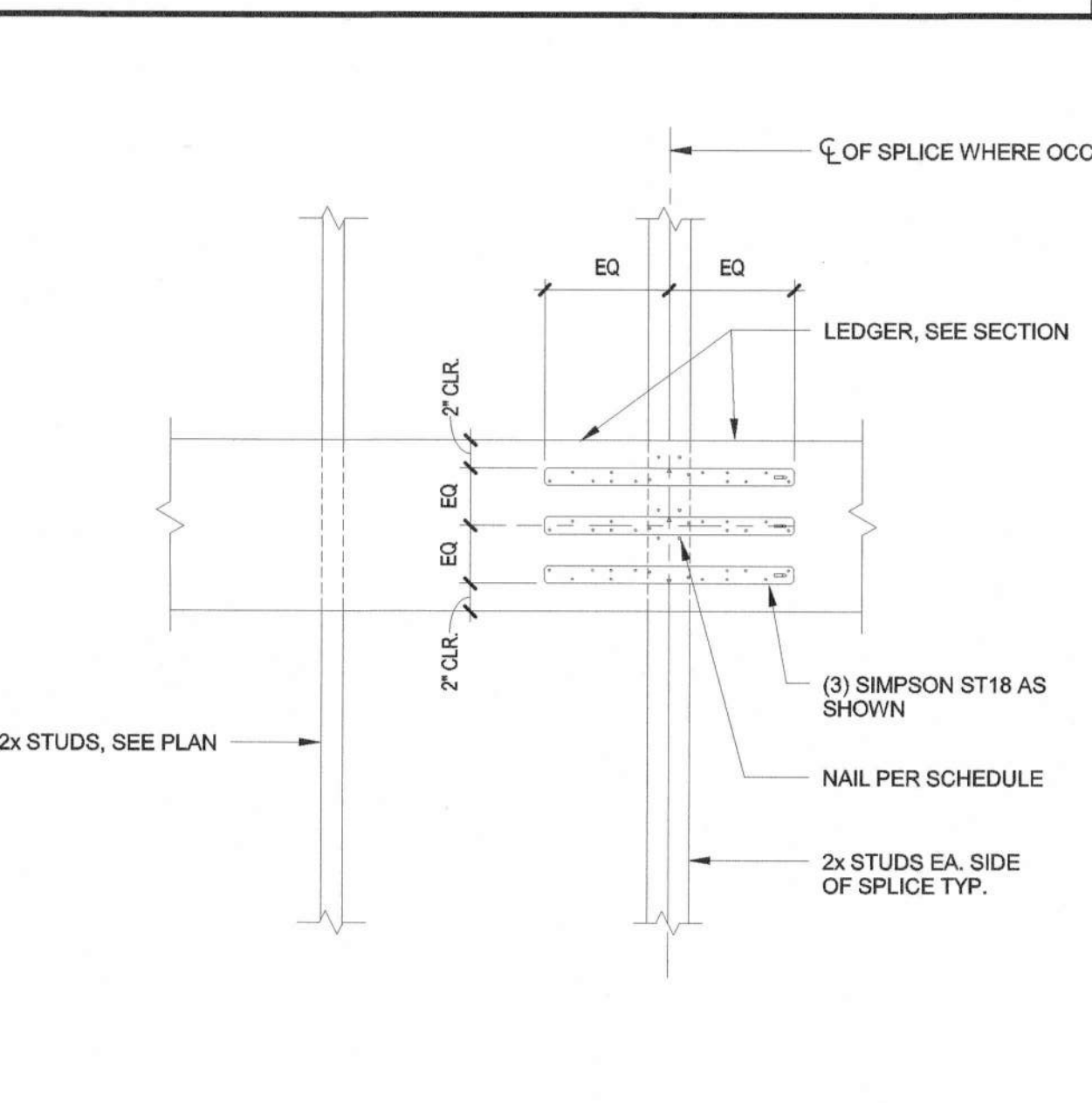
TYP. CEILING JOIST SCHEDULE and DETAILS 3



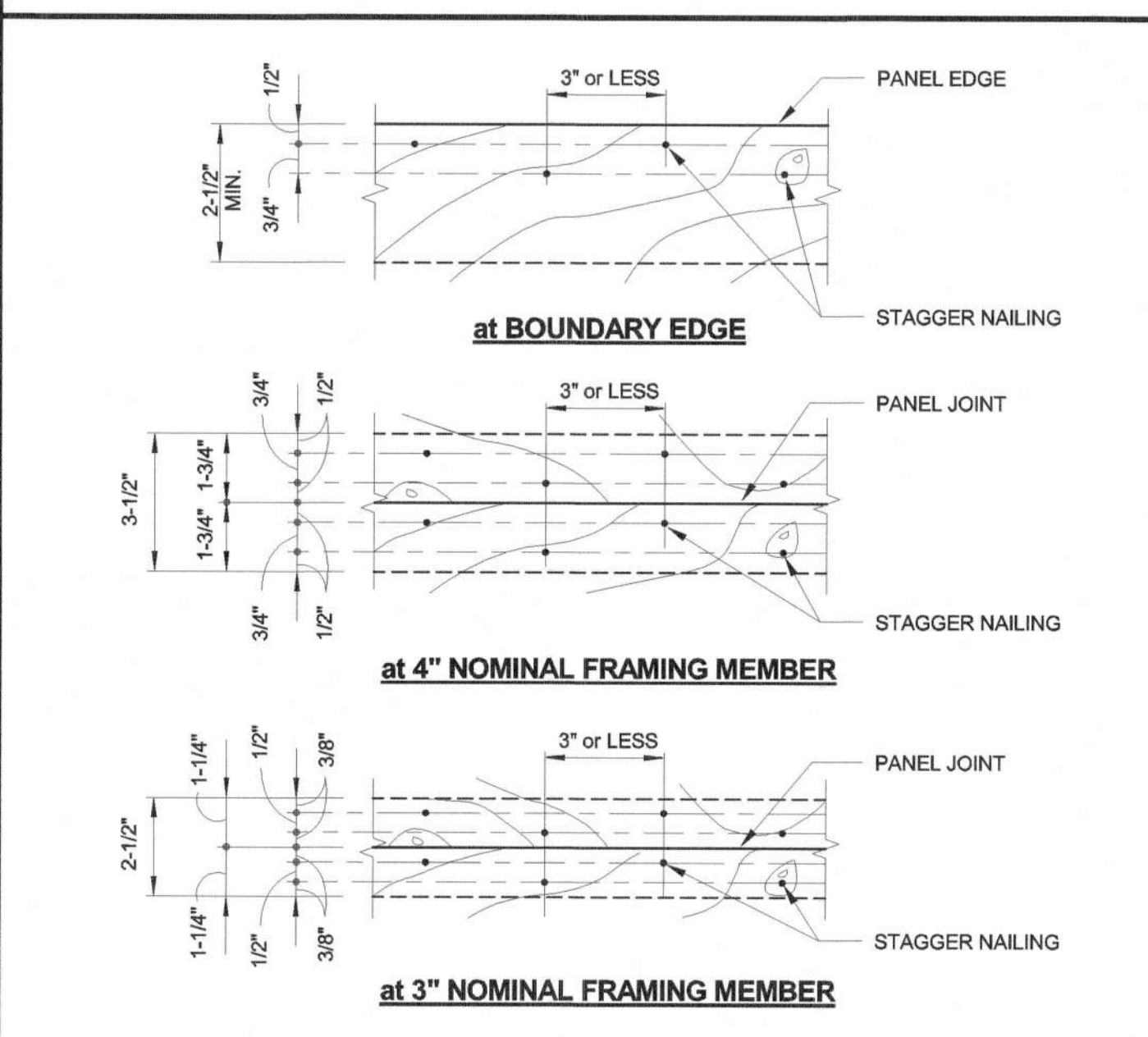
TYPICAL NAILERS ON STEEL 14



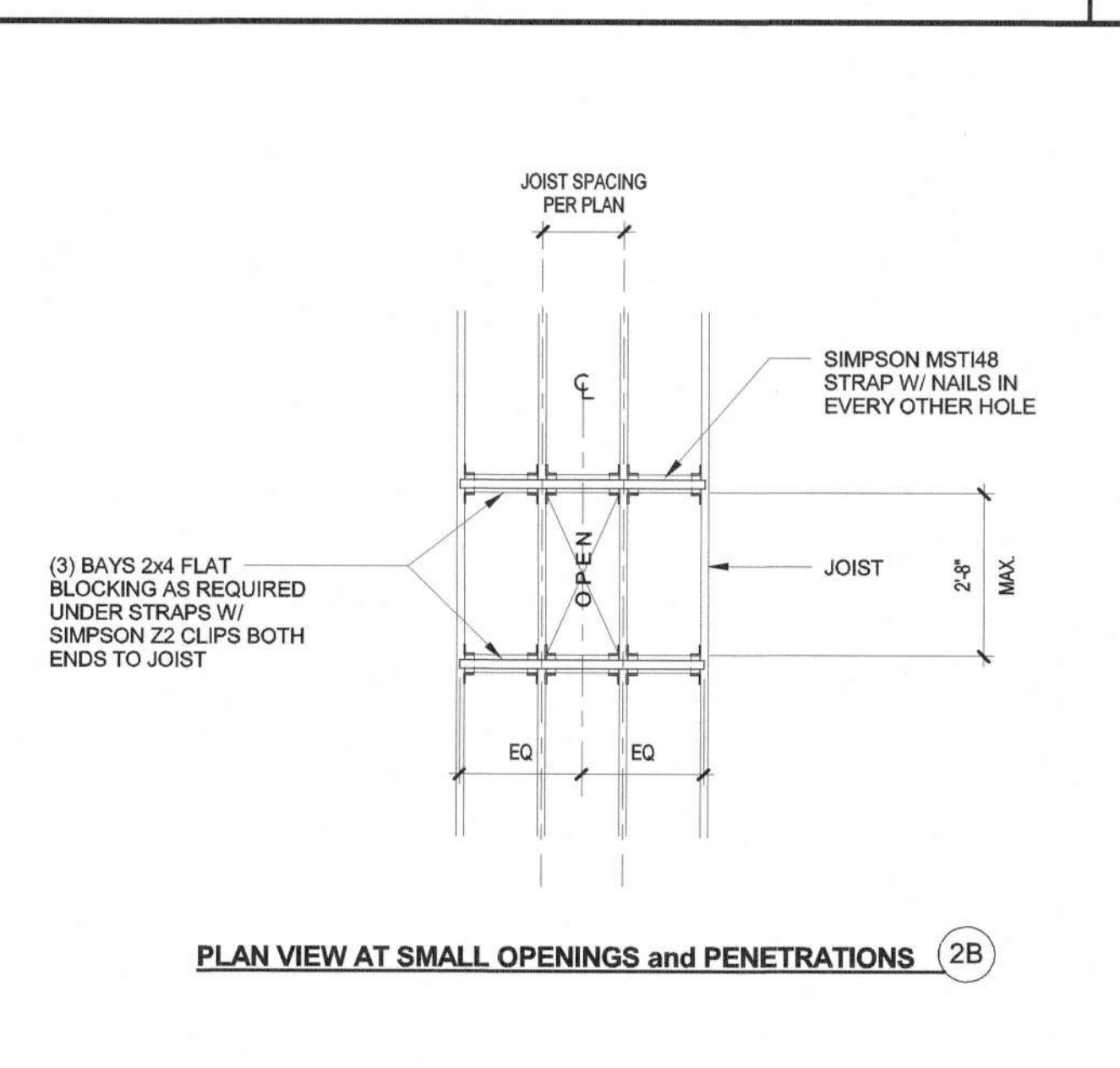
DRAIN SECTION A-A



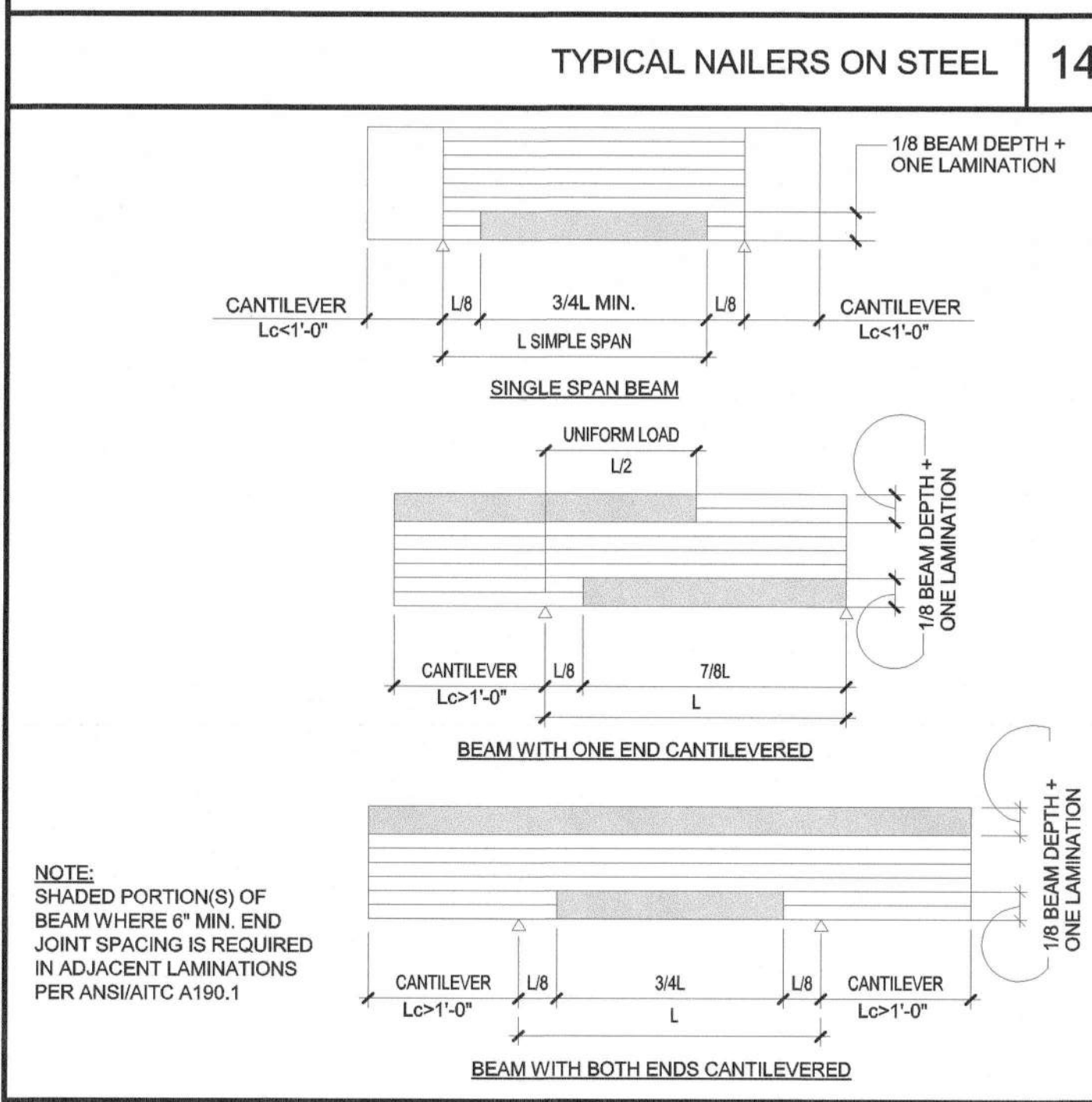
TYPICAL LEDGER SPLICE 7



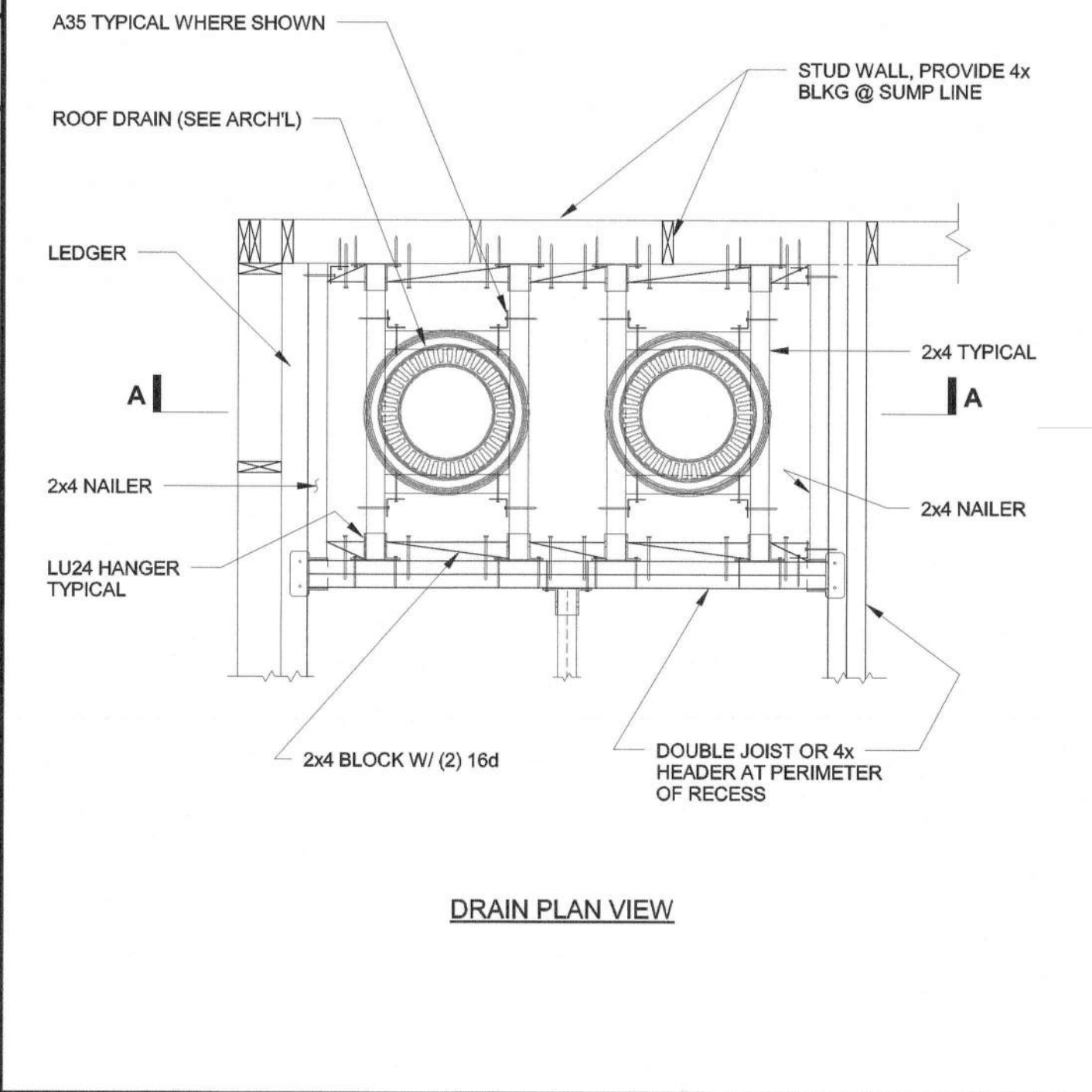
TYP. PLYWOOD NAILING WHERE NAILING SPACING  $\leq$  3" O/C 5



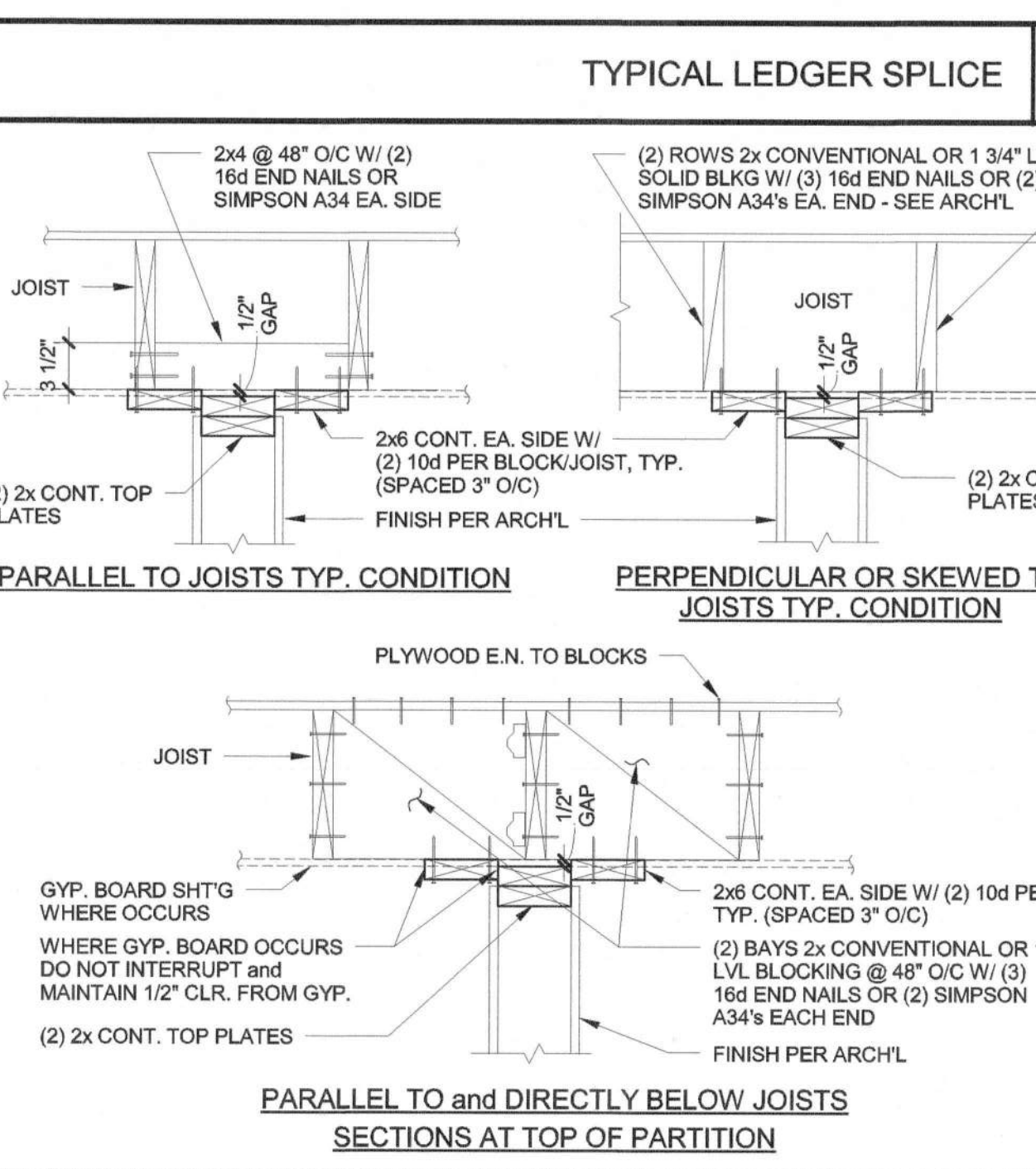
PLAN VIEW AT SMALL OPENINGS and PENETRATIONS (2B)



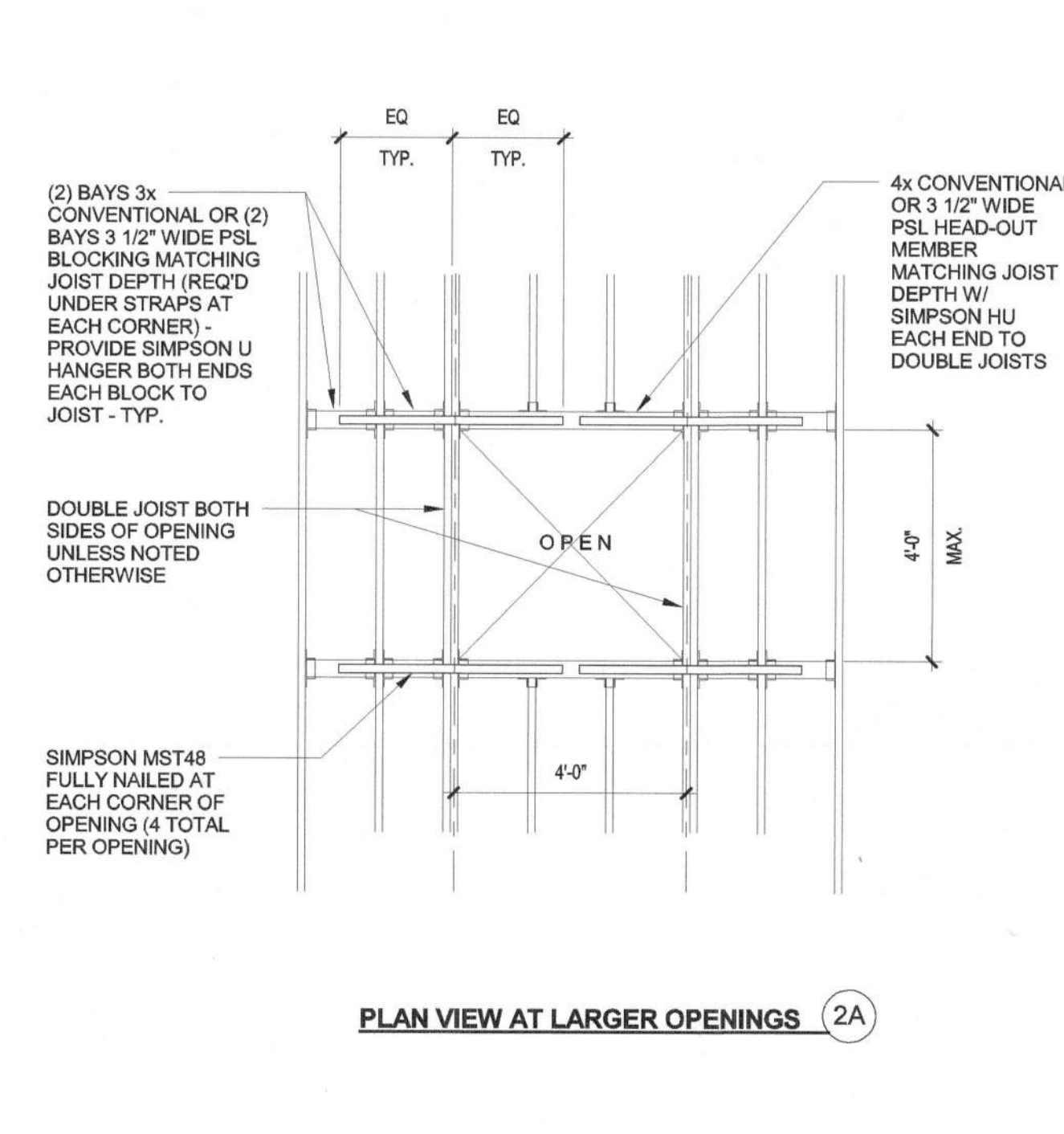
TYP. SPACING OF END JOINTS IN GLUED LAMINATED BEAMS 13



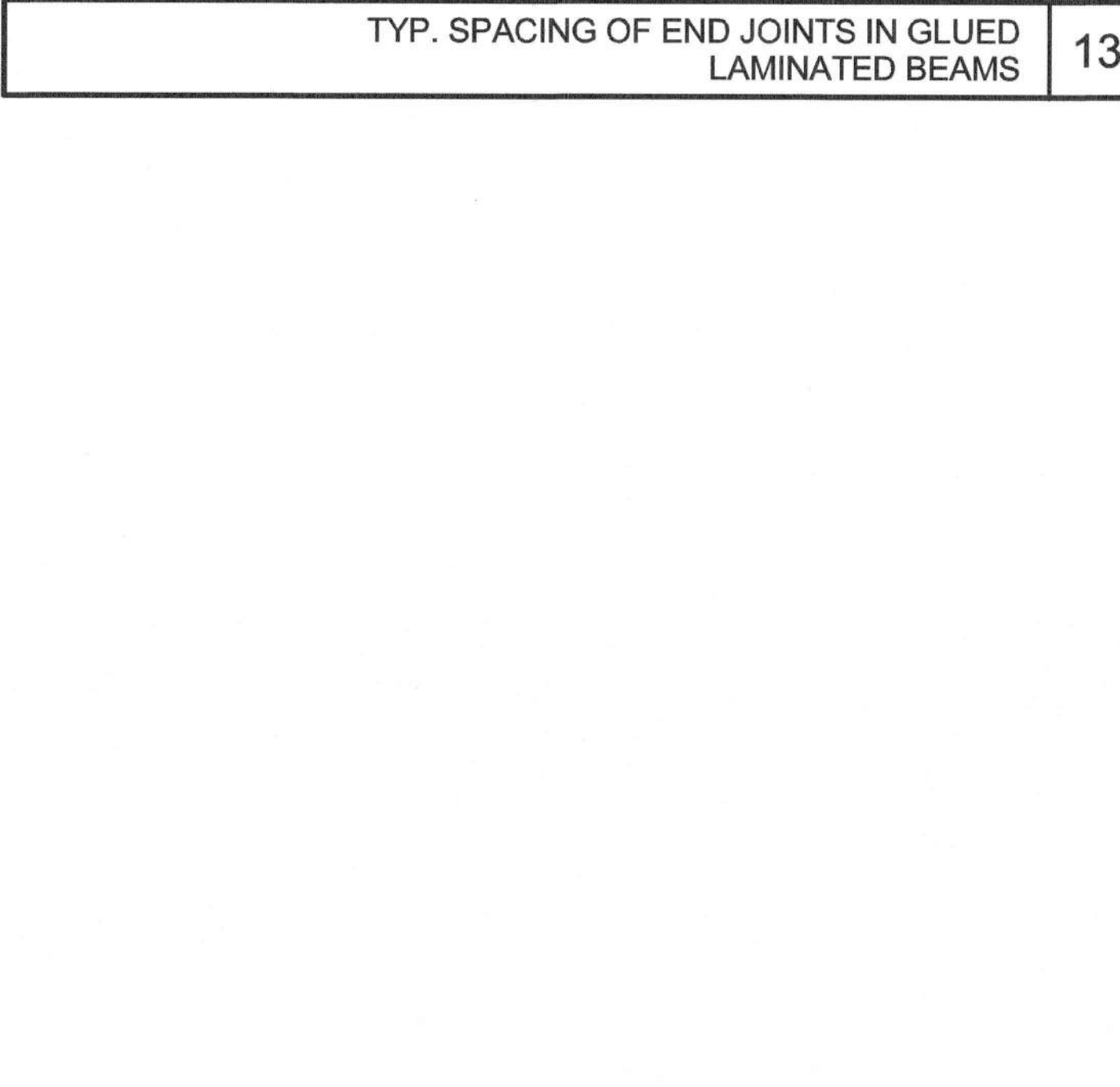
TYP. FRAMING AT ROOF DRAIN 10



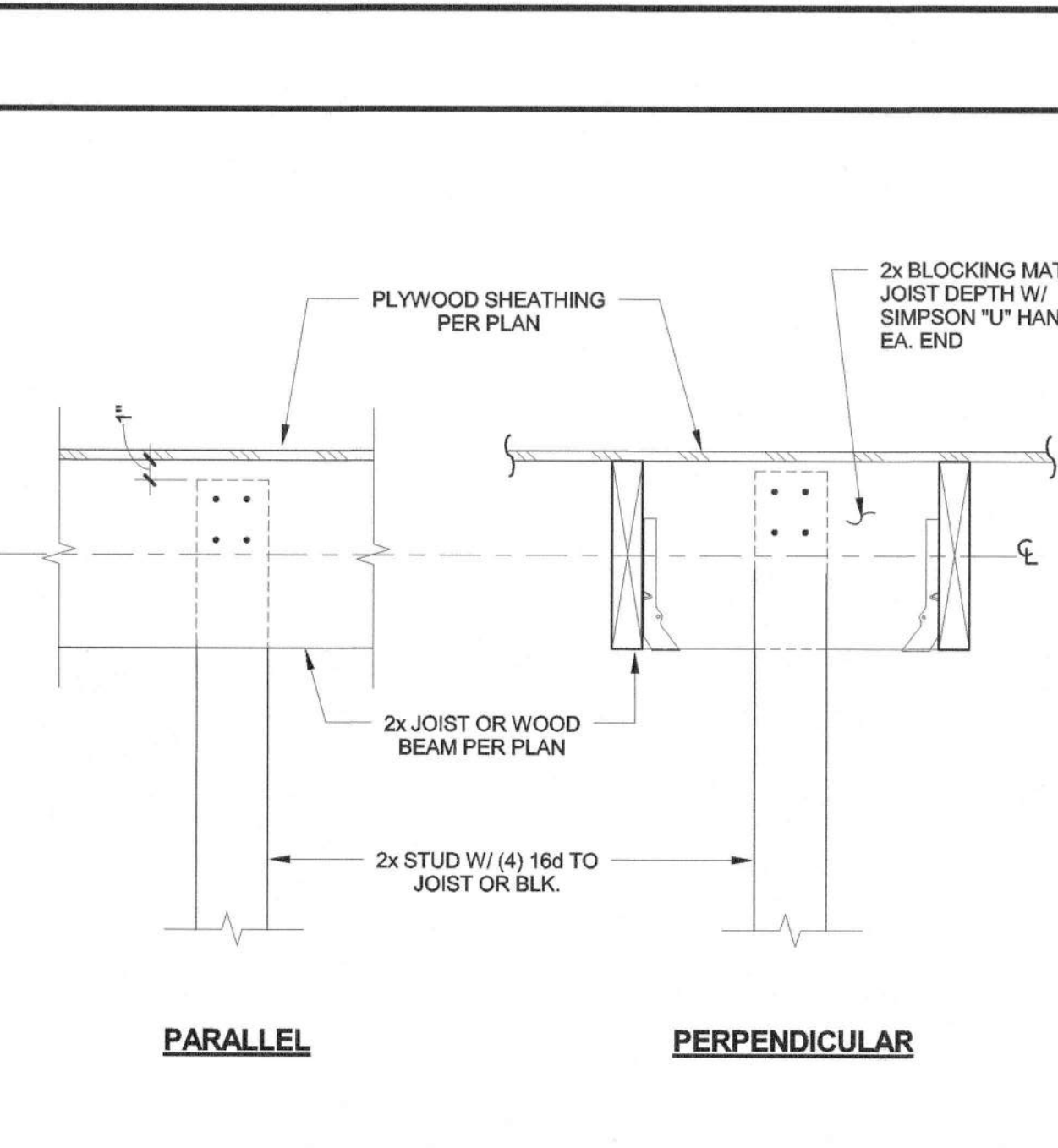
TYP. NON-BEARING PARTITION DETAILS 4



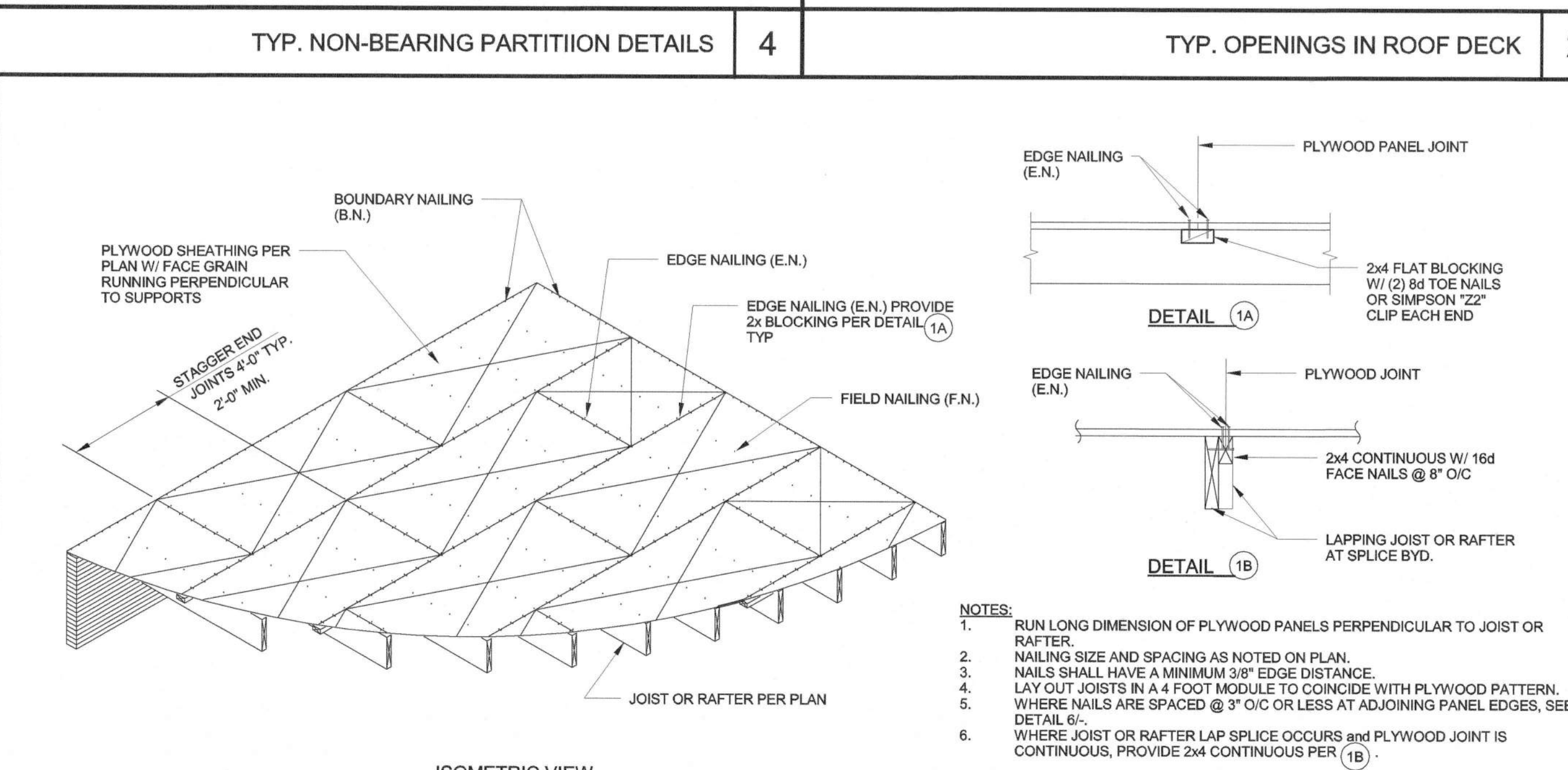
TYP. OPENINGS IN ROOF DECK 2



TYPICAL NAILER ON STEEL COLUMN 9



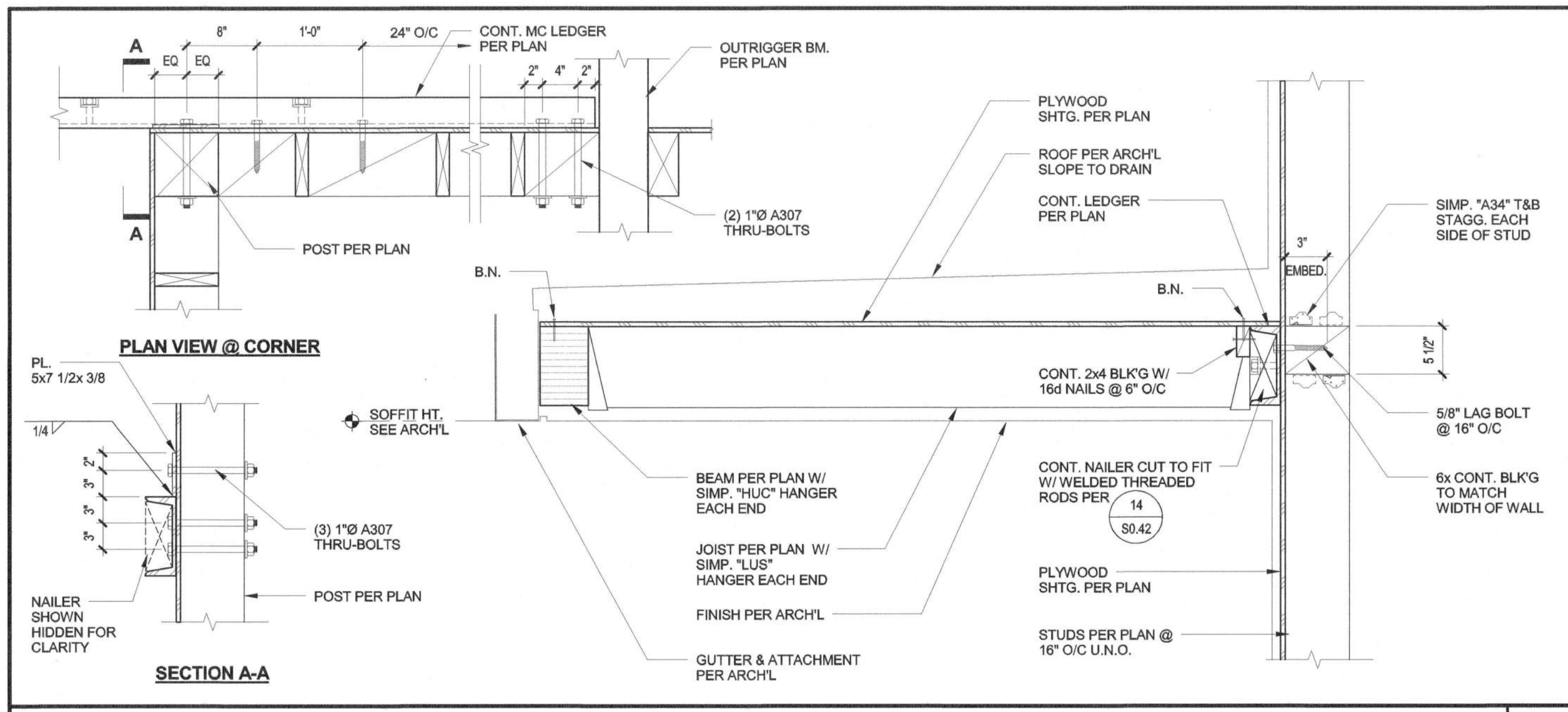
TYP. 2x HANGER AT WOOD JOIST 6



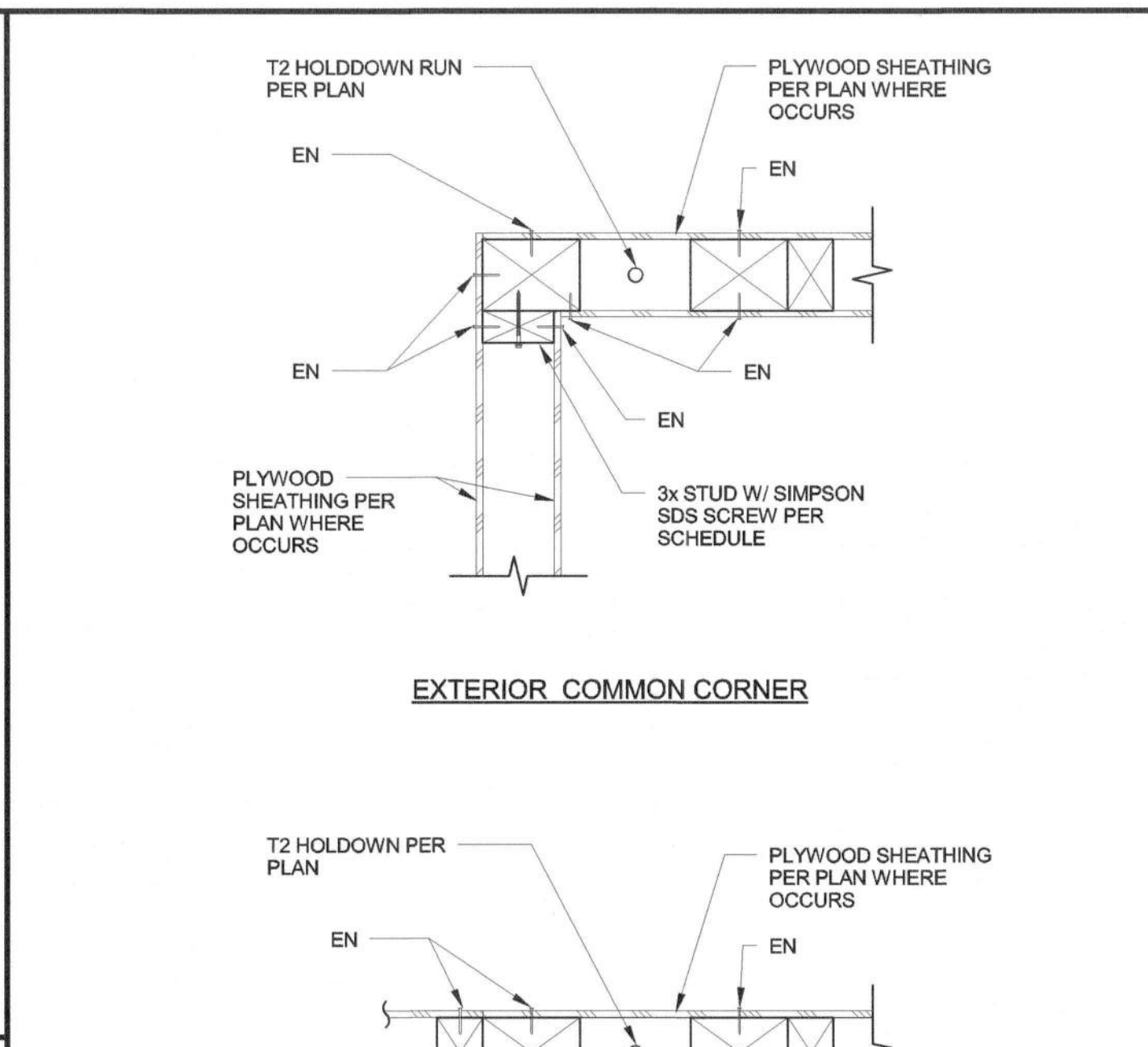
TYPICAL PLYWOOD ROOF DIAPHRAGM CONSTRUCTION 1

Date	Revision
03/16/16	
05/10/16	
05/15/16	
07/27/16	
08/12/16	
03/09/17	

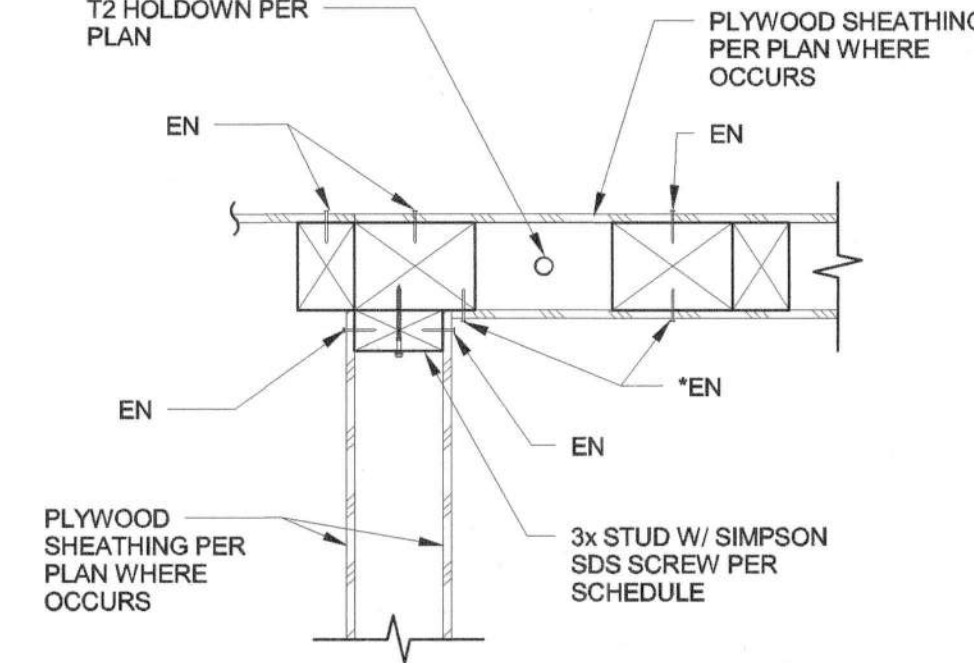
Job No.	1602010
Date	05/12/2016
Checked by	DW
Scale	As Indicated



CANOPY SECTION 12



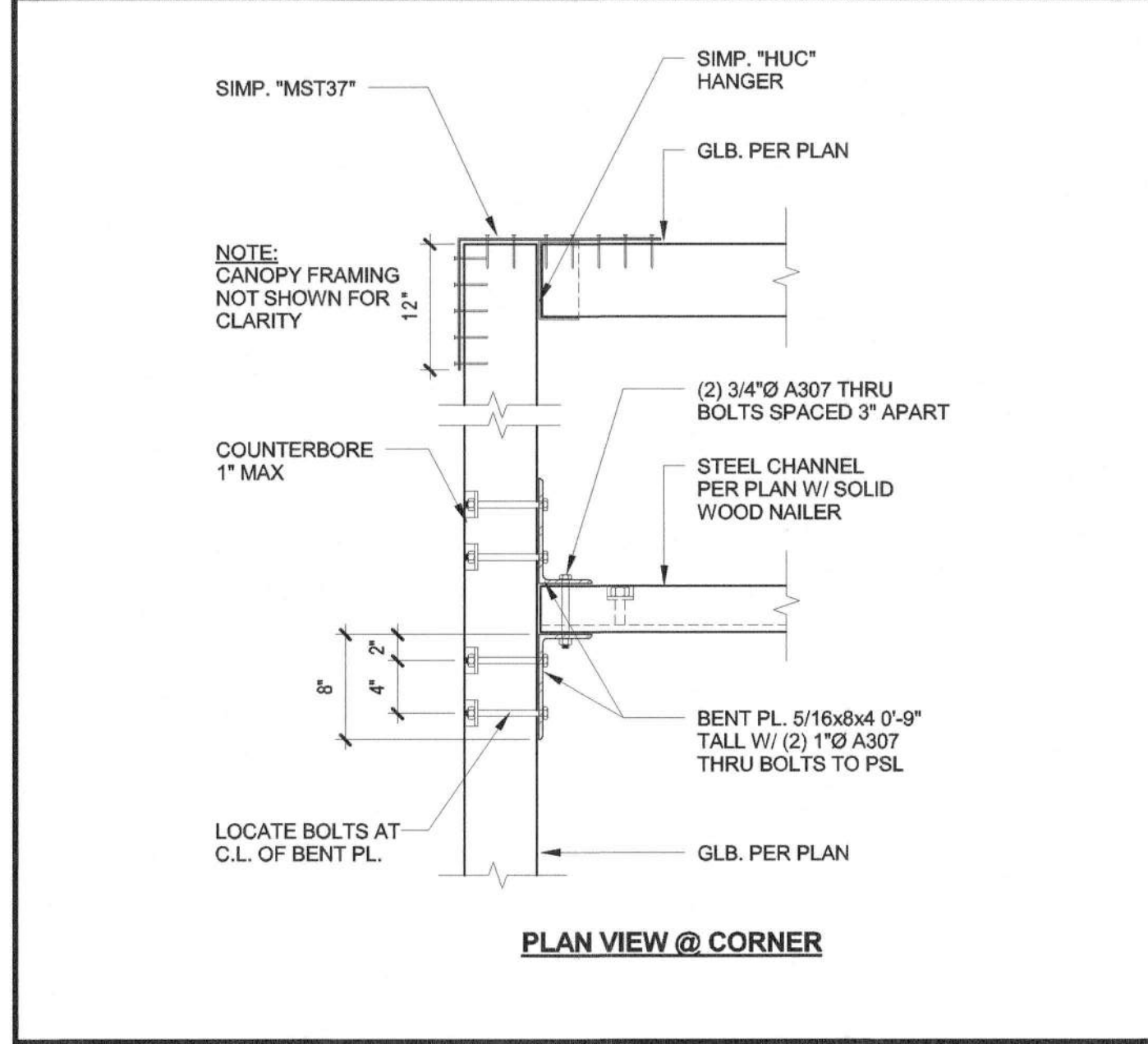
EXTERIOR COMMON CORNER



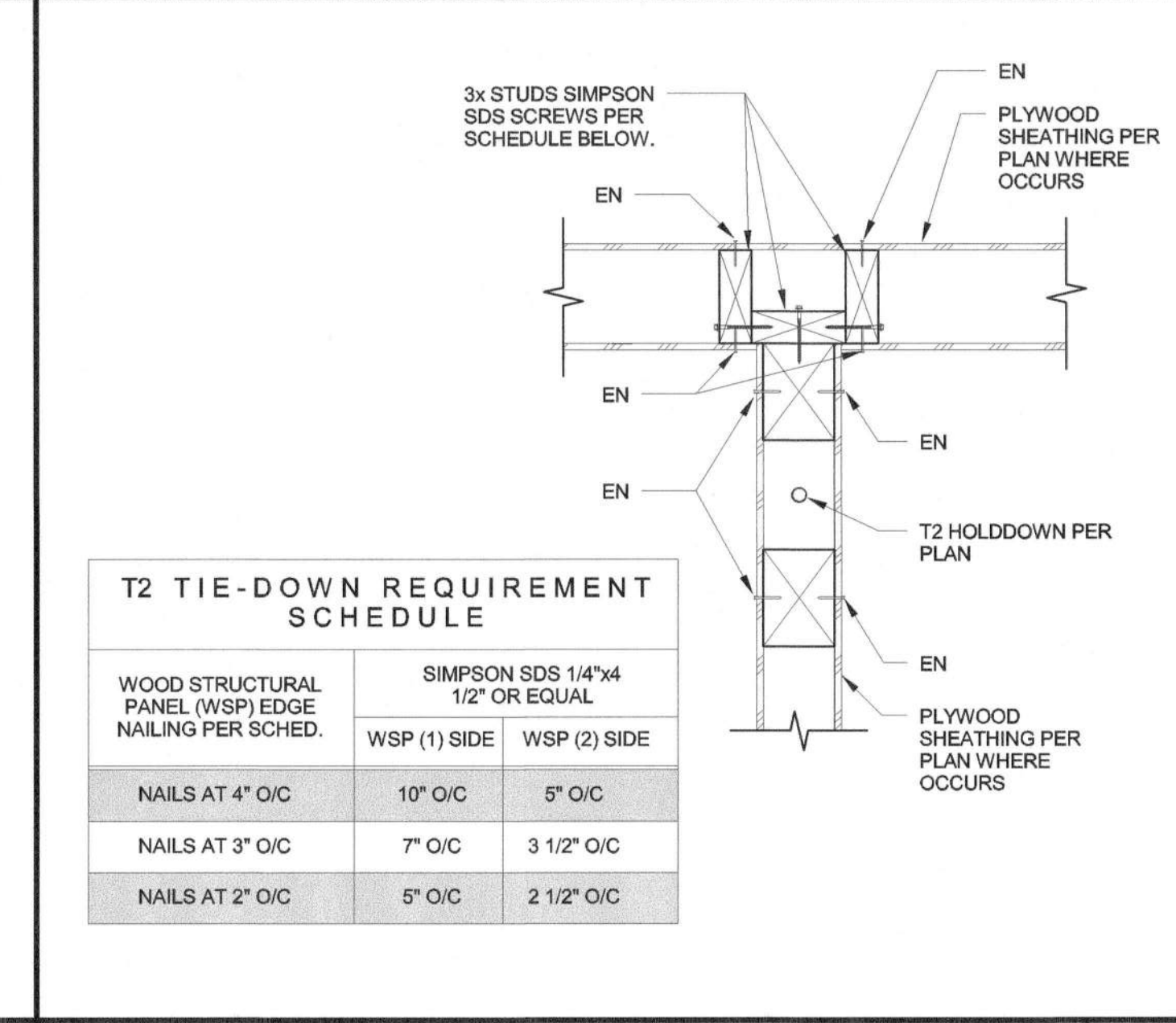
INTERIOR COMMON CORNER AT OPENING

**T2 TIE-DOWN REQUIREMENT SCHEDULE**

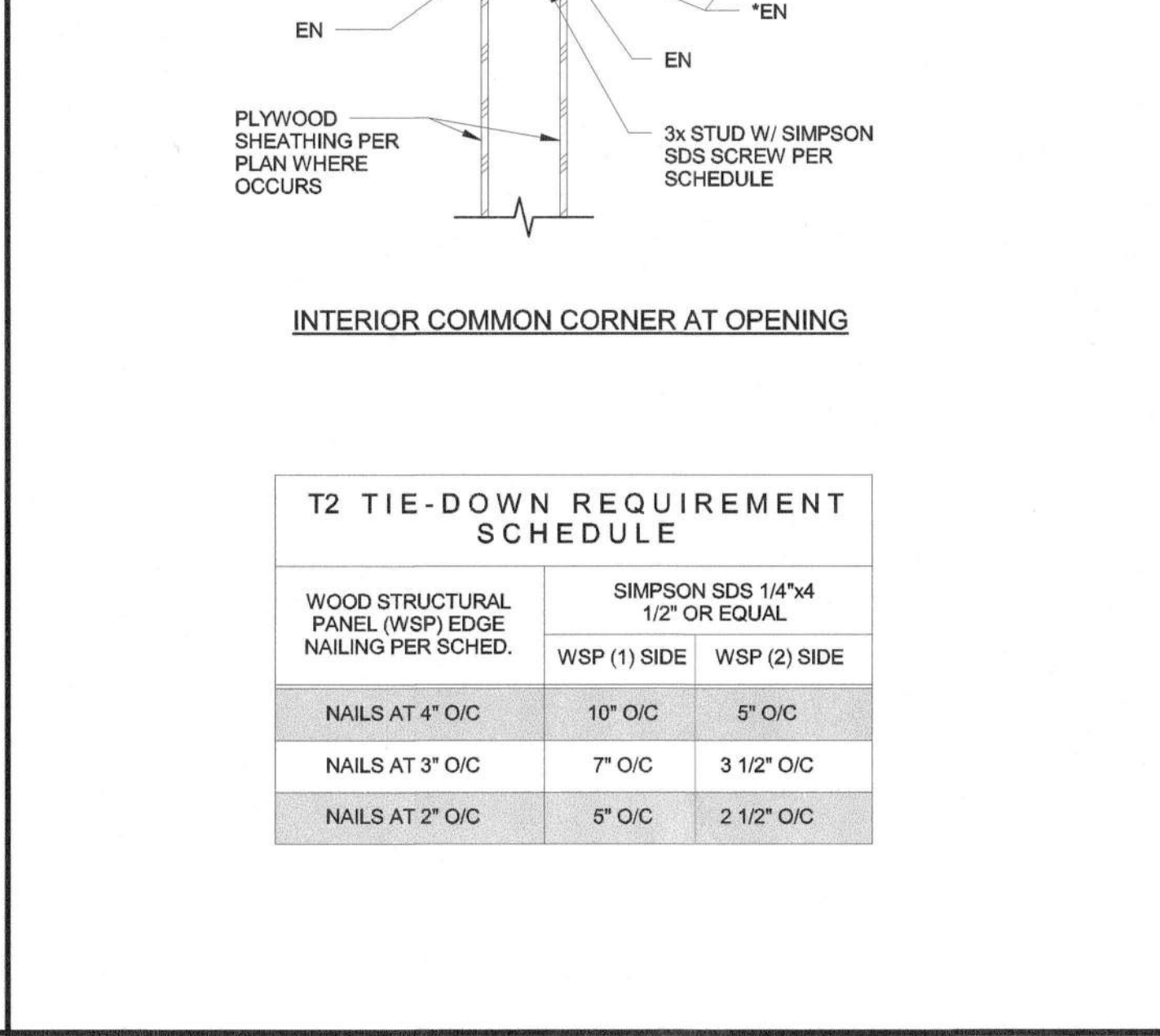
WOOD STRUCTURAL PANEL (WSP) EDGE NAILING PER SCHED.	SIMPSON SDS 1/4"x4 1/2" OR EQUAL	
	WSP (1) SIDE	WSP (2) SIDE
NAILS AT 4" O/C	10" O/C	5" O/C
NAILS AT 3" O/C	7" O/C	3 1/2" O/C
NAILS AT 2" O/C	5" O/C	2 1/2" O/C



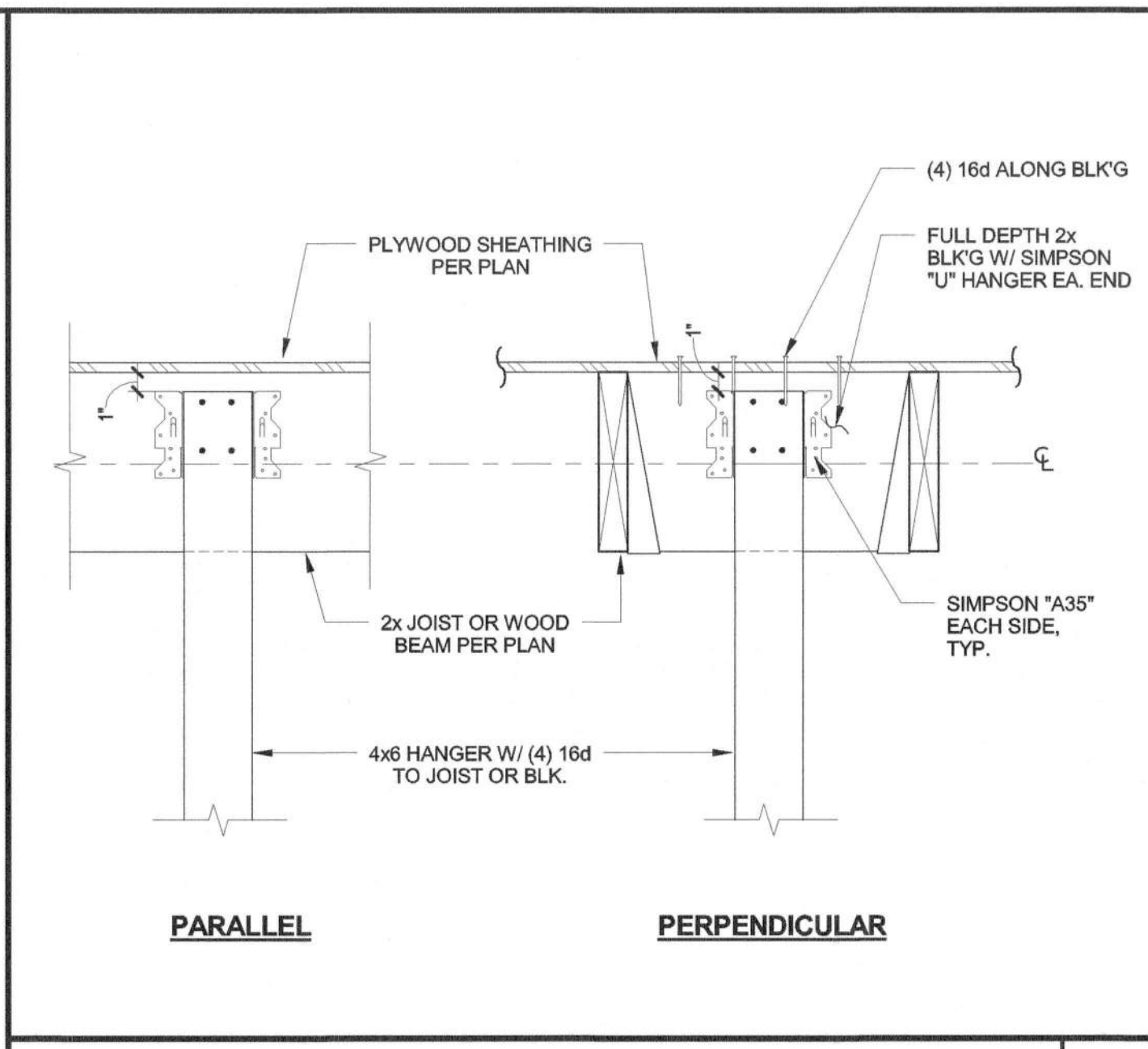
BEAM TO BEAM CONN. AT CANOPY 13



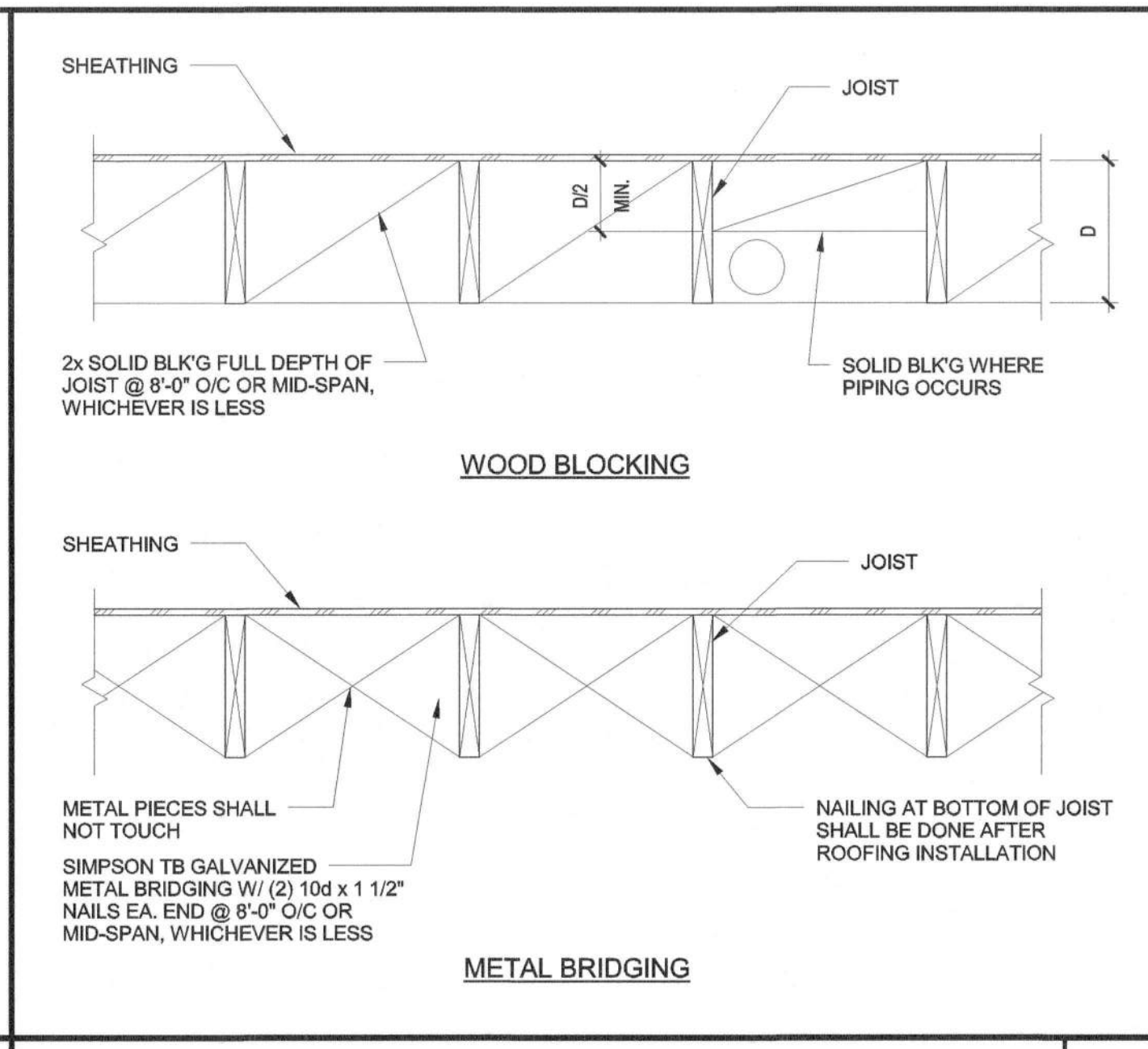
INTERSECTION PLAN VIEW WHERE POST and T2 HOLDDOWN OCCUR IN SHEAR WALL 11



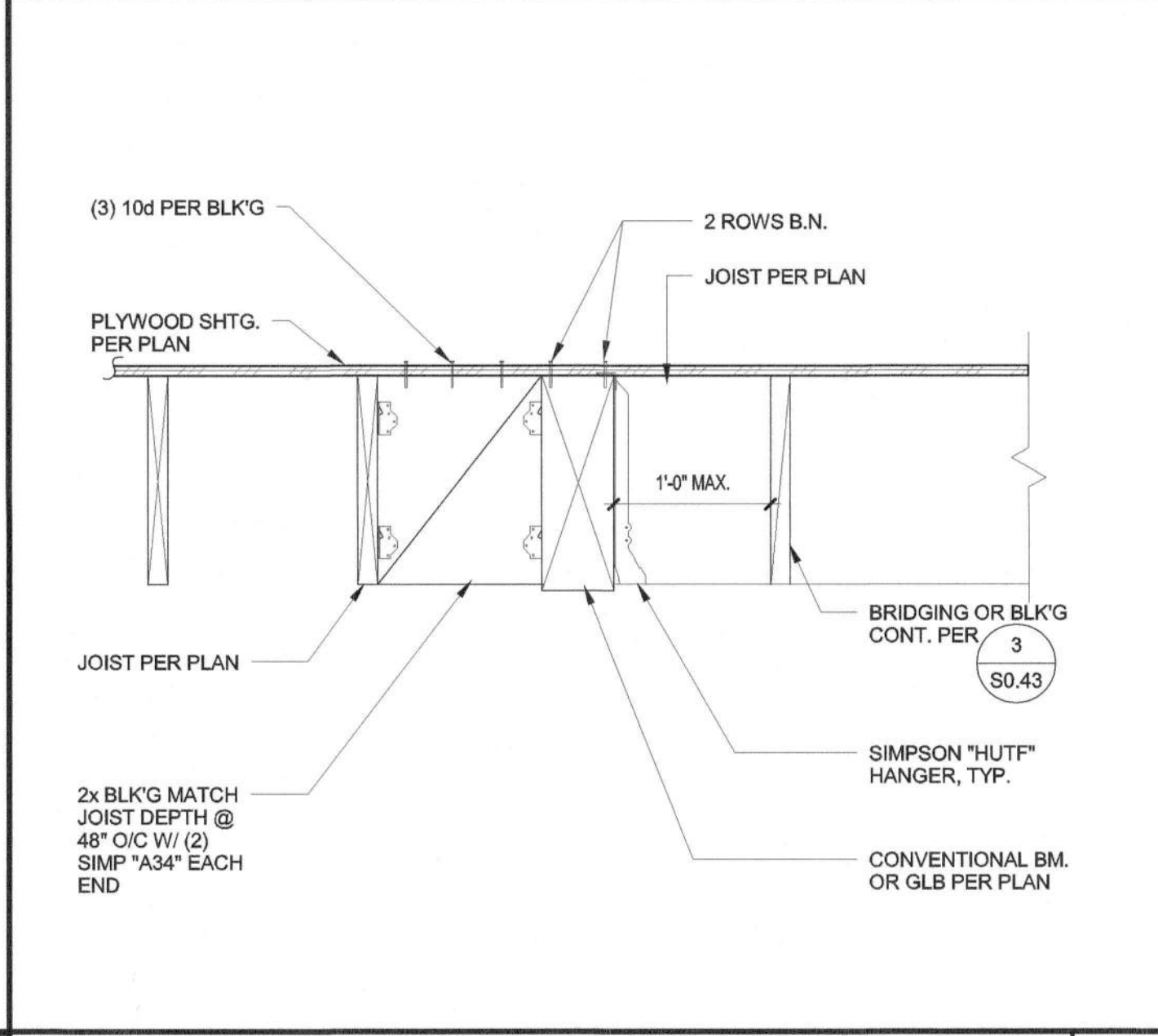
COMMON CORNER PLAN VIEW WHERE POST AND T2 HOLDDOWN AT SHEAR WALL 10



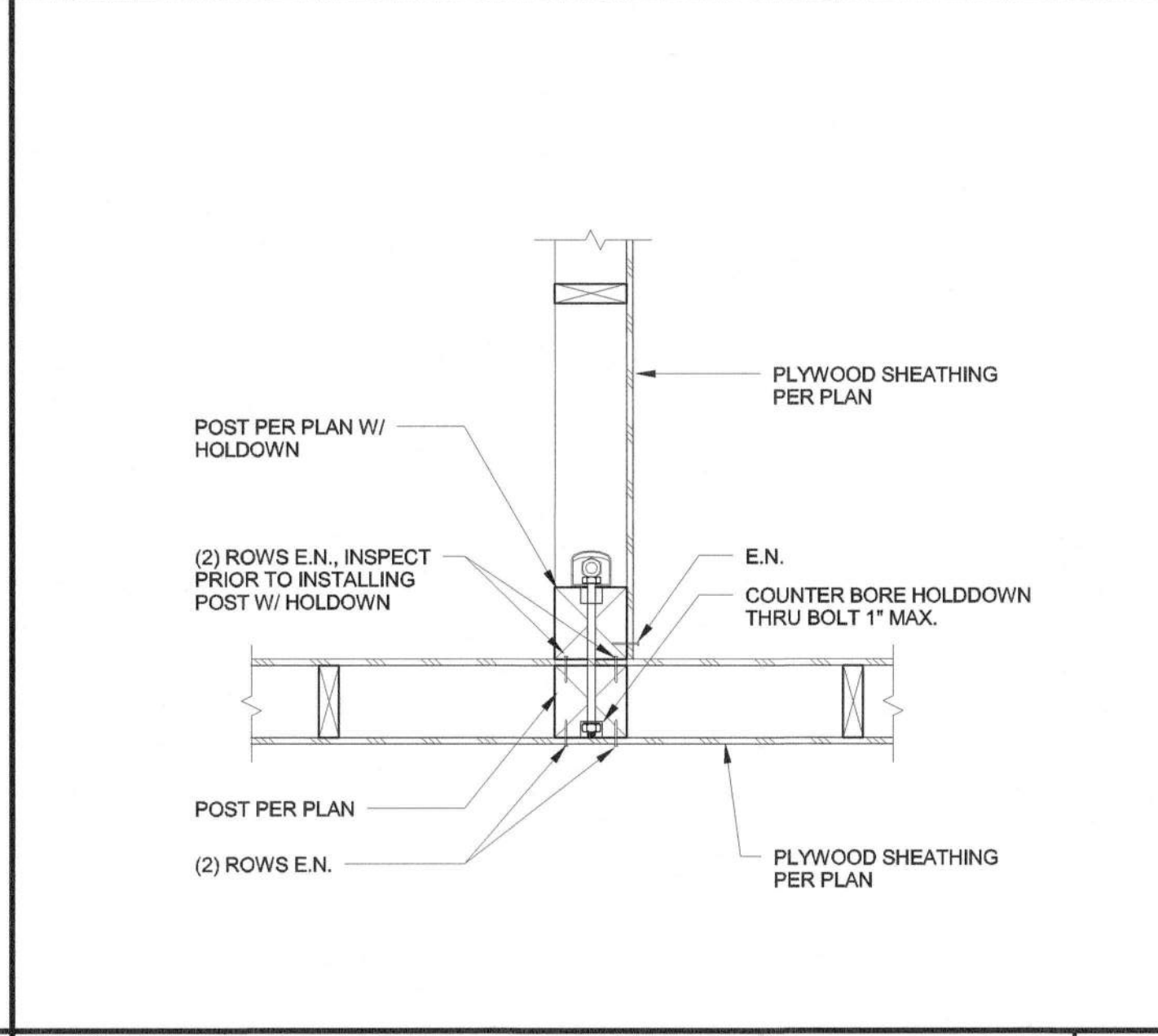
HANGER FOR OUTRIGGER BM AT EXTERIOR SOFFIT 7



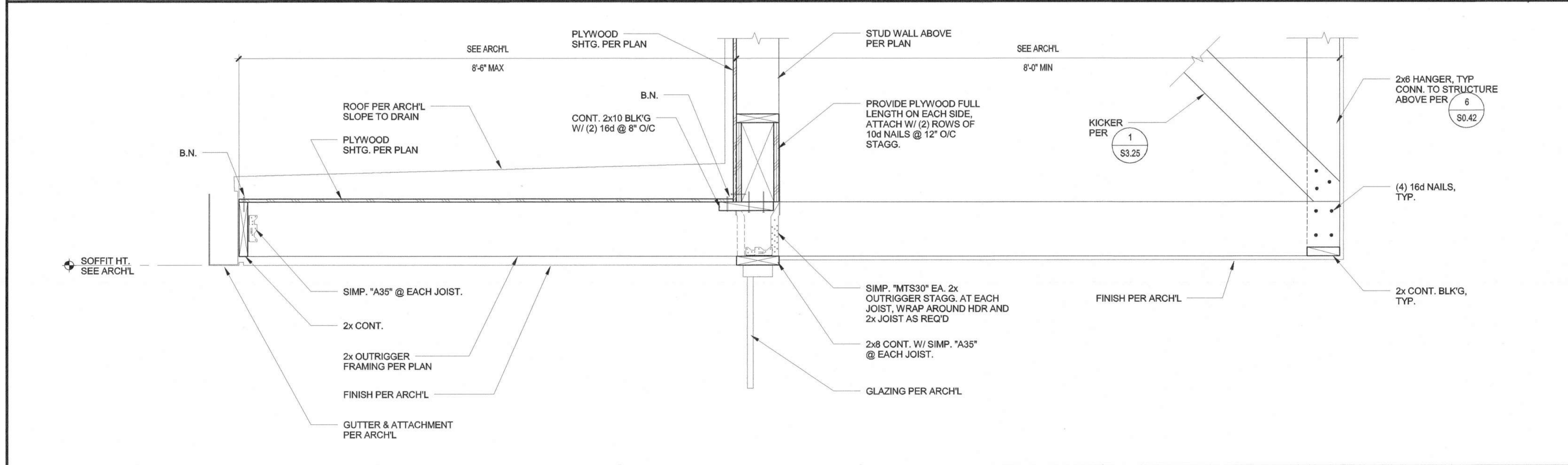
TYP. WOOD JOIST BRIDGING 3



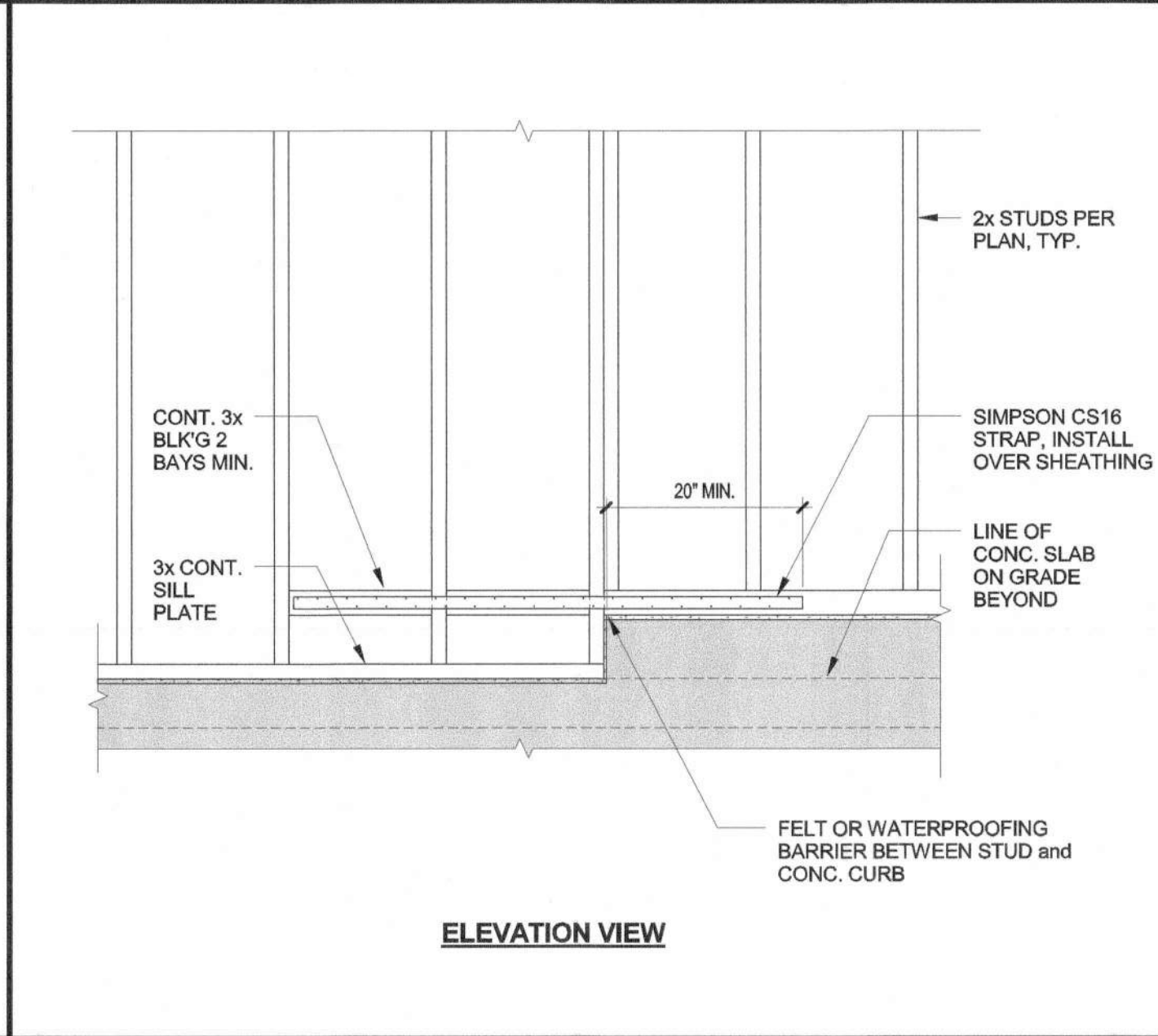
JOIST TO BEAM CONN. 6



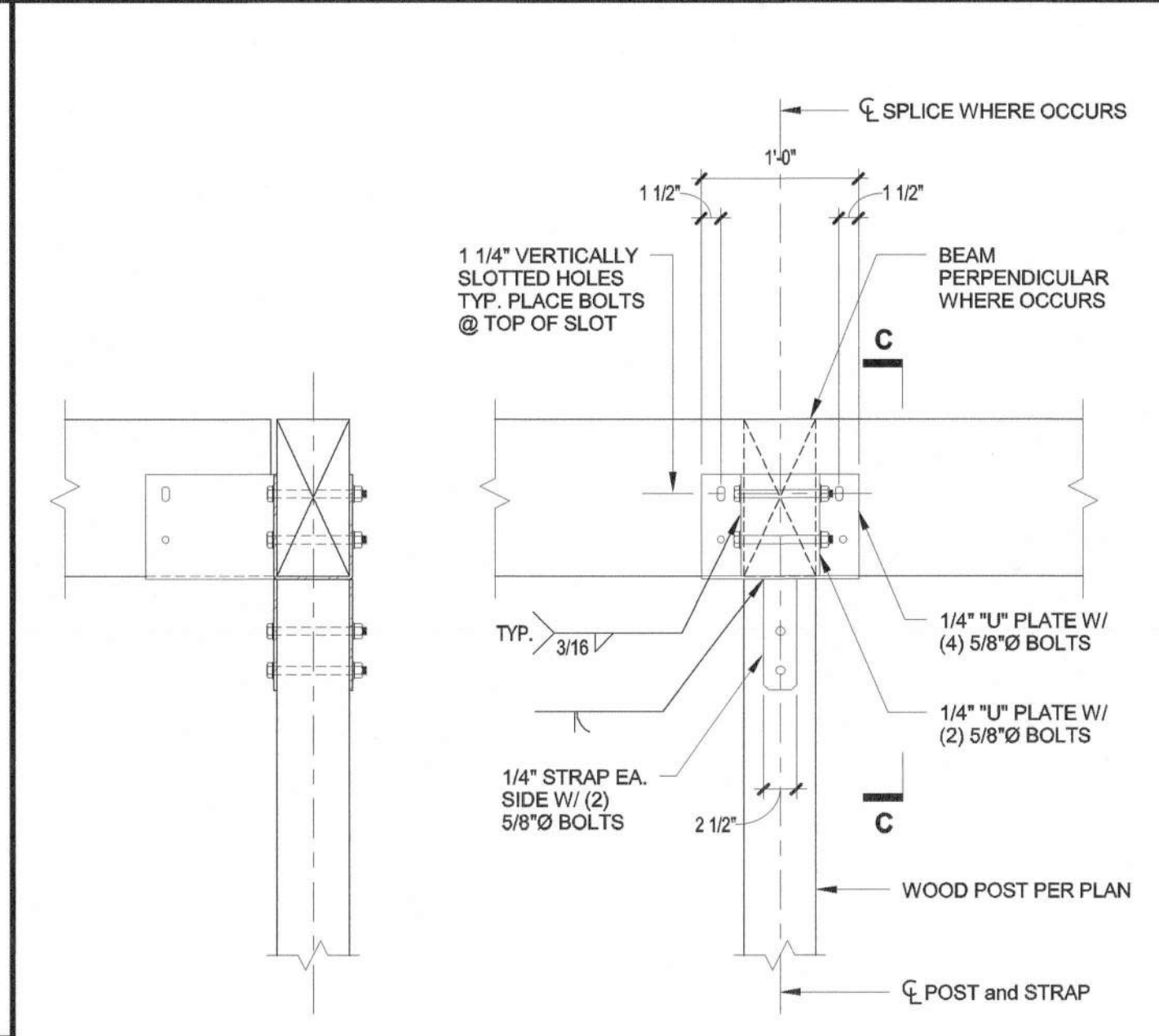
INTERSECTION PLAN VIEW WHERE POST and HOLDDOWNS OCCUR IN SHEAR WALL 2



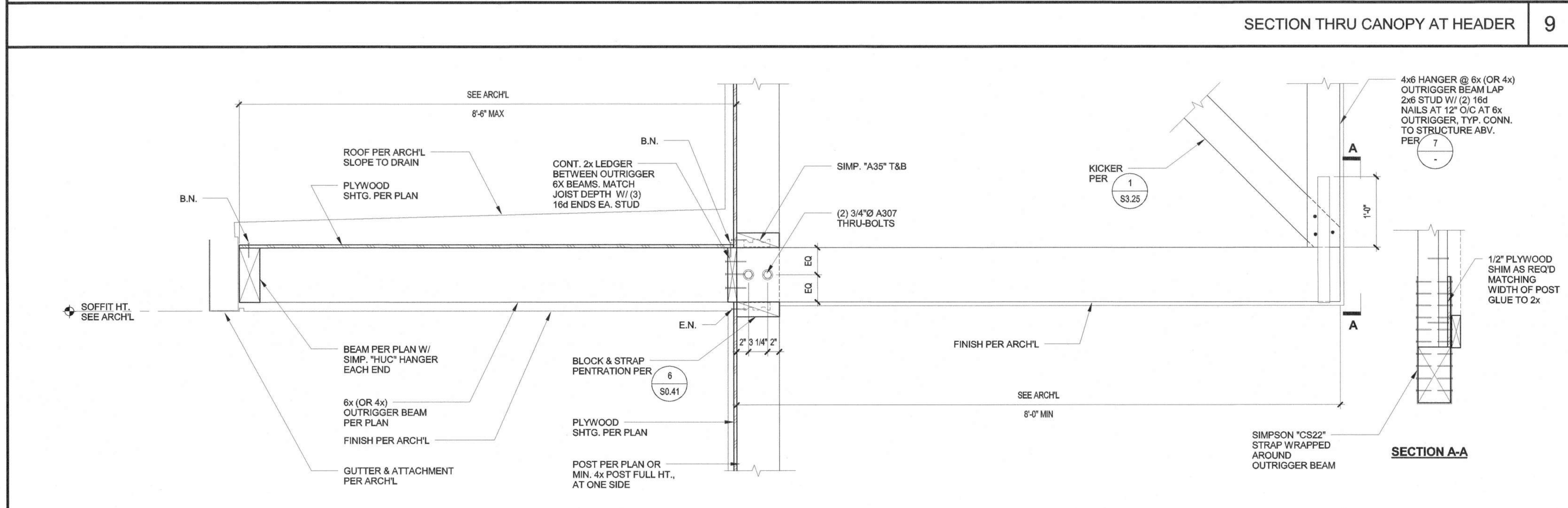
SECTION THRU CANOPY AT HEADER 9



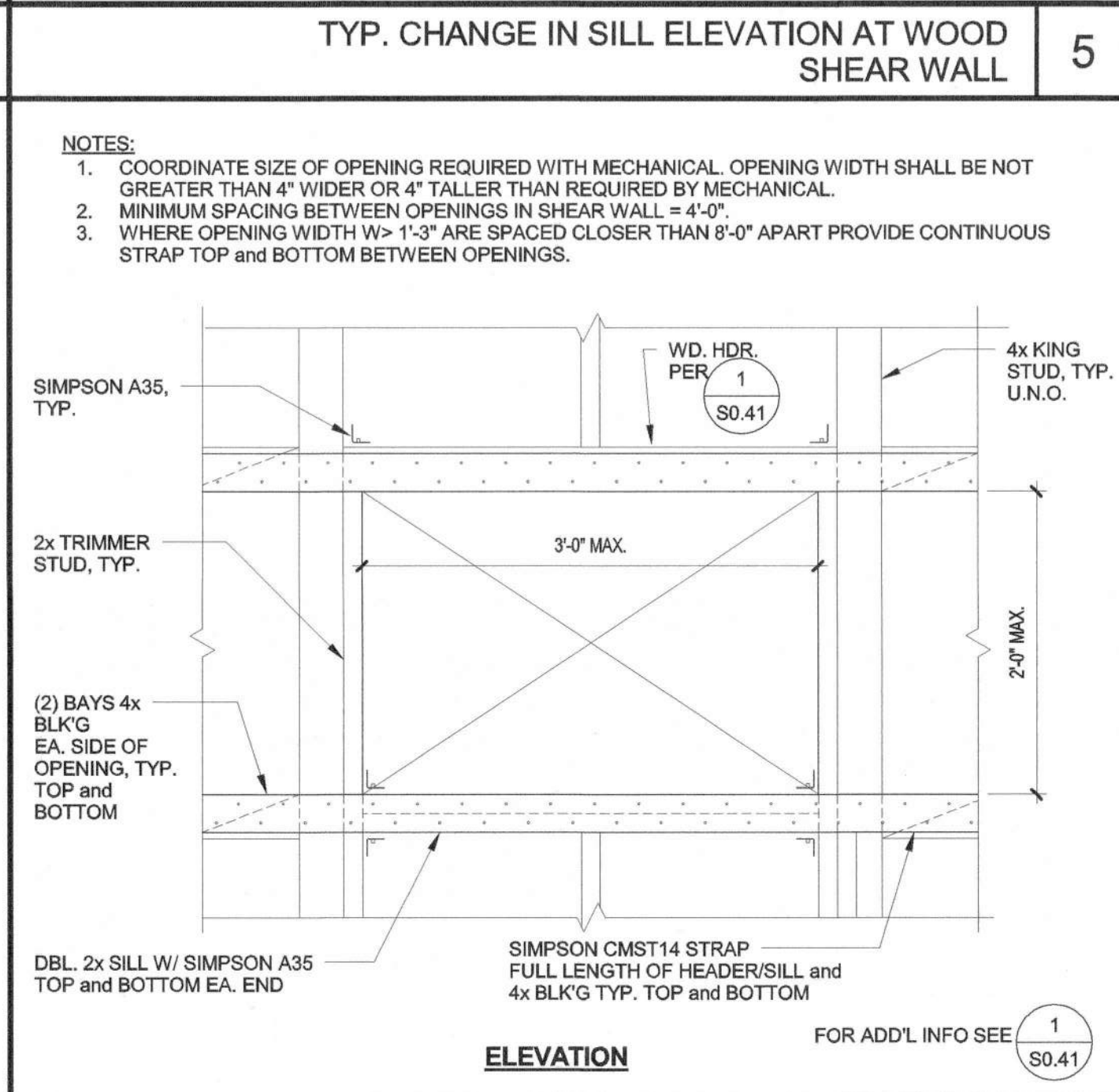
TYP. CHANGE IN SILL ELEVATION AT WOOD SHEAR WALL 5



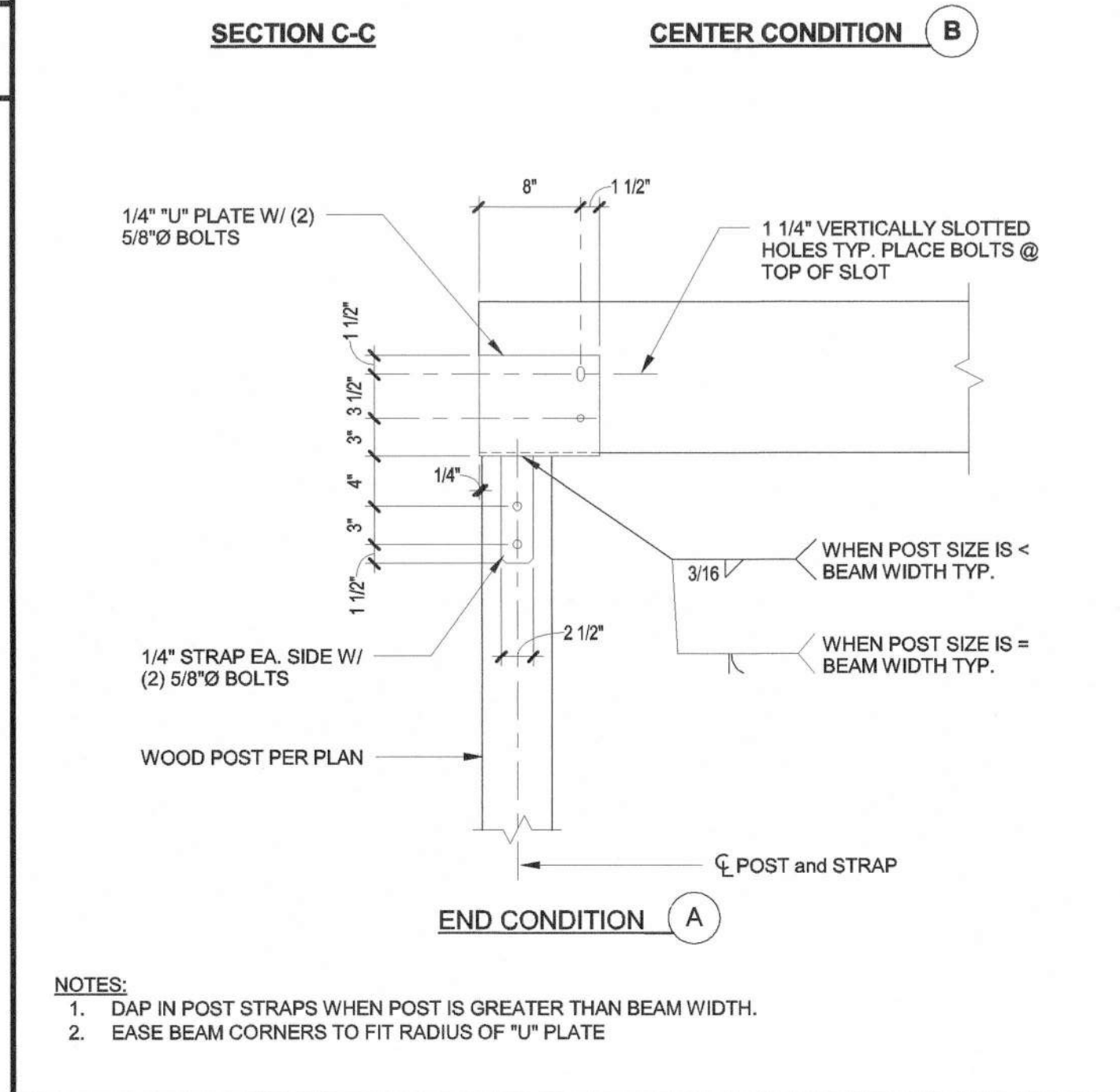
SECTION C-C CENTER CONDITION B



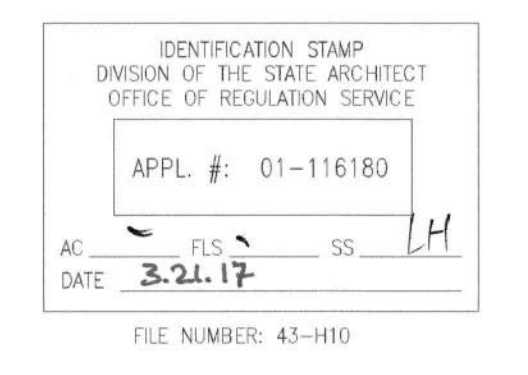
SECTION THRU CANOPY 8



TYP. OPENING IN SHEAR WALL (W > 1'-2") 4



TYP. WOOD BEAM TO WOOD POST 1



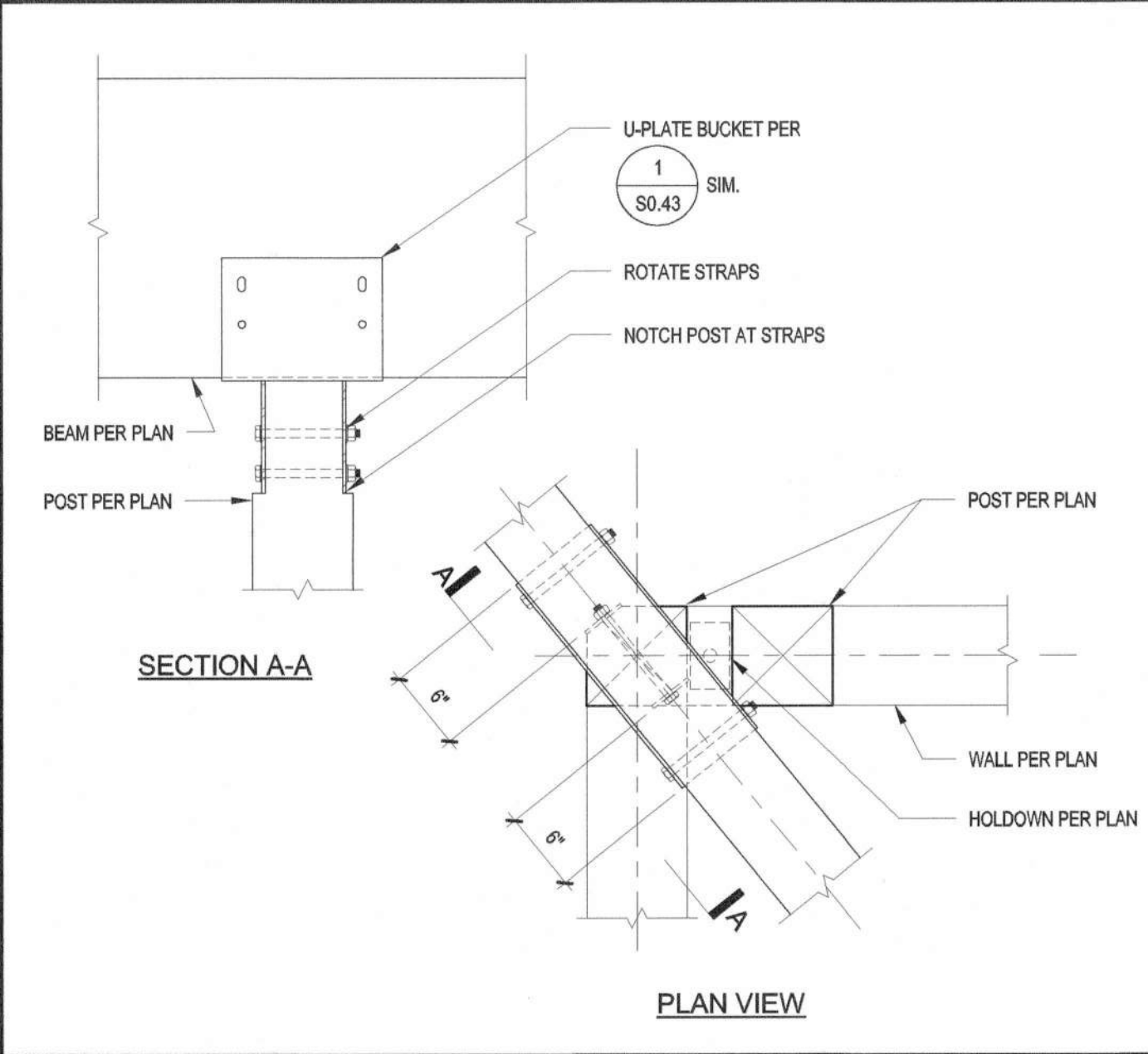
**BUILDING D SCIENCE AND CLASSROOM BUILDINGS, PIEDMONT HILLS HIGH SCHOOL**  
 1377 PIEDMONT RD  
 SAN JOSE, CA 95121

Developed for  
 EAST SIDE UNION HIGH SCHOOL DISTRICT

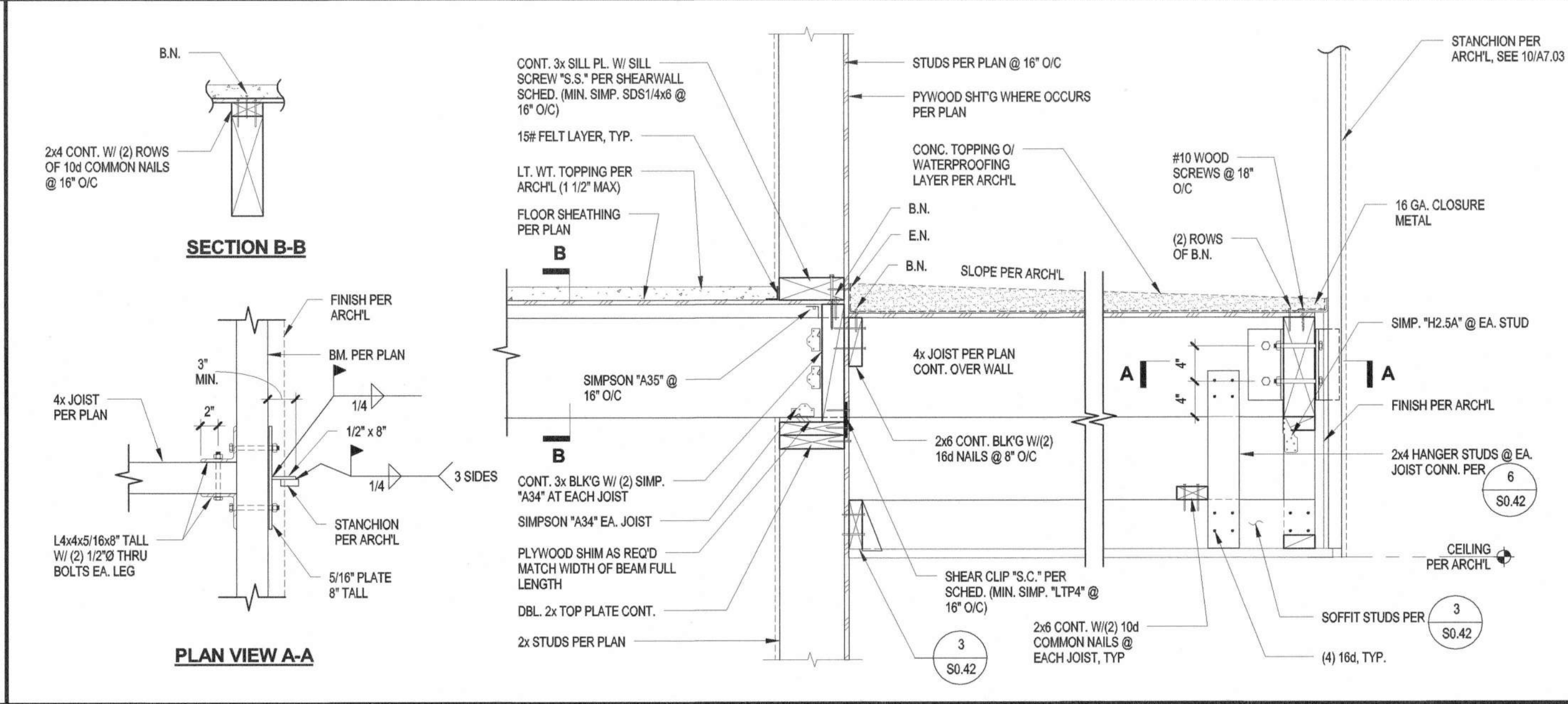
This set of plans shall be used only for the project identified on the title page. Any other use of these plans without the express written consent of LPA is prohibited. LPA and its affiliates shall not be held responsible for any errors or omissions in these plans. The user of these plans shall be responsible for obtaining all necessary permits and for compliance with all applicable codes and regulations. LPA and its affiliates shall not be held responsible for any damage or injury resulting from the use of these plans.

Revision	Date	Description
1	03/17/16	SCHEMATIC DESIGN
2	05/12/16	DESIGN DEVELOPMENT
3	06/15/16	50% CONSTRUCTION DOCUMENTS
4	07/27/16	80% CONSTRUCTION DOCUMENTS
5	08/12/16	ISSA SUBMITTAL
6	03/08/17	ISSA APPROVAL

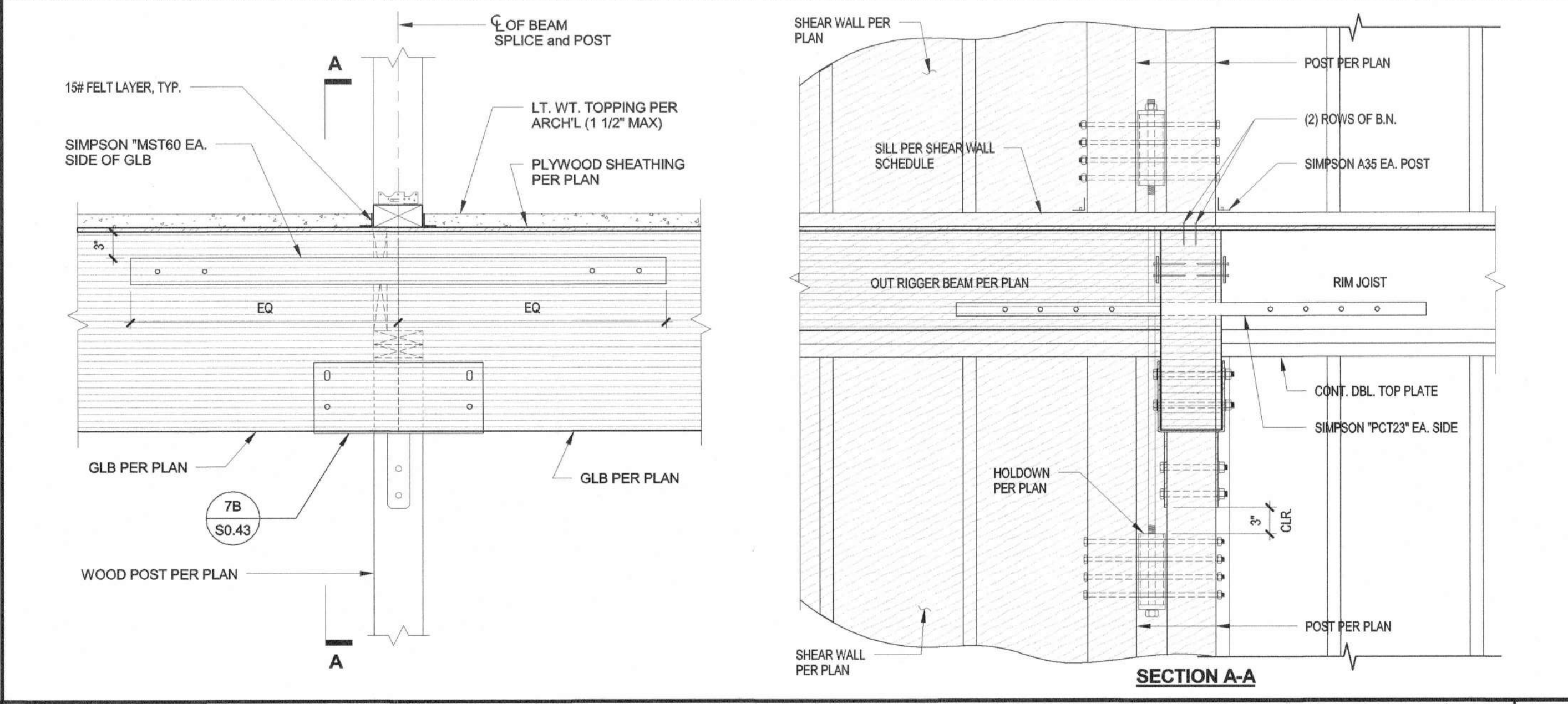
Job No. 1602010  
 Date 06/12/2016  
 Checked by DW  
 Scale As Indicated



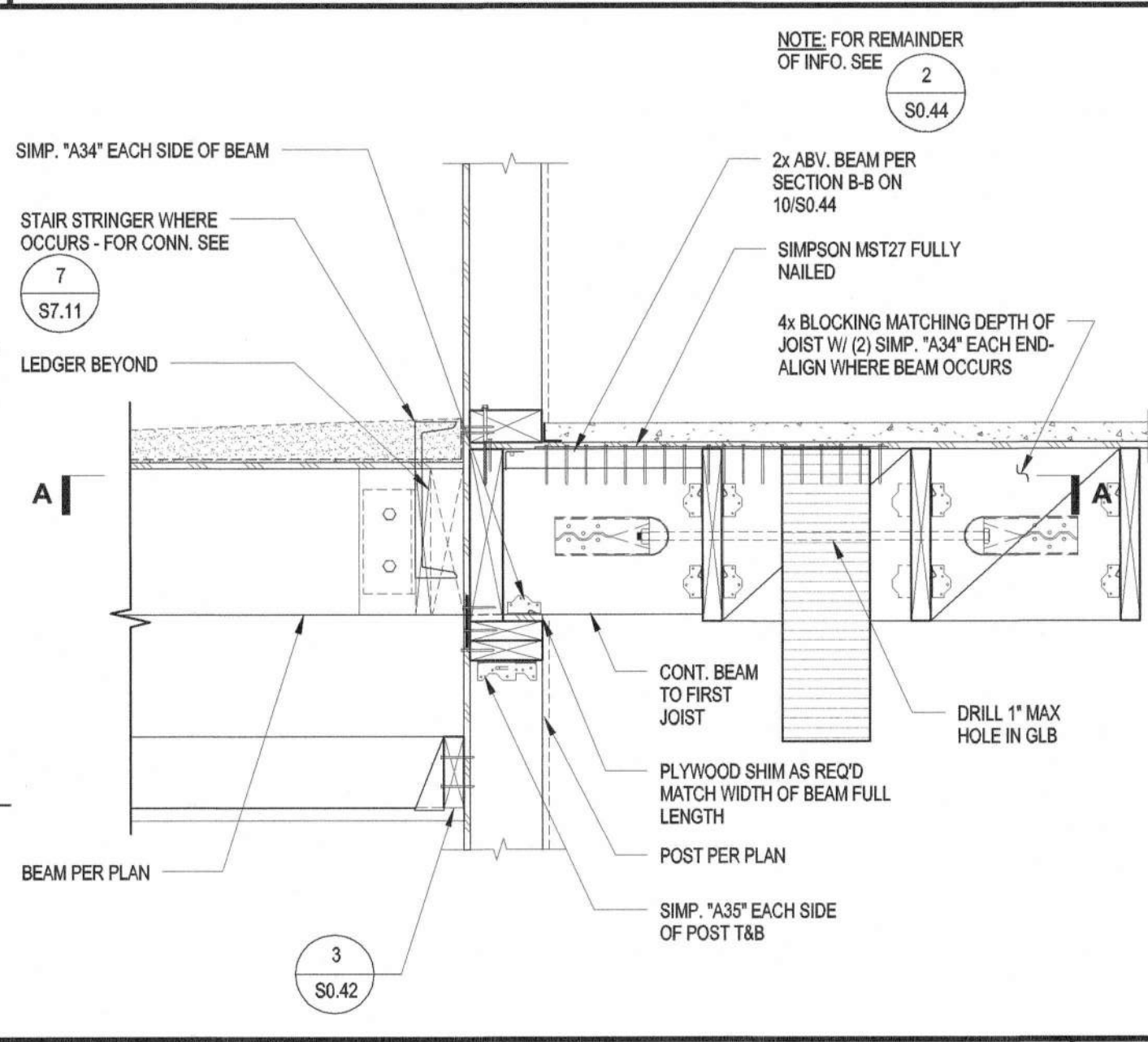
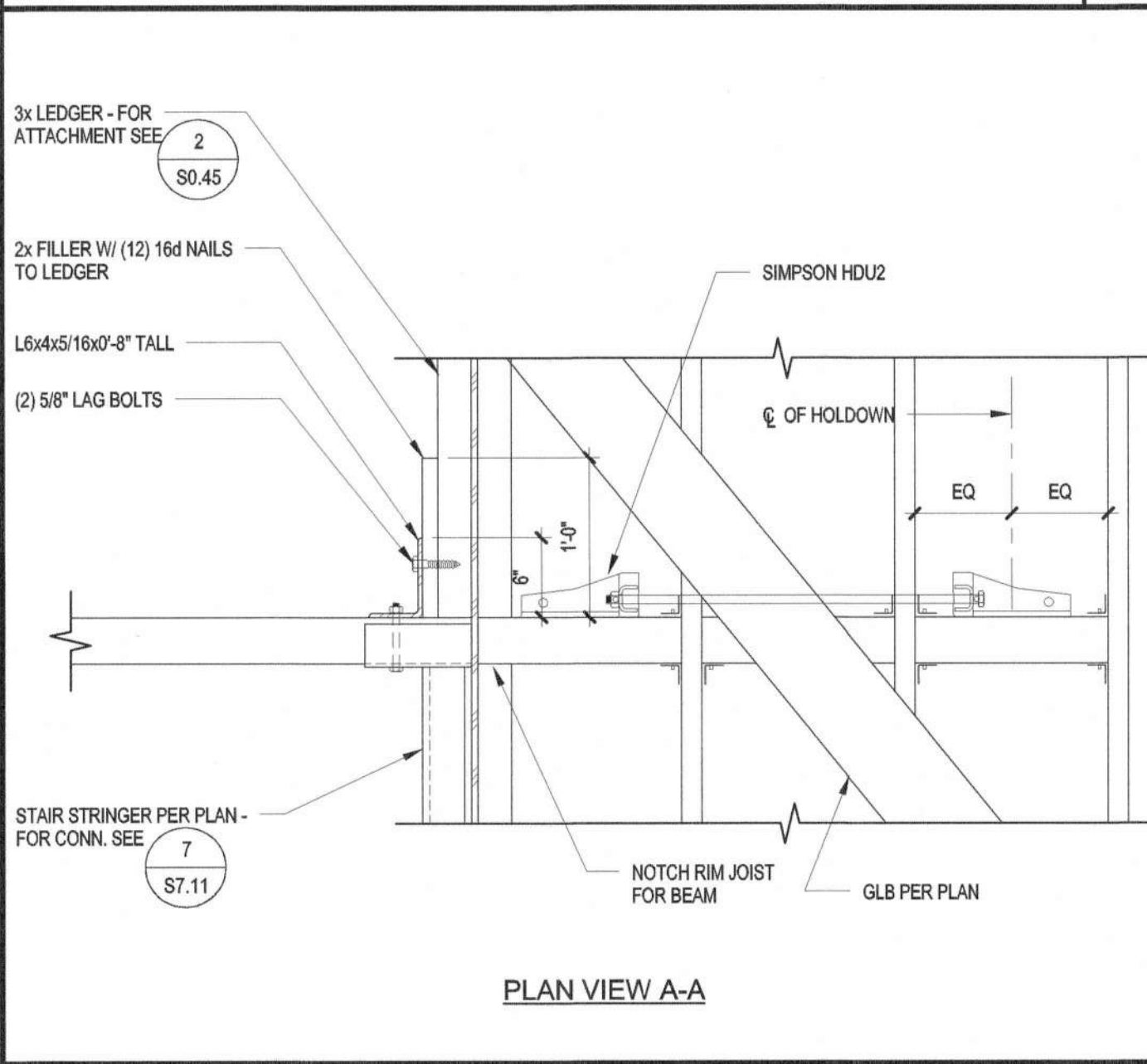
GLB BEAM CONNECTION TO POST AT CORNER 15



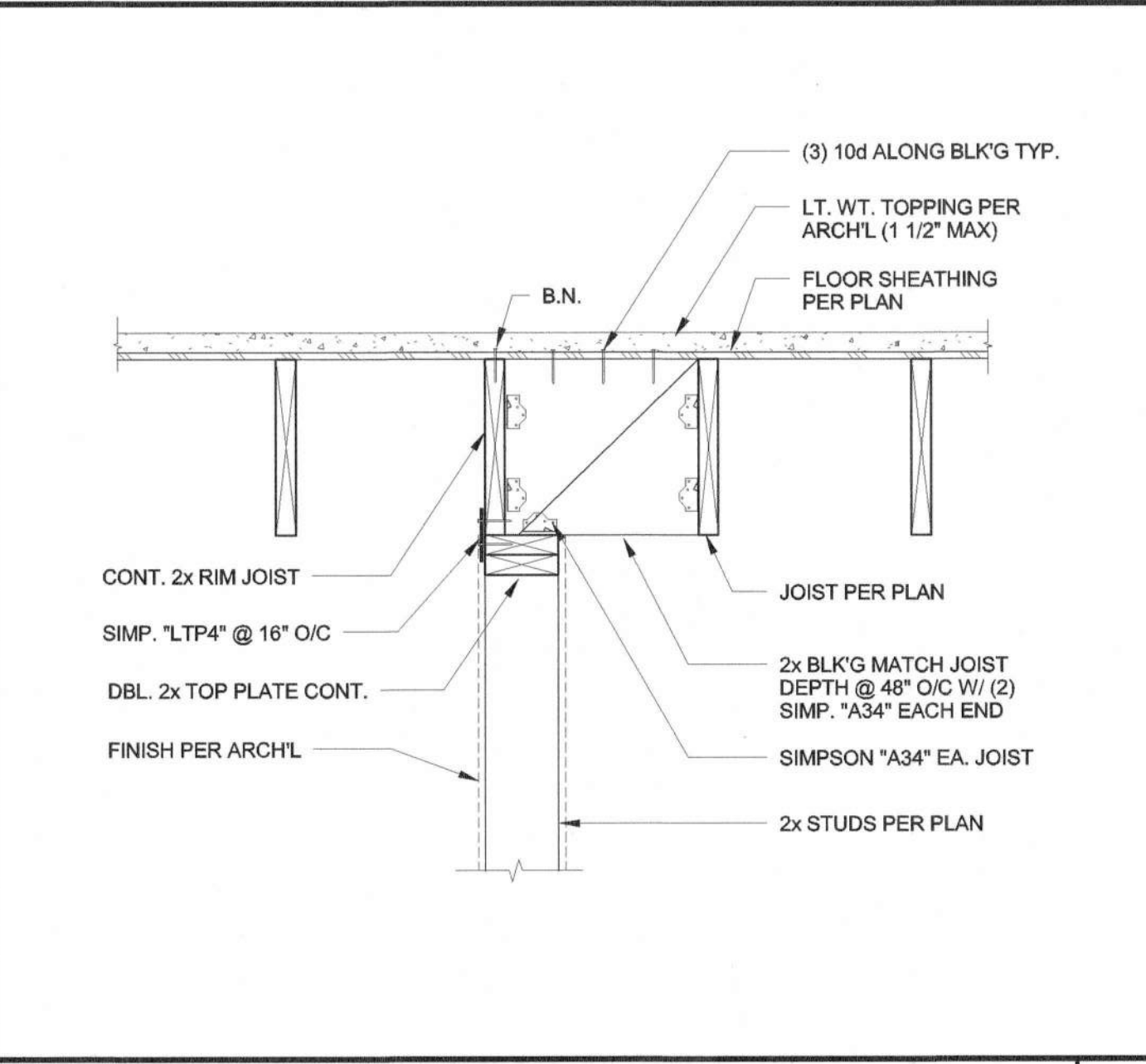
FLOOR SECTION 10



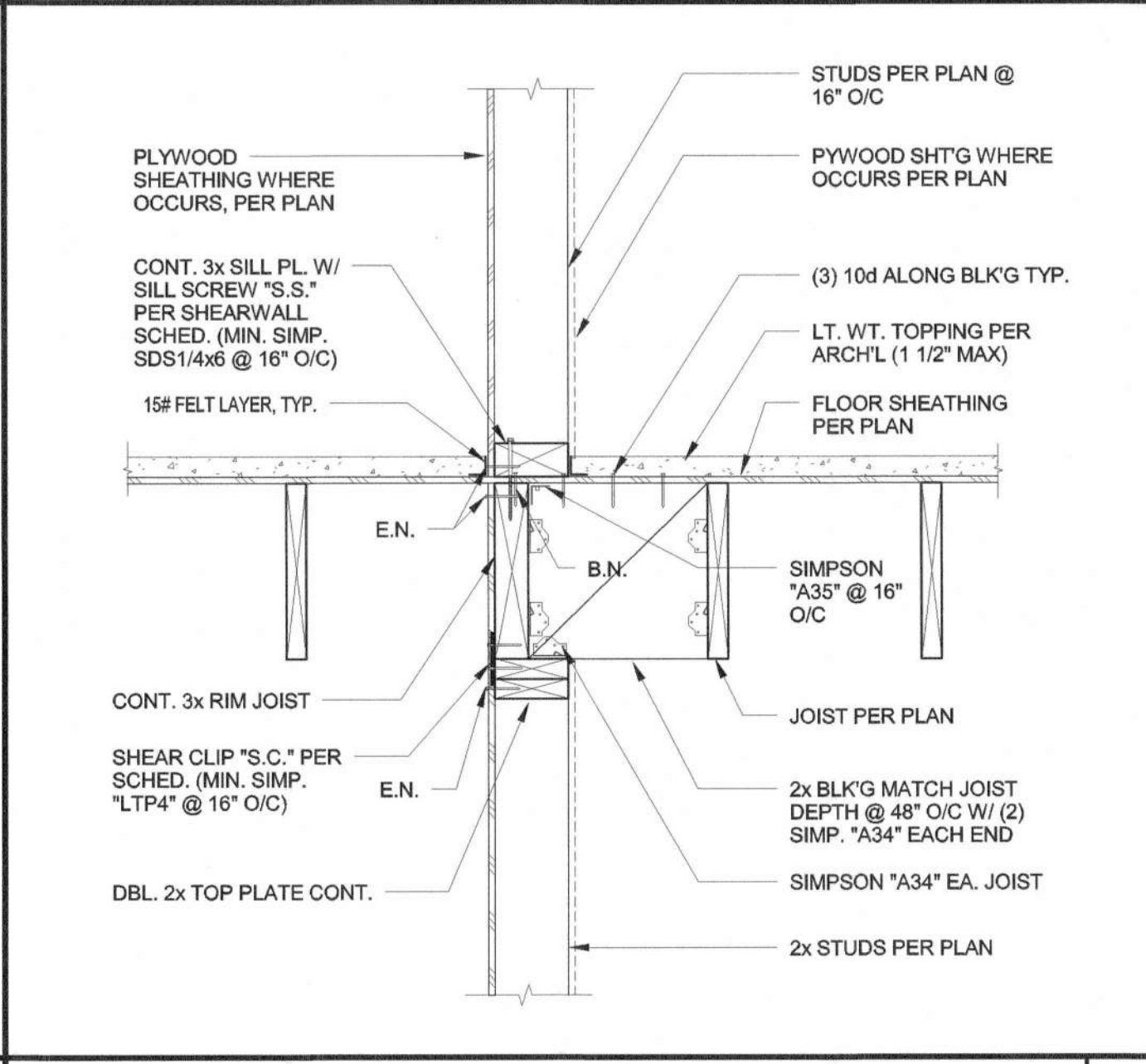
WALL TO WALL HOLDOWN AT GLB/POST CONN. 4



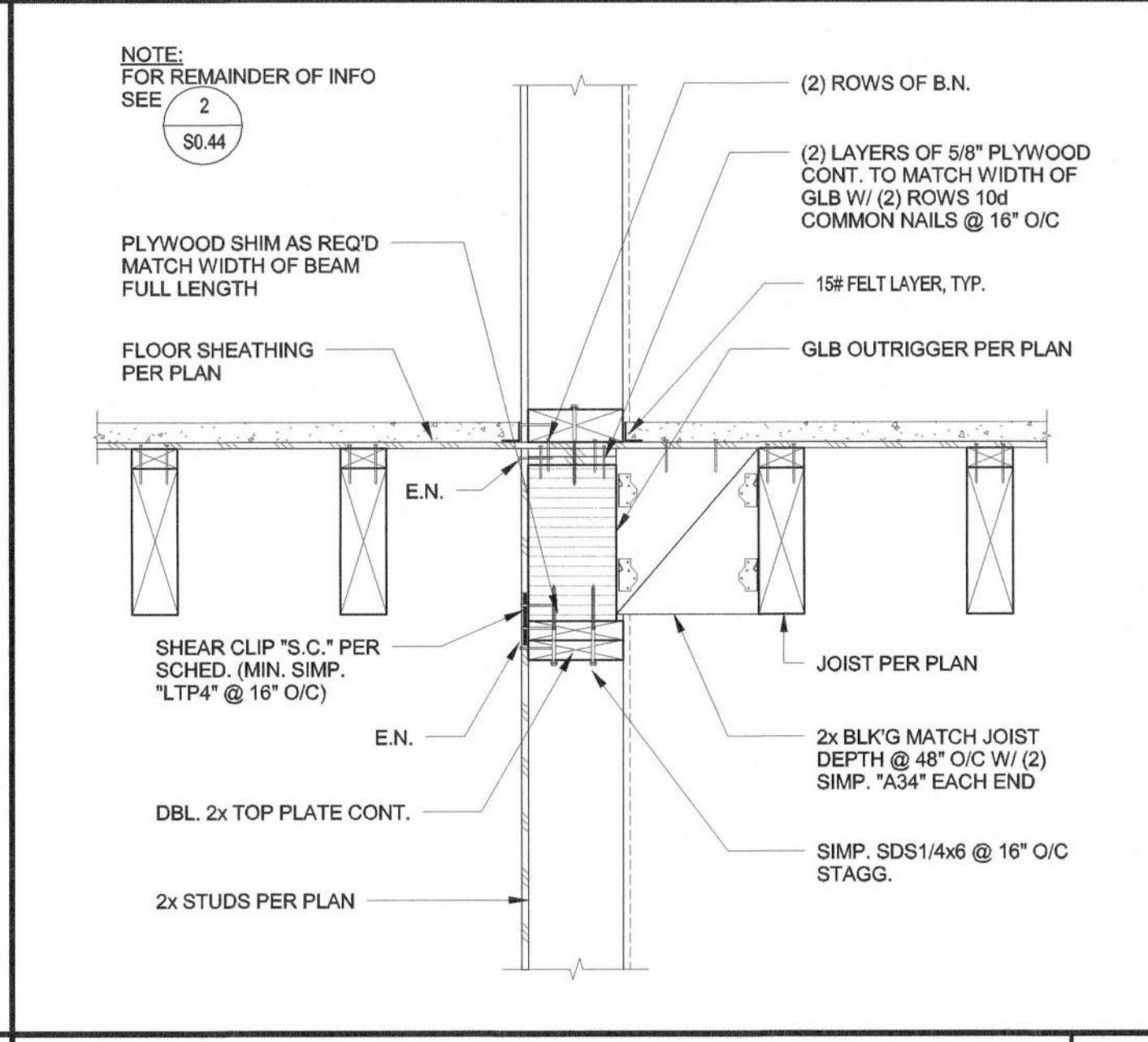
BEAM TO EXTERIOR WALL DETAIL 12



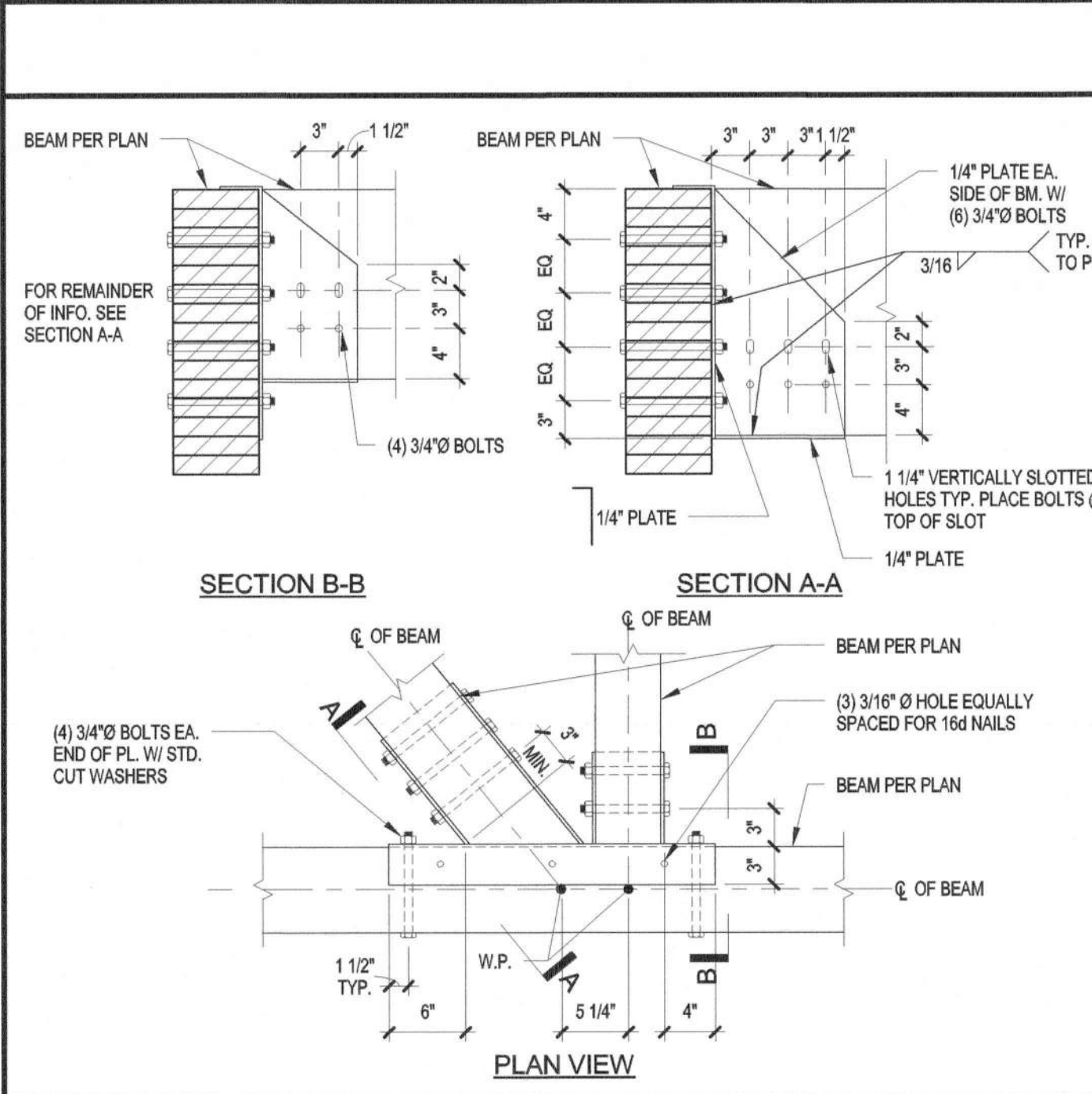
WALL PARALLEL TO JOIST 9



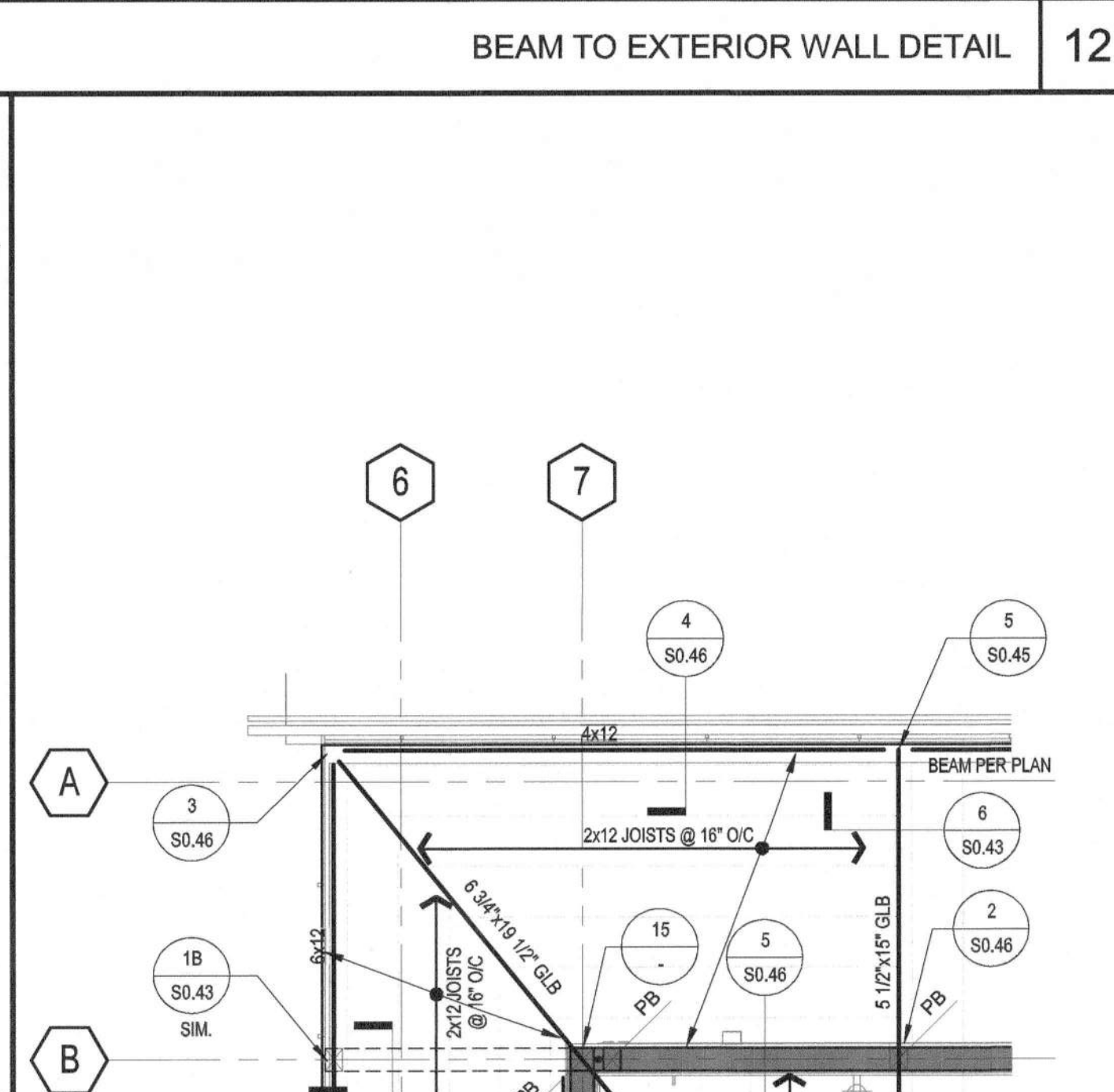
WALL PARALLEL TO JOIST CONN. 7



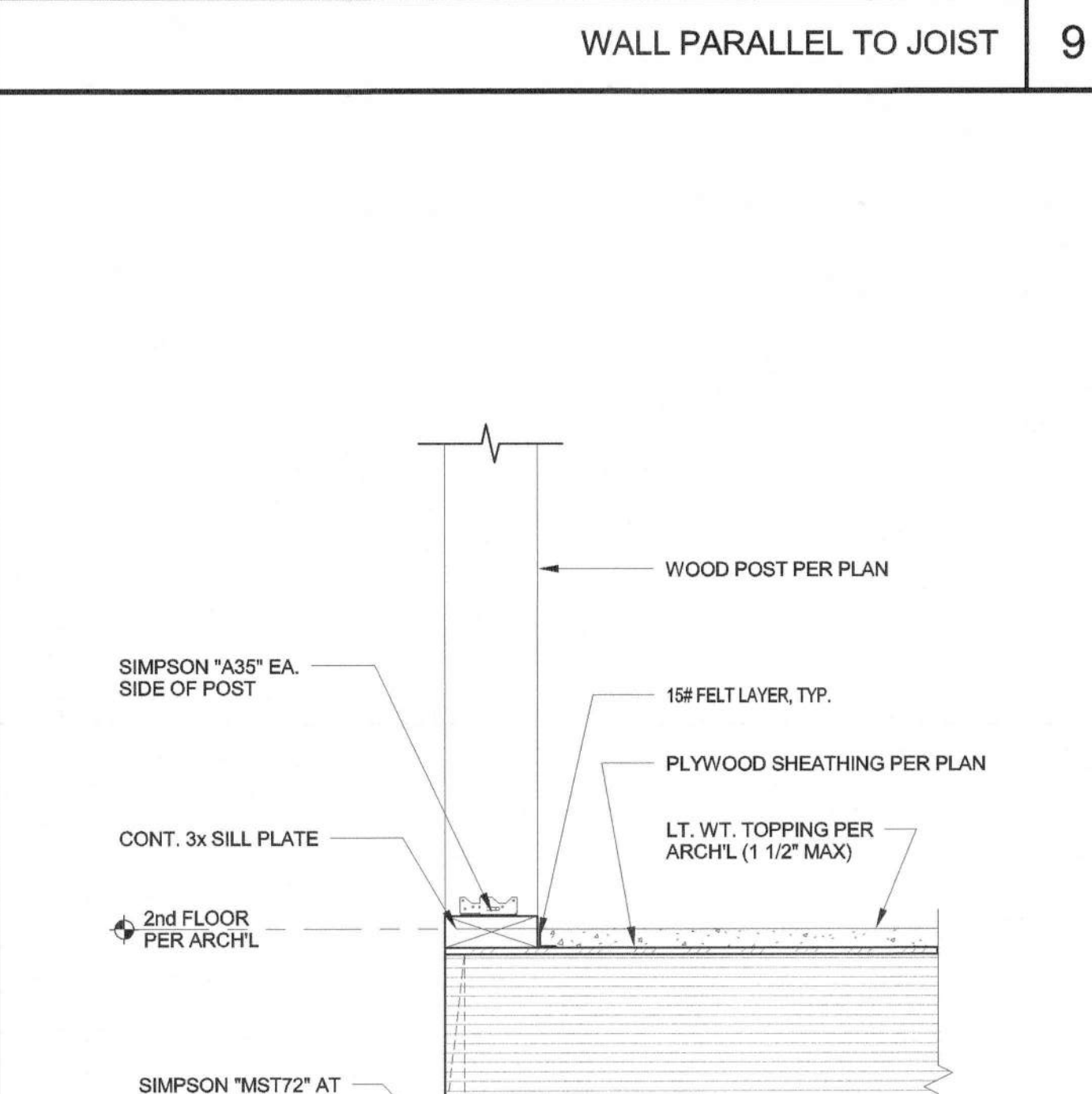
WALL PARALLEL TO GLB OUTRIGGER CONN. 3



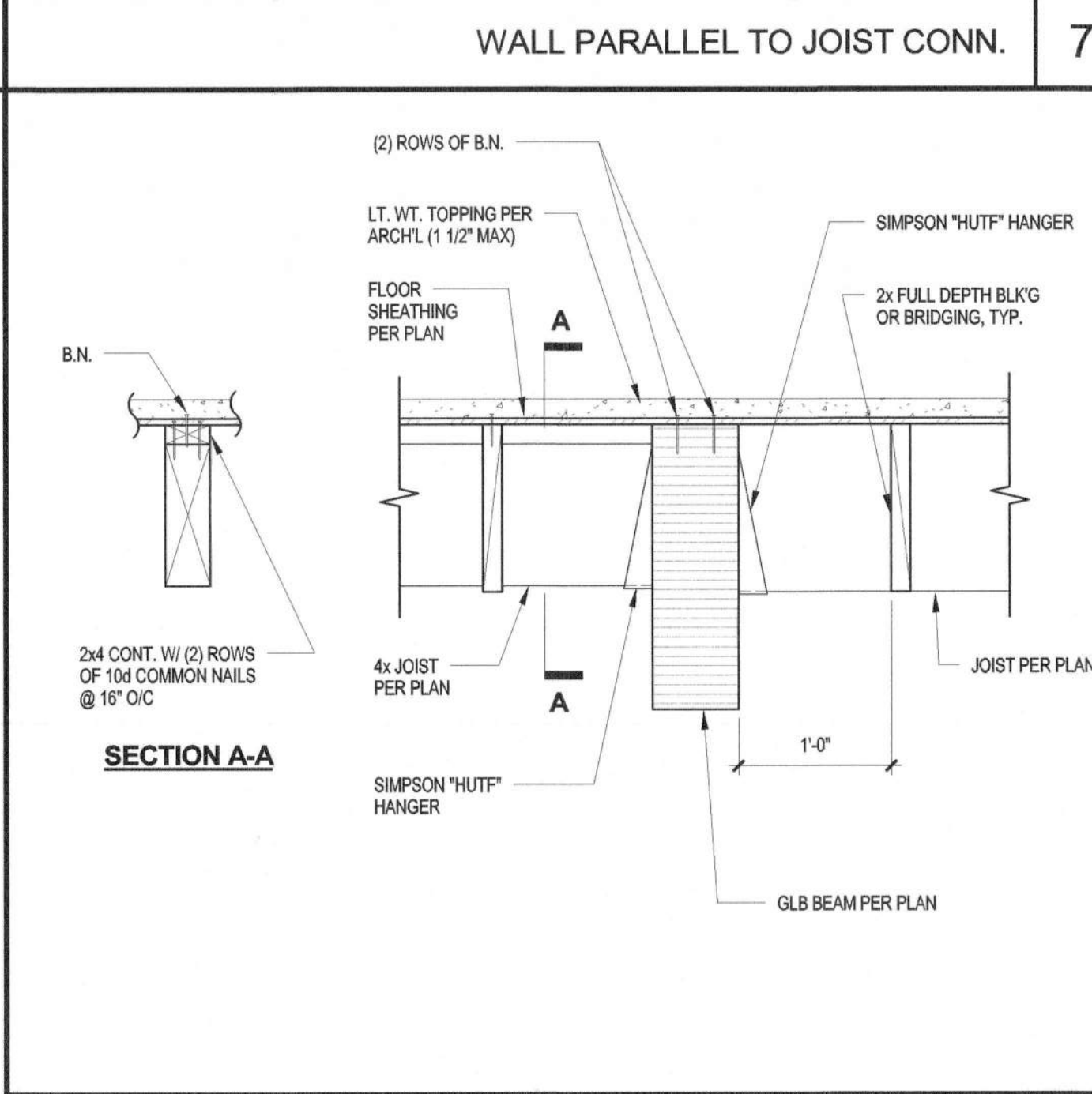
DETAIL AT BEAM TO BEAM CONNECTION 14



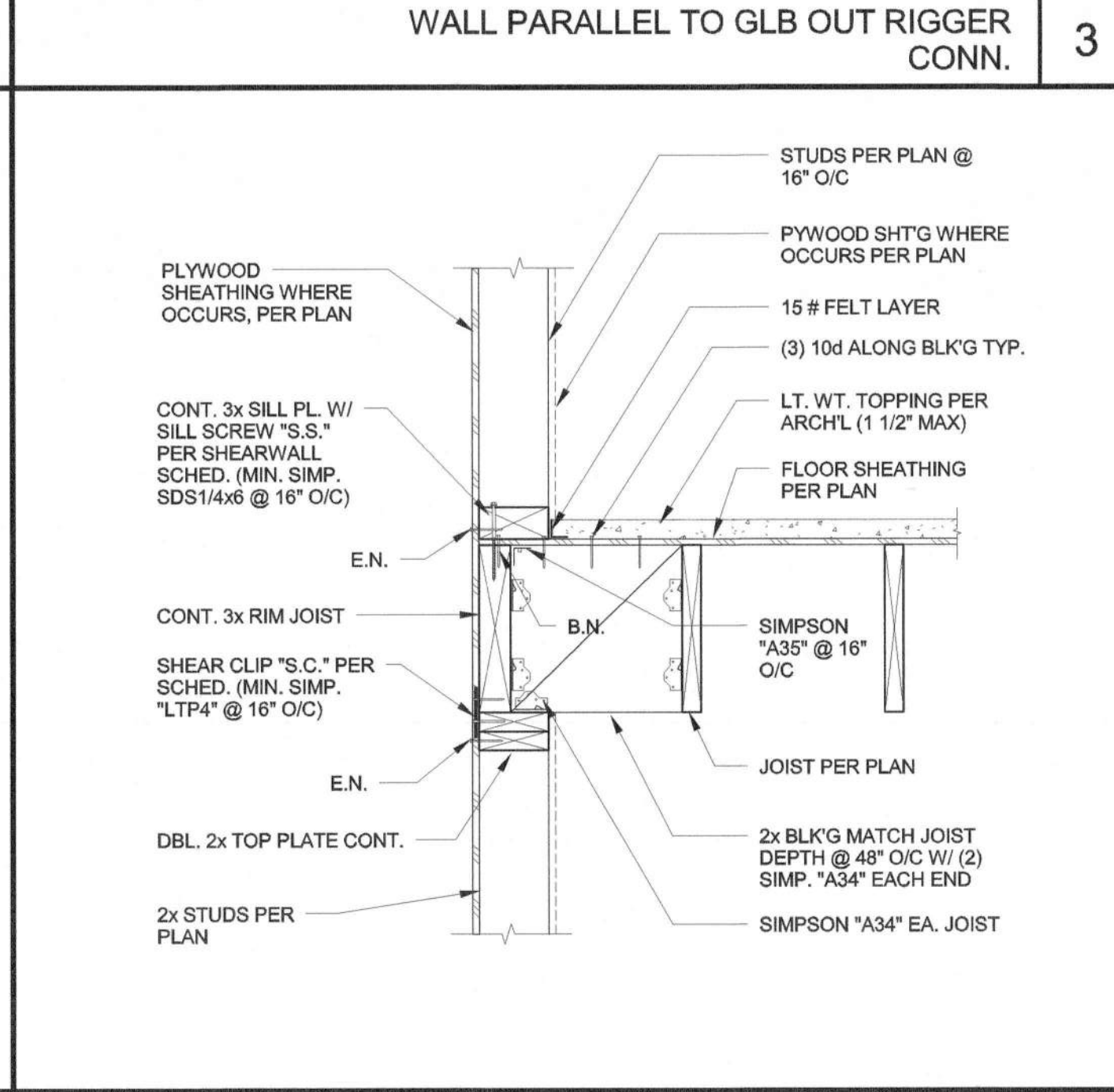
ENLARGED SECOND FLOOR FRAMING PLAN 11



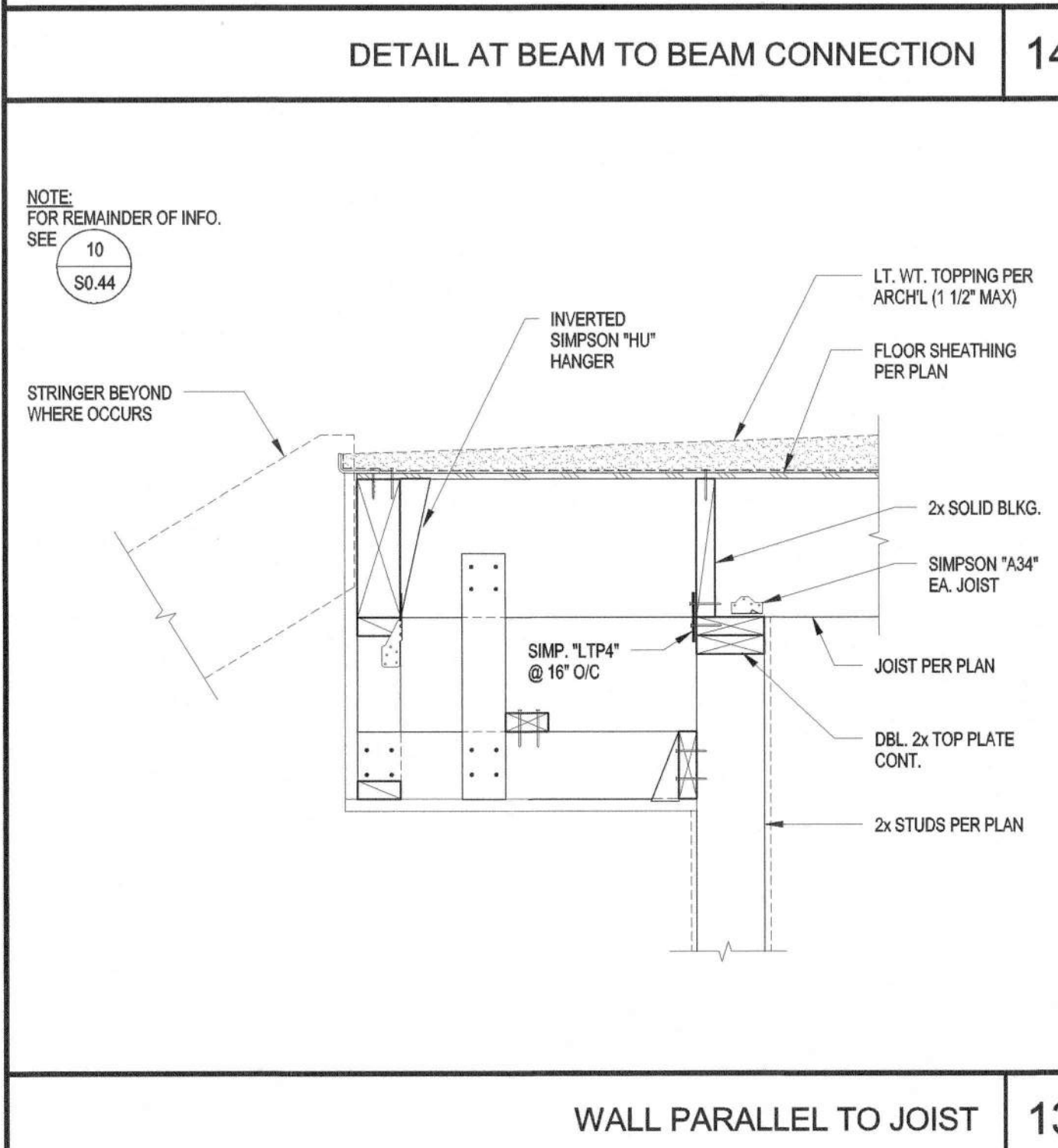
PERIMETER WALL TO WALL CONN. AT GLB HDR. 8



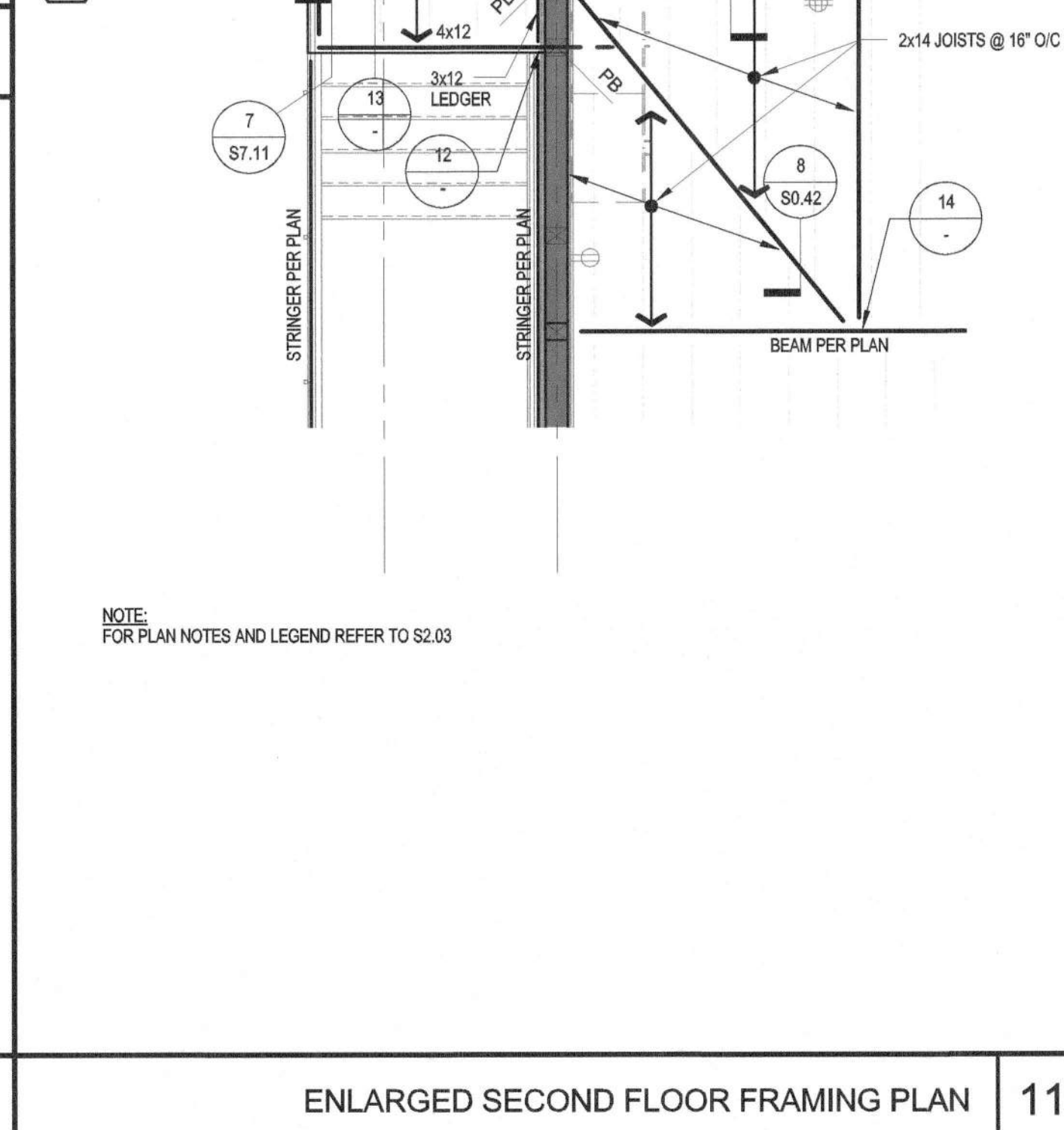
JOISTS TO GLB CONN. 6



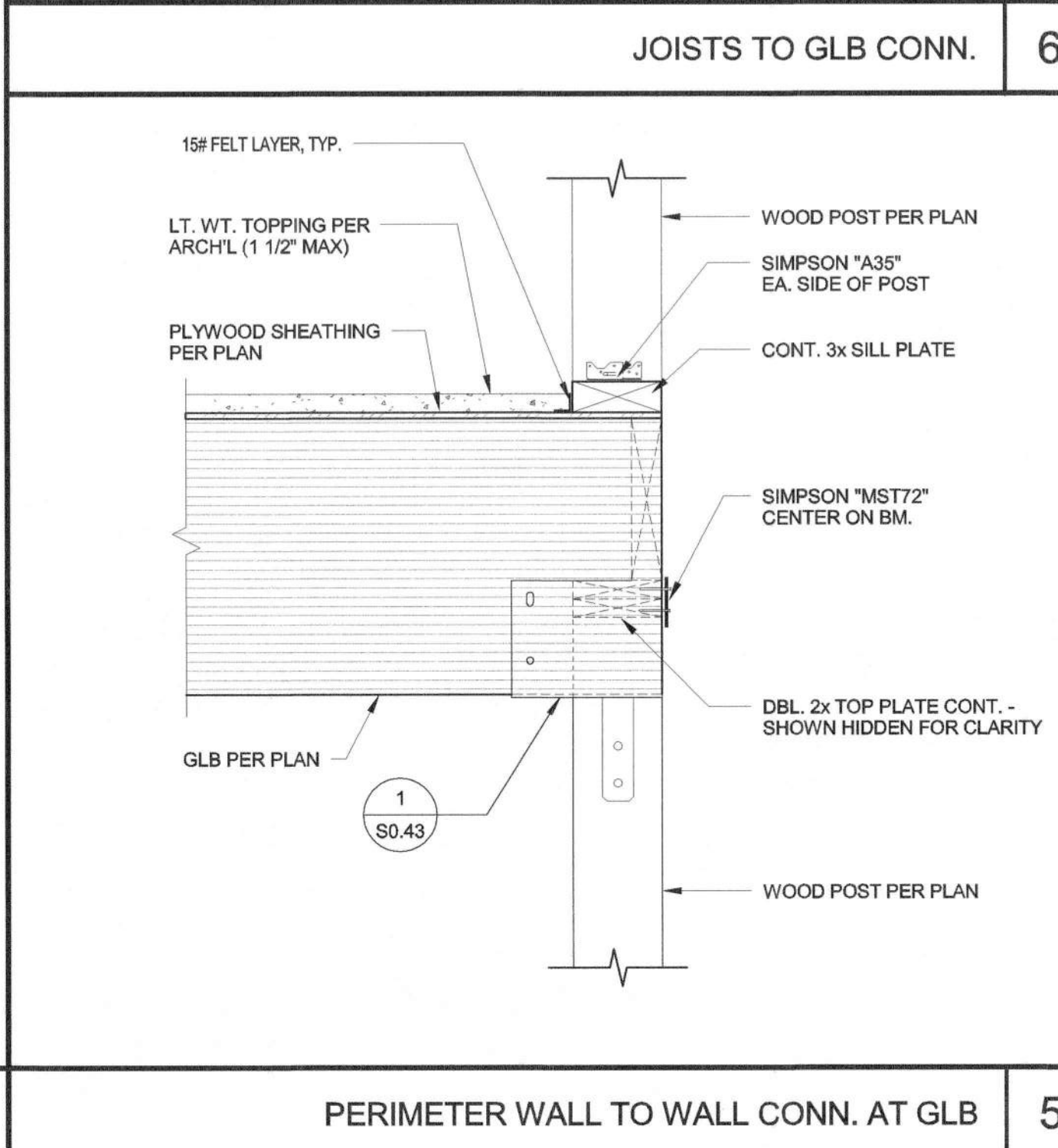
TYP. PERIMETER WALL PARALLEL TO JOIST CONN. 2



WALL PARALLEL TO JOIST 13



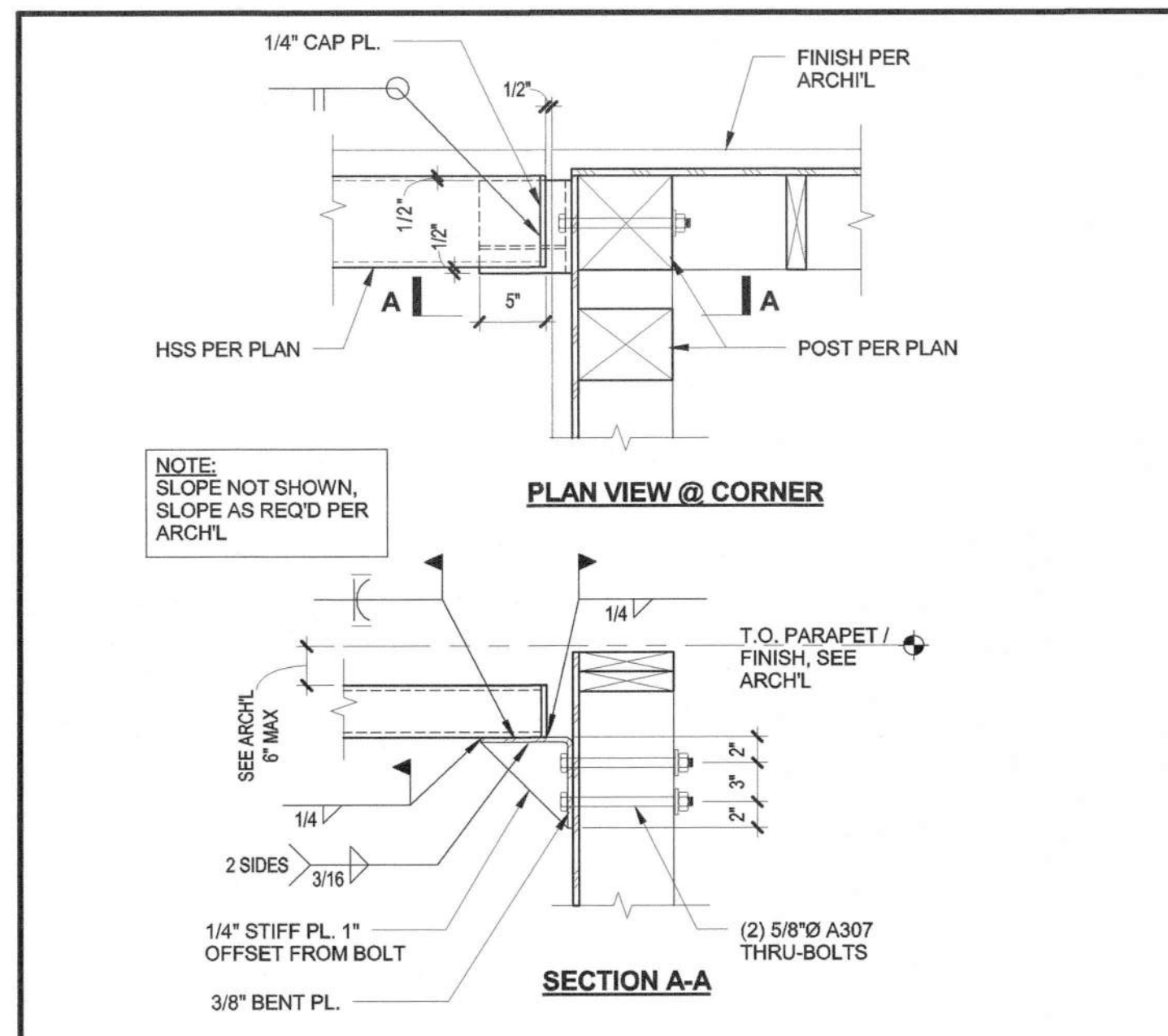
PERIMETER WALL TO WALL CONN. AT GLB 5



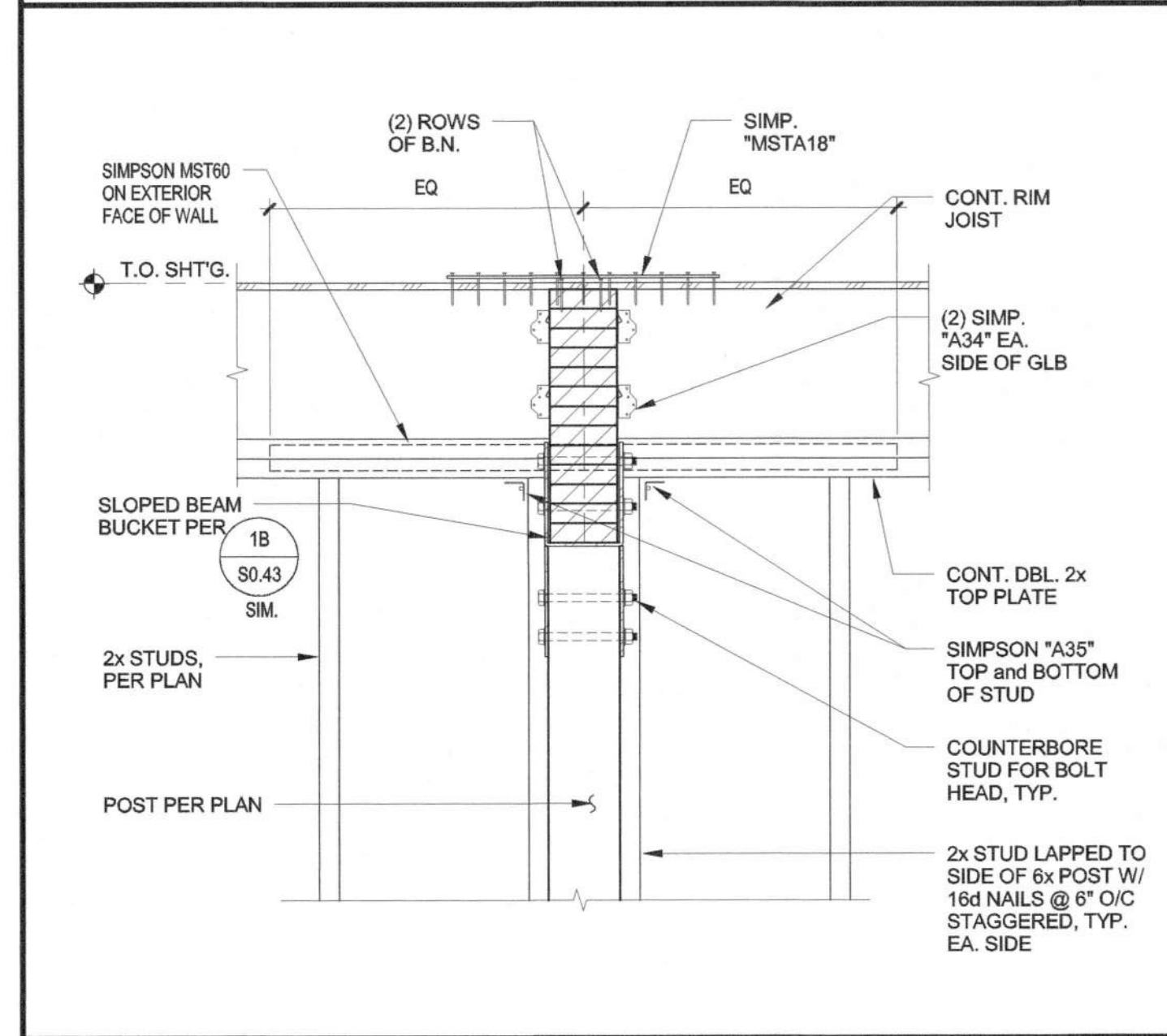
TYP. PERIMETER WALL PERPENDICULAR TO JOIST CONN. 1

Professional seal for LPA ARCHITECTS and a revision table. The seal includes the name 'DANIEL J. LARSEN', license number '122118', and the title 'REGISTERED ARCHITECT'. The revision table has columns for Date, Description, and Author. Below the table, project information includes 'Job No. 1602010', 'Date: 08/12/2016', and 'Scale: As Indicated'. The footer contains 'TYPICAL WOOD FRAMING DETAILS' and 'S0.44'.

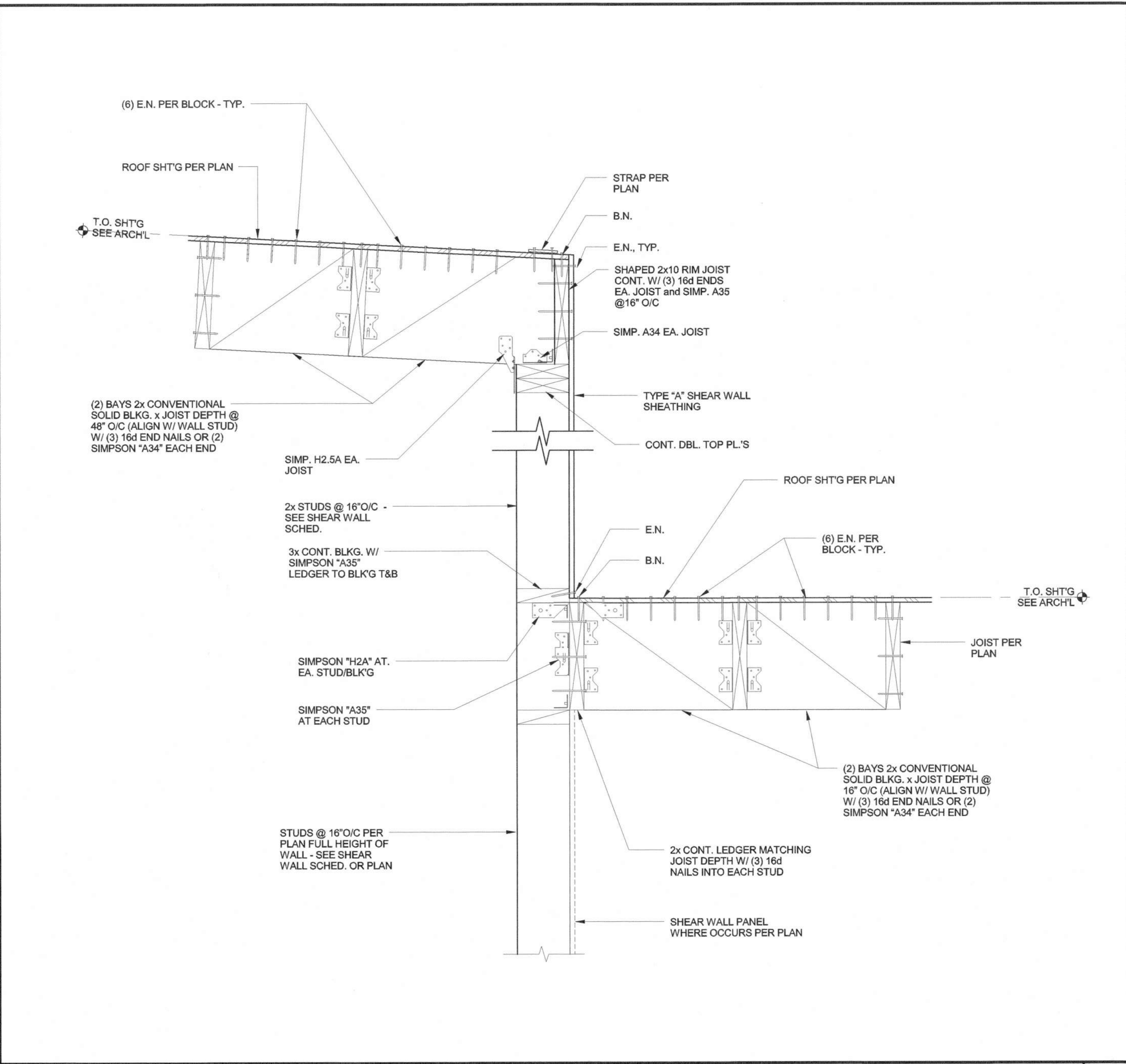




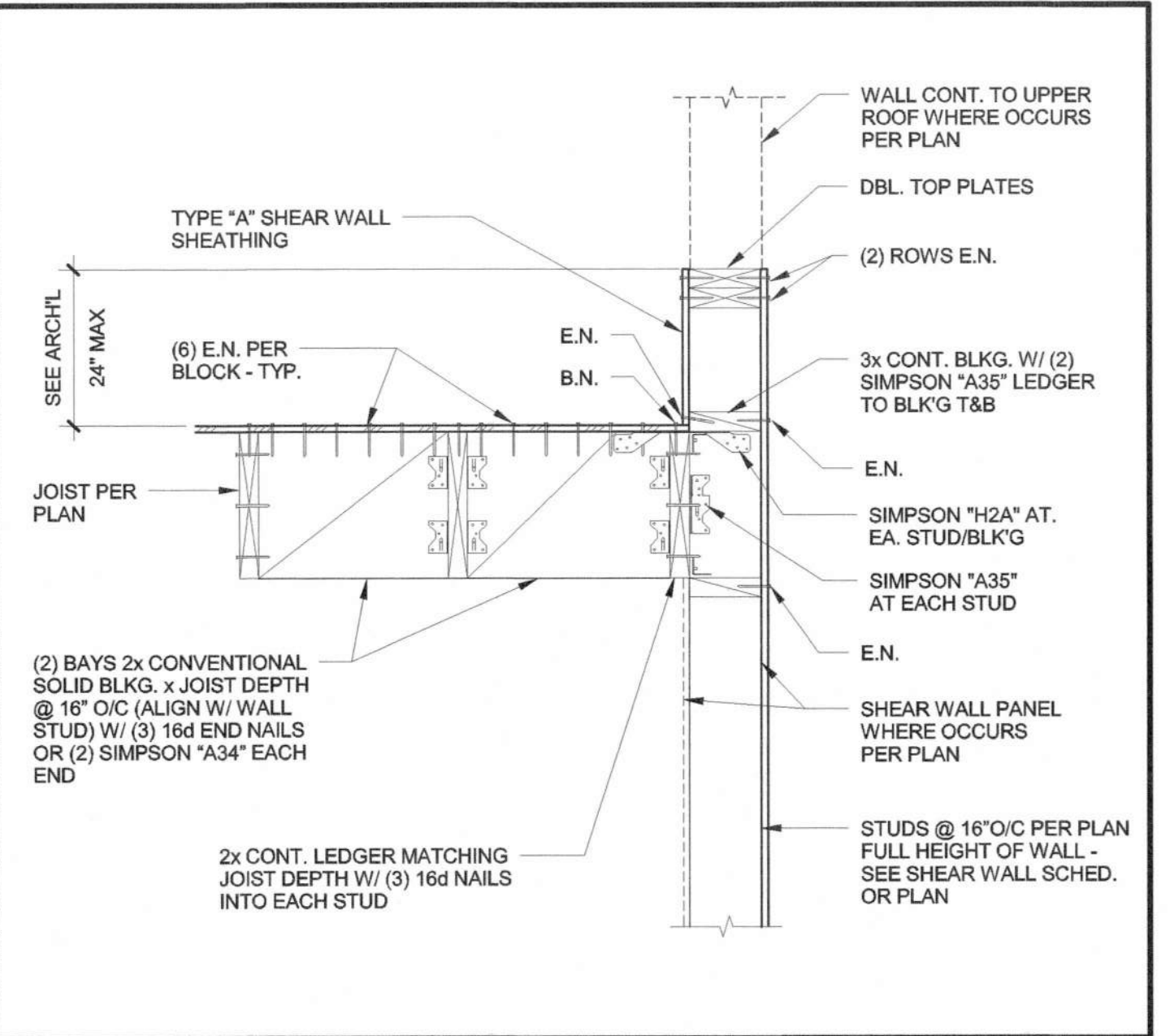
HSS HORIZ. GIRTS TO POST CONN. 13



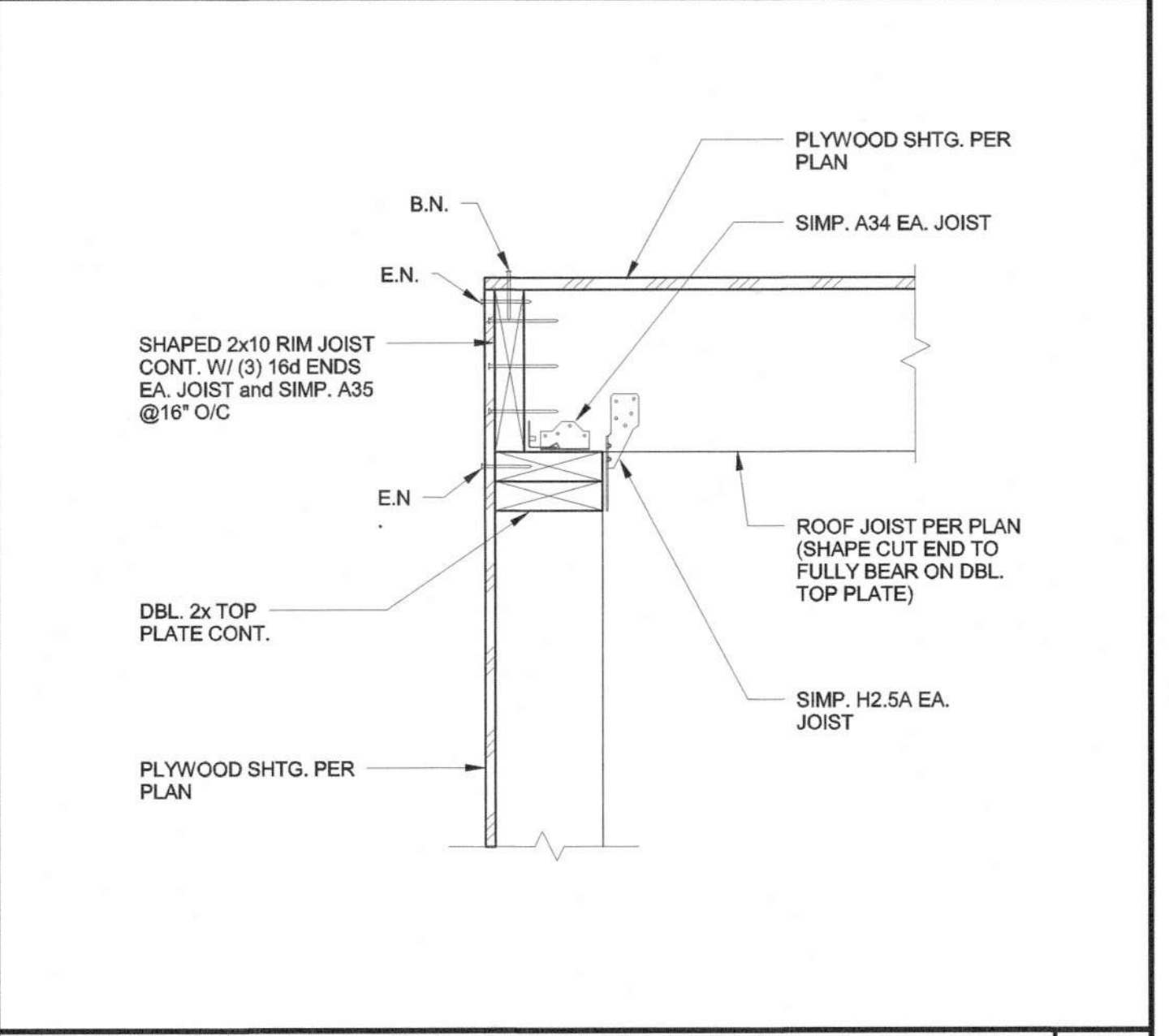
TYP. BEAM TO POST IN WALL 12



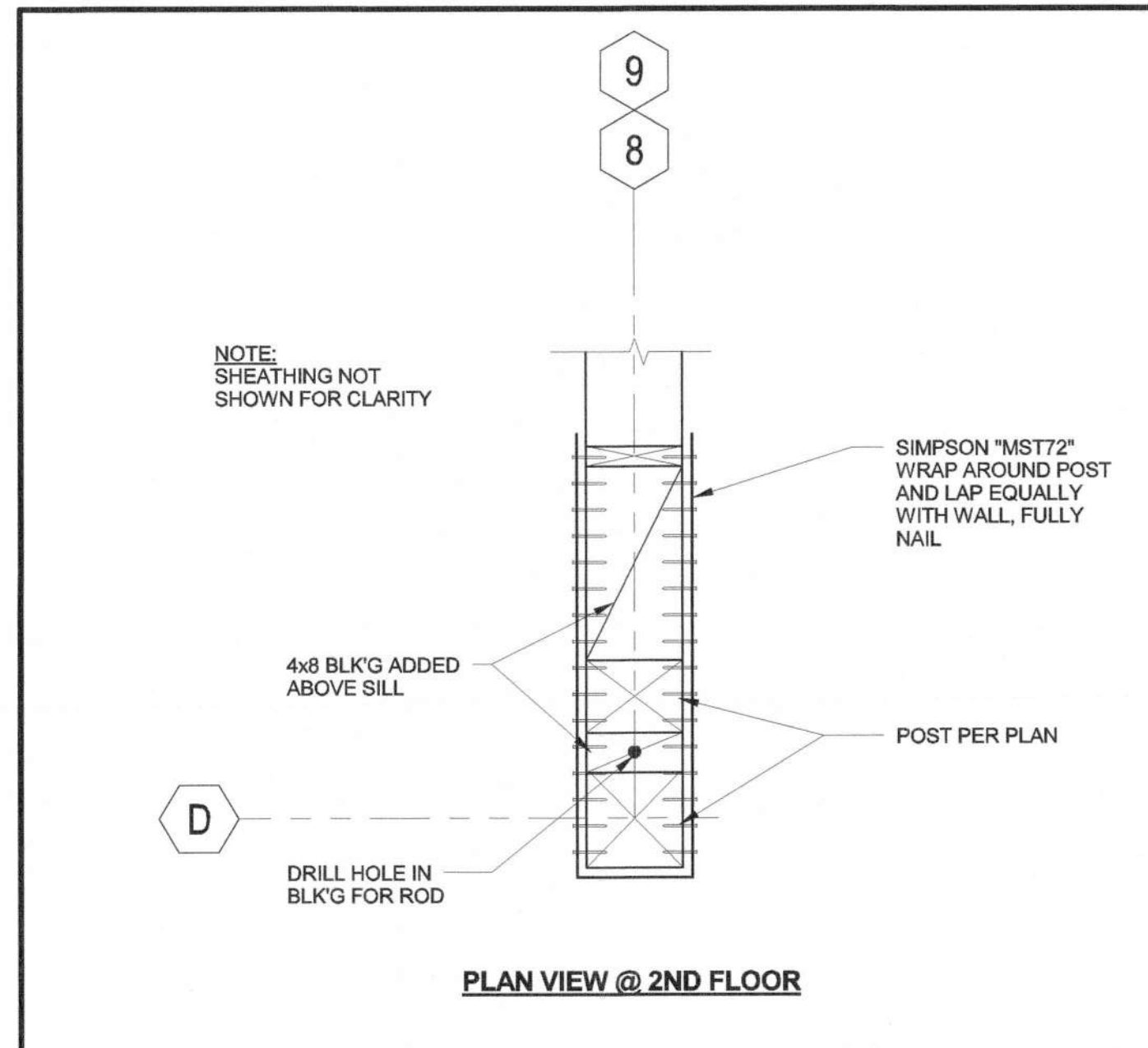
SECTION THRU MECH'L WELL ROOF/WALL 7



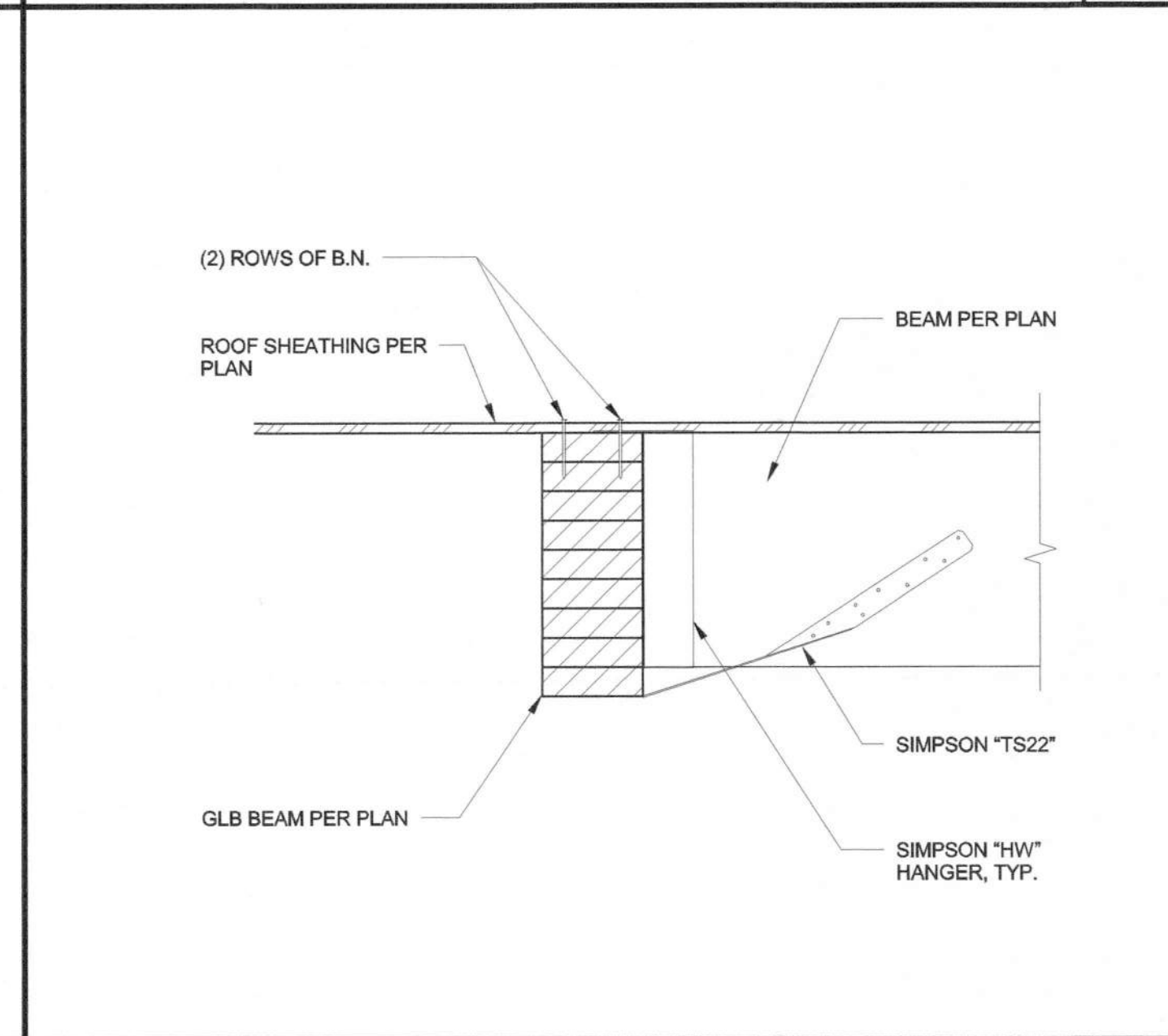
WALL / ROOF PARALLEL TO FRAMING 4



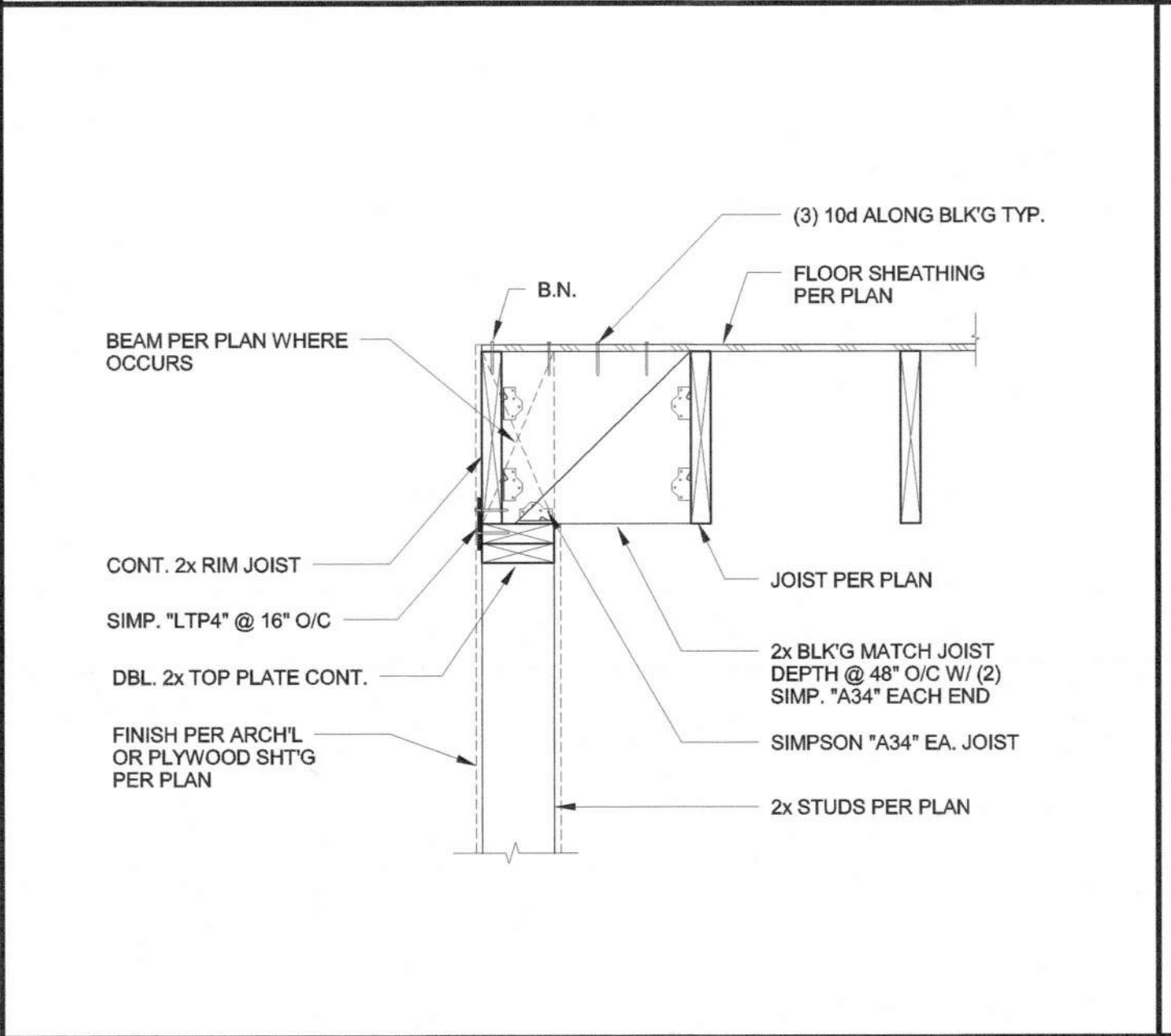
ROOF EDGE DETAIL 3



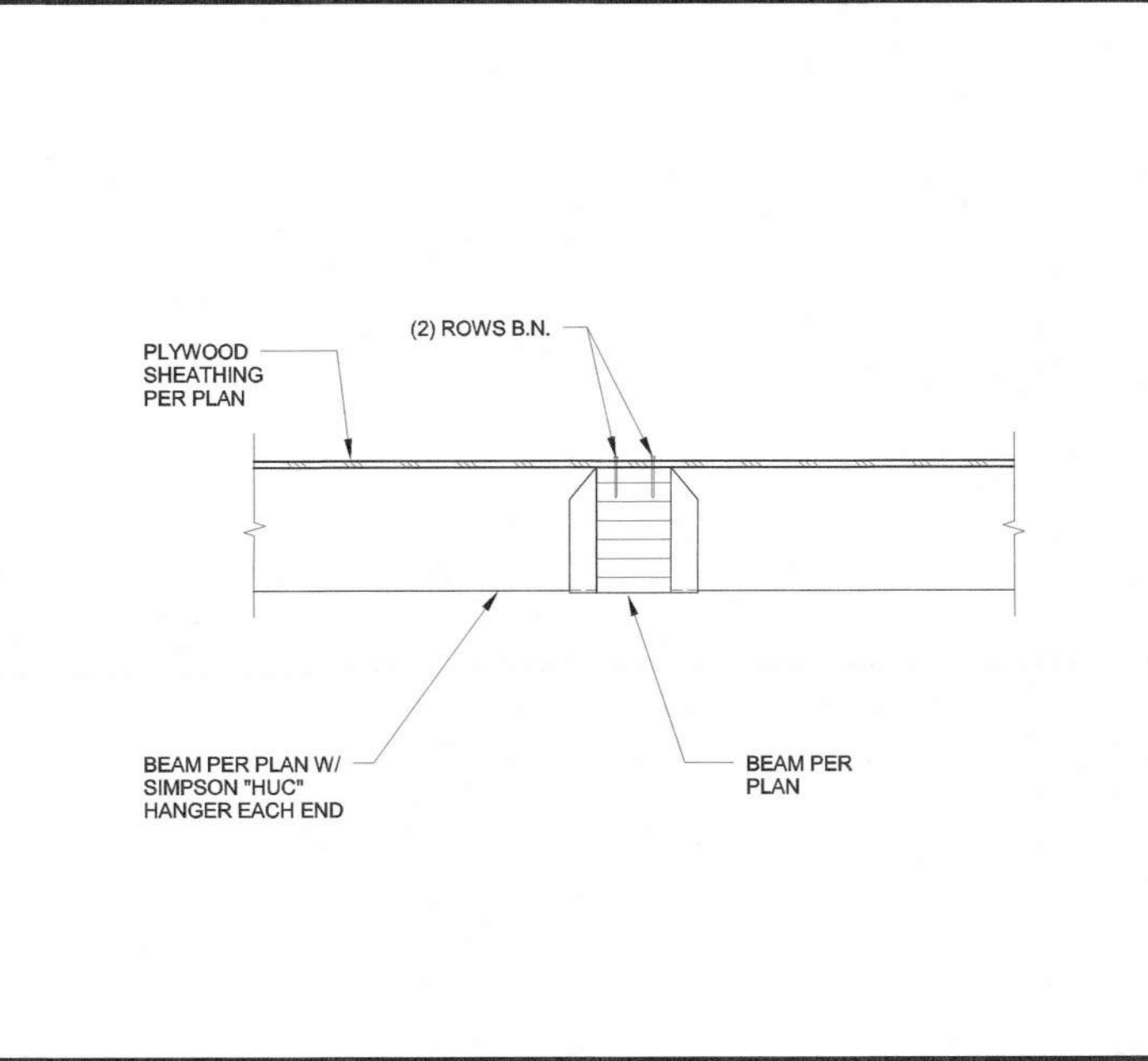
POST BASE AT 2ND FLOOR AT GRIDS 8/9 & D 15



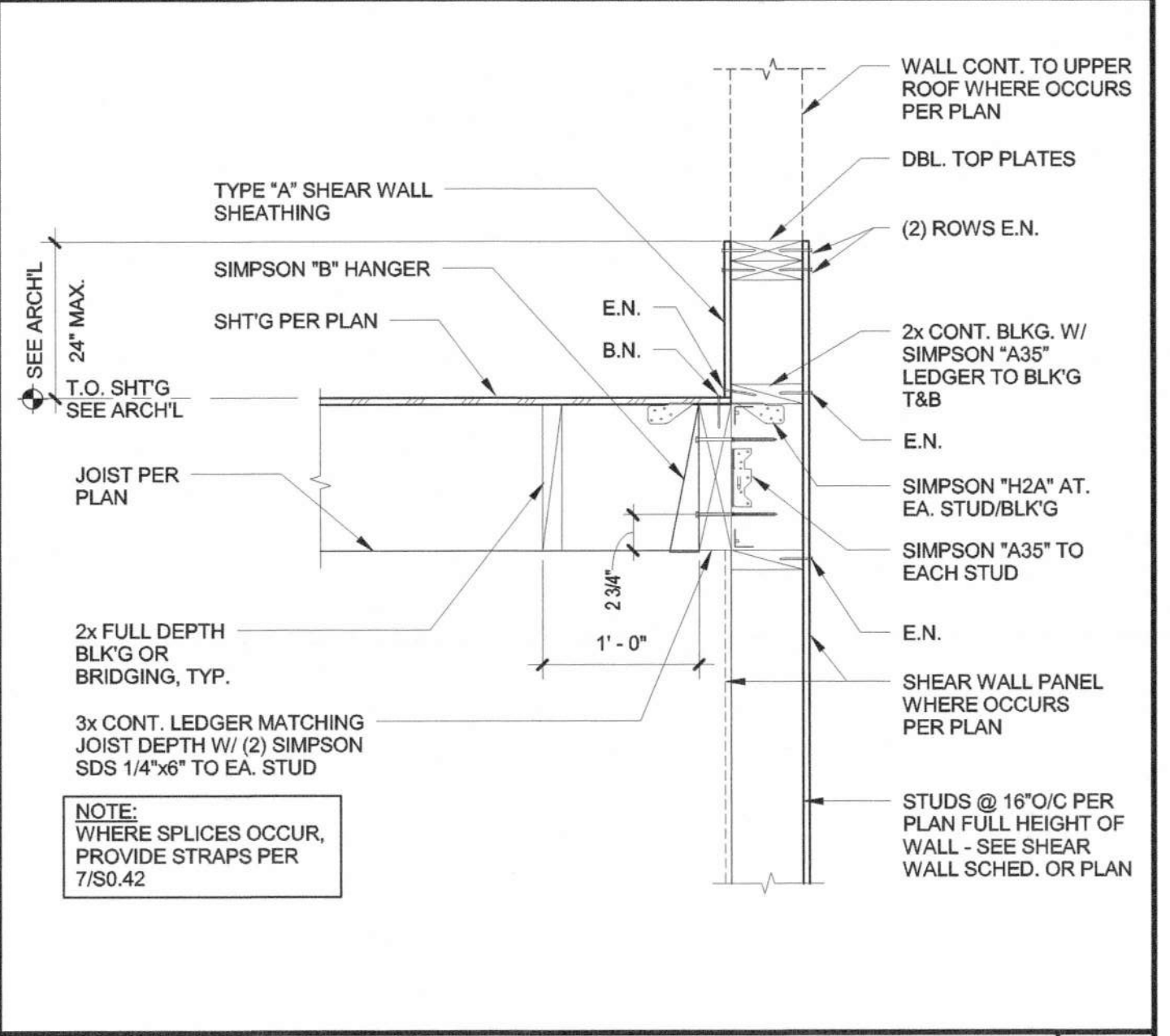
BEAM TO BEAM DETAIL 11



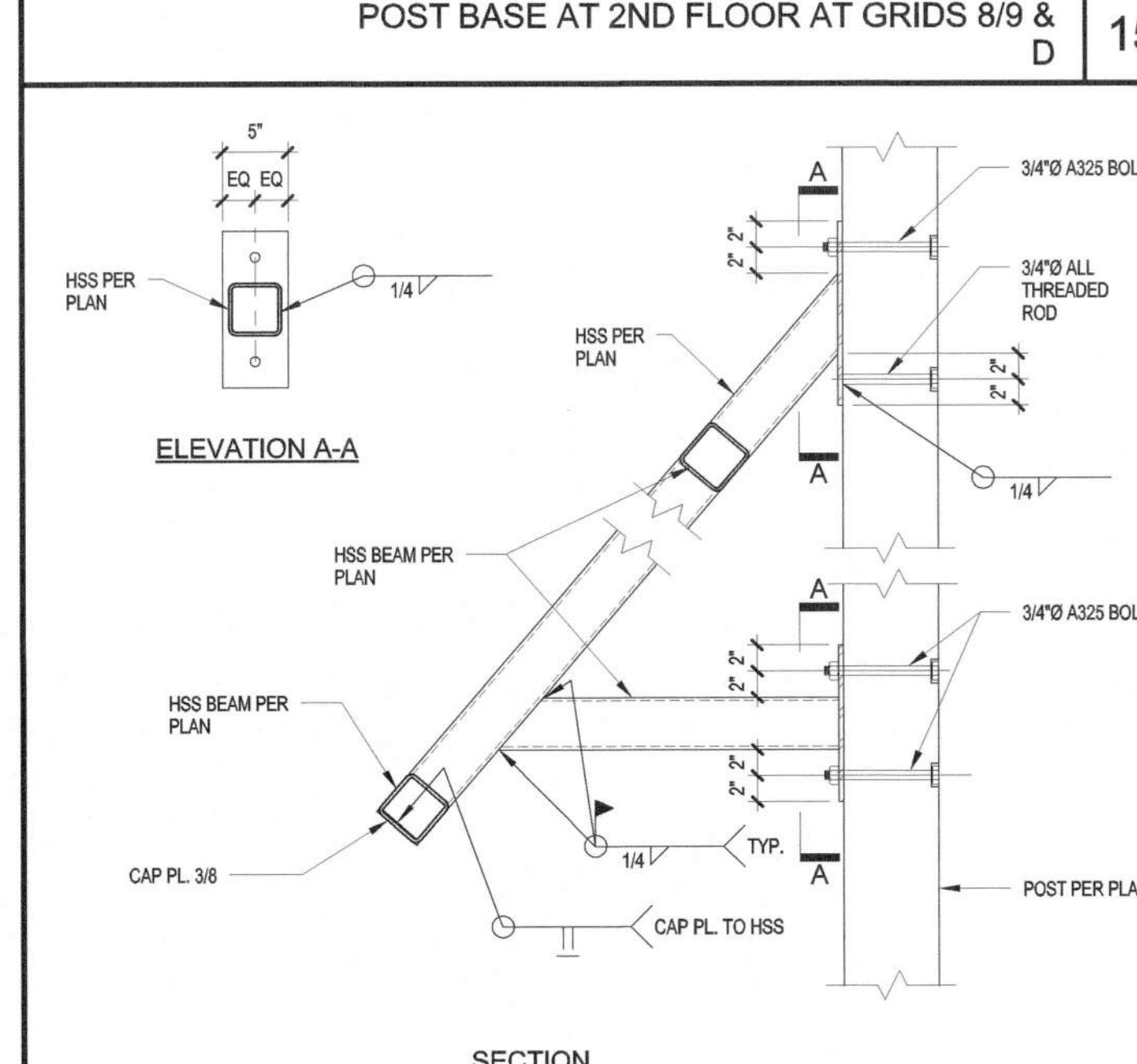
WALL TO CANOPY ROOF CONN. 9



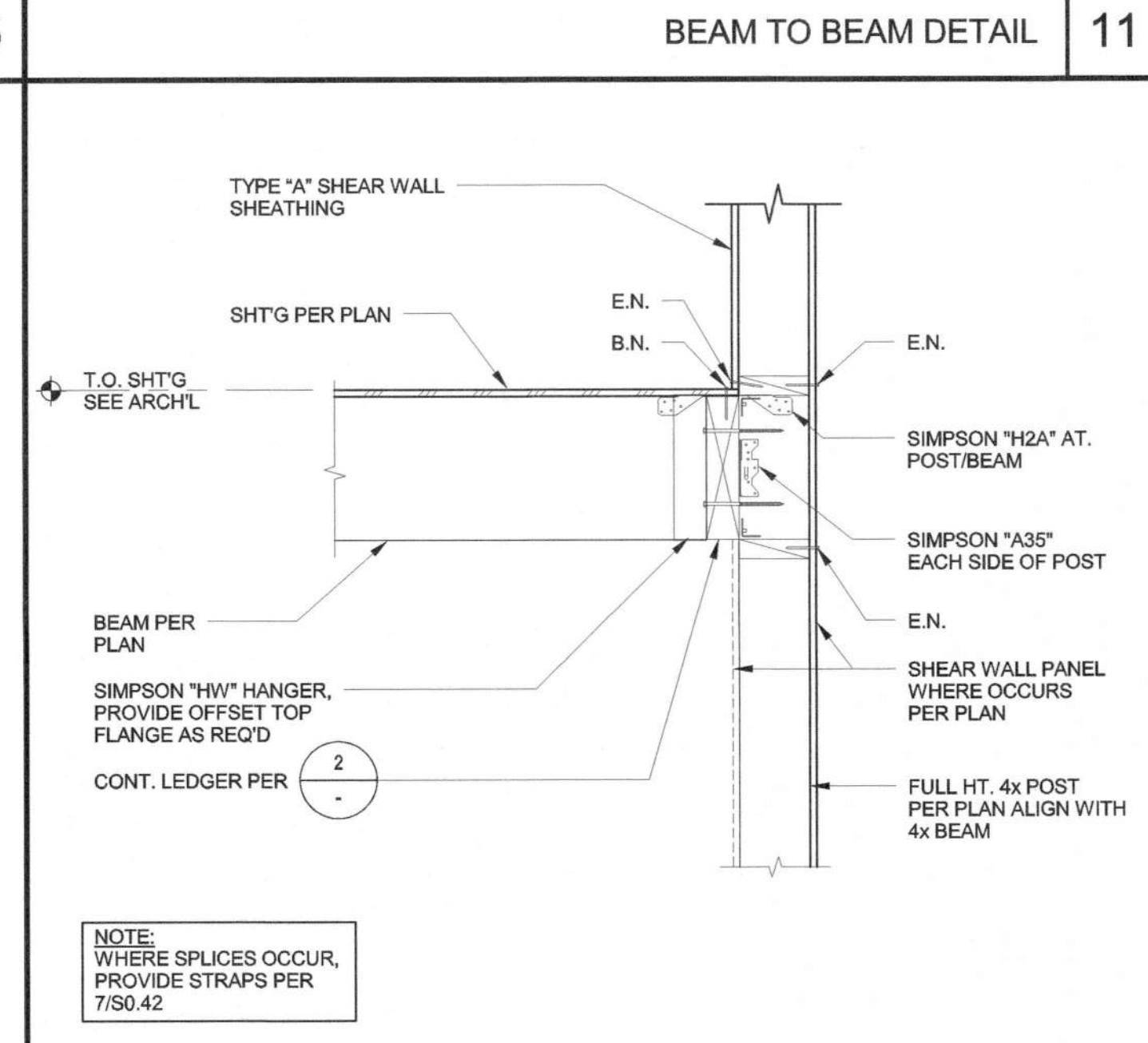
PERIMETER BEAM CONN. @ CANOPY 6



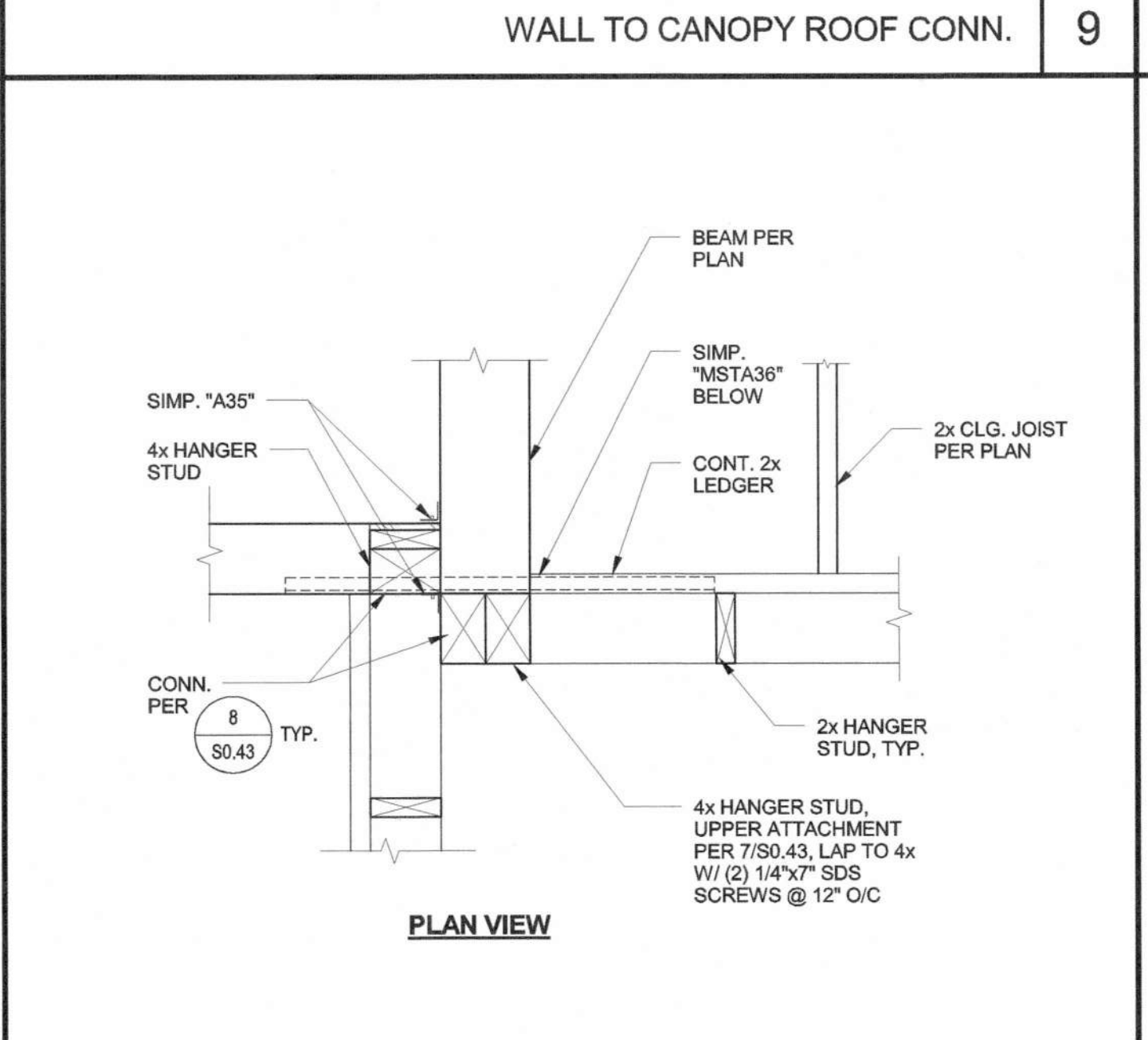
ROOF / WALL CONN. (PERPENDICULAR TO FRAMING) 2



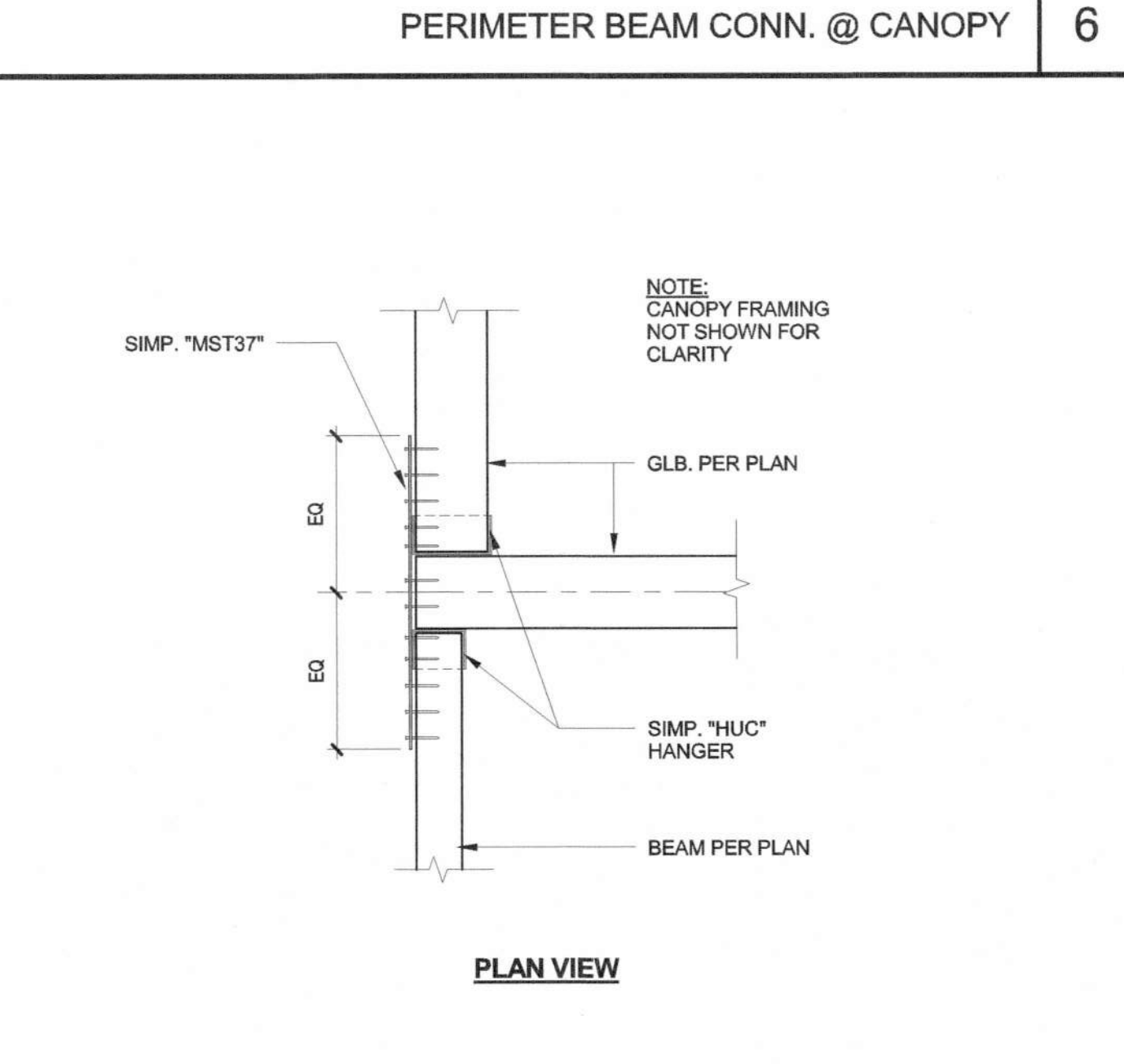
HSS CANOPY DETAIL 14



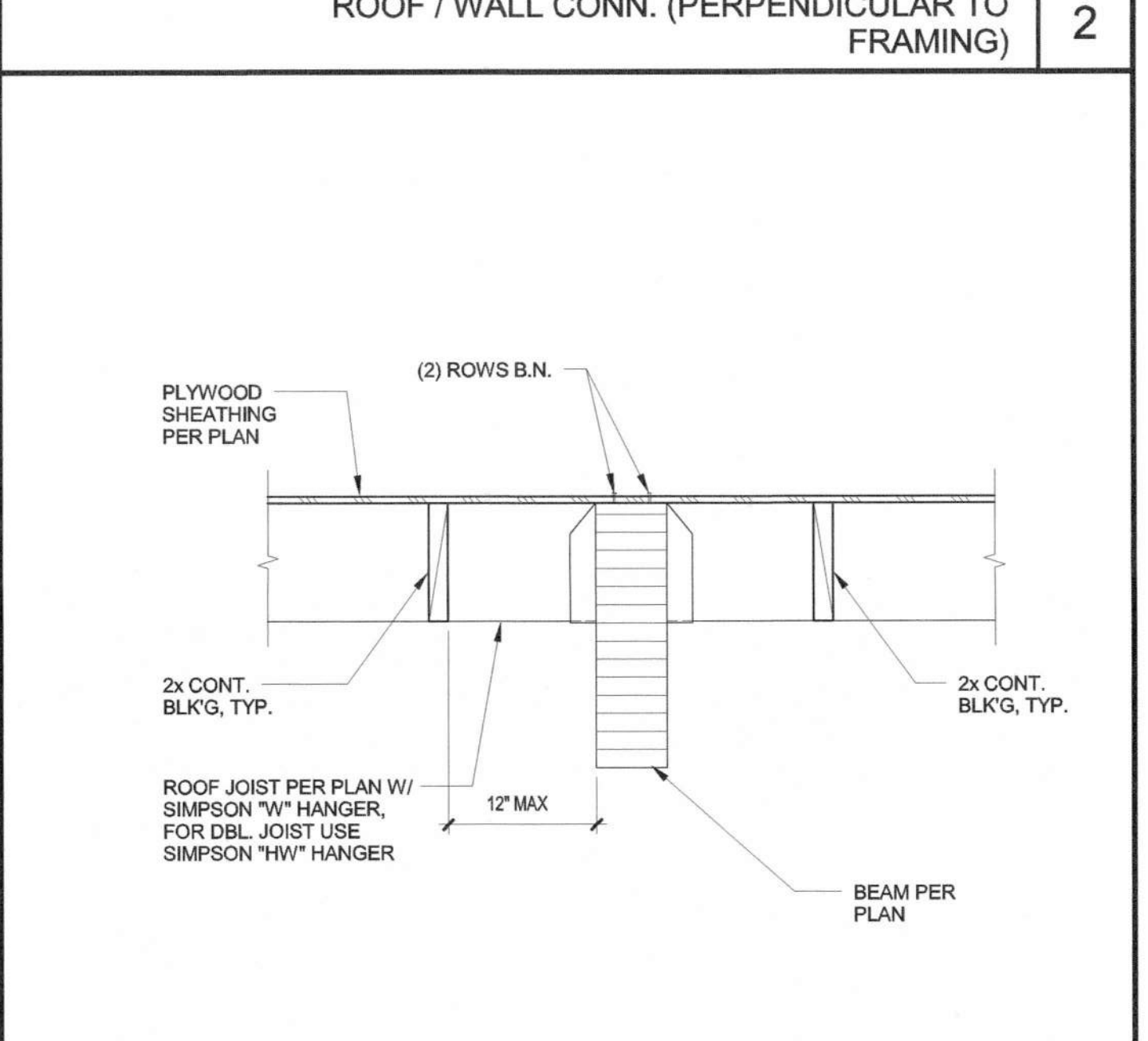
TYP. BEAM TO LEDGER CONN. 10



HANGER POST FOR OUTRIGGER BEAM CONN. AT CANOPY 8



BEAM TO BEAM CONN. @ CANOPY 5



JOIST TO WOOD BEAM CONN. 1

**LPA**

PROFESSIONAL ENGINEER

1408 780.7201

l.p@lpa.com

480.780.7200

w.lpa.com

60 South Market Street, Suite 150  
San Jose, California 95113

PROFESSIONAL SEAL

DANIEL J. QUINN

REGISTERED ARCHITECT

No. S 4353

123118

STATE OF CALIFORNIA

IDENTIFICATION STAMP

DIVISION OF THE STATE ARCHITECT

OFFICE OF REGULATION SERVICE

APPL # 01-116180

AC: F15

DATE: 3-21-17

FILE NUMBER: 43-110

**BUILDING D SCIENCE AND CLASSROOM BUILDINGS, PIEDMONT HILLS HIGH SCHOOL**

1377 PIEDMONT RD  
SAN JOSE, CA 95132

Developed for  
EAST SIDE UNION HIGH SCHOOL DISTRICT

© copyright 2014

The information contained herein is the property of LPA and is to be used only for the project and site identified above. It is not to be used for any other project or site without the express written consent of LPA. LPA and its staff do not warrant the accuracy or completeness of the information contained herein. The user of this information assumes all liability for any errors or omissions. LPA shall not be responsible for any damages, including consequential damages, arising from the use of this information. LPA shall not be responsible for any damages, including consequential damages, arising from the use of this information. LPA shall not be responsible for any damages, including consequential damages, arising from the use of this information.

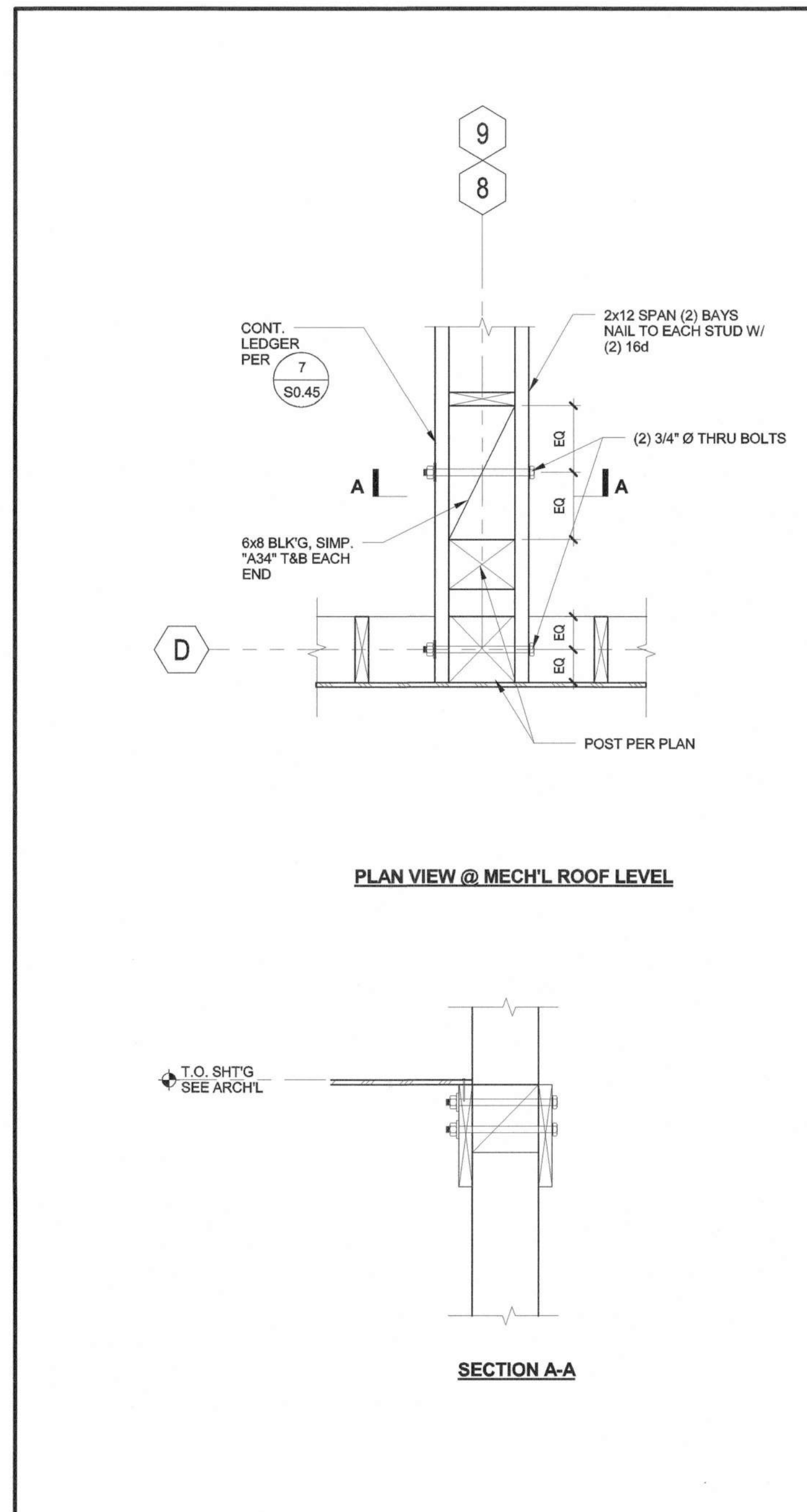
Date	Revision
03/16/16	SCHEMATIC DESIGN
05/10/16	DESIGN DEVELOPMENT
06/15/16	50% CONSTRUCTION DOCUMENTS
07/27/16	85% CONSTRUCTION DOCUMENTS
08/12/16	DSA SUBMITTAL
03/08/17	DSA APPROVAL

Job No. 1602010

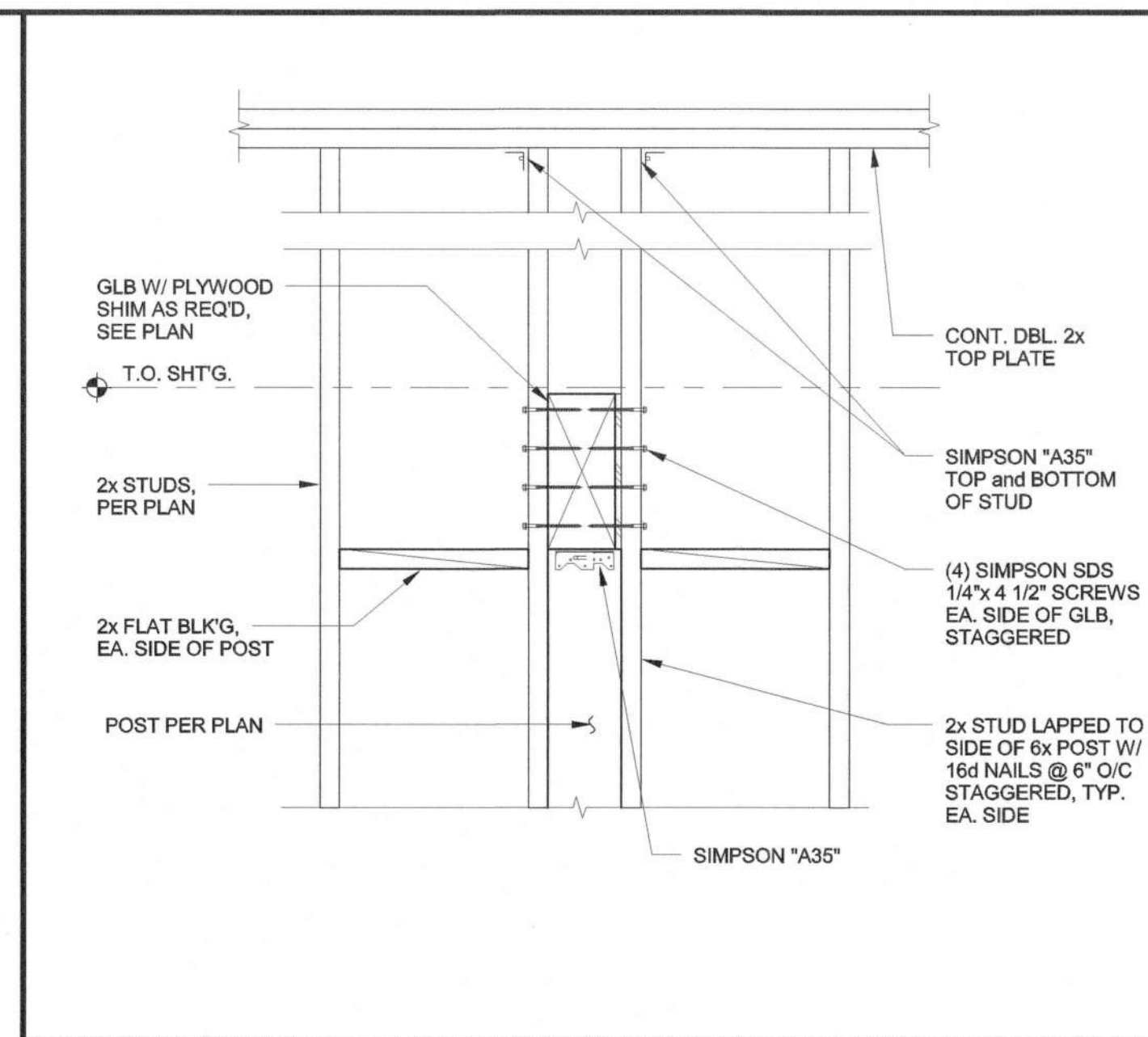
Date 08/12/2016

Checked by DW

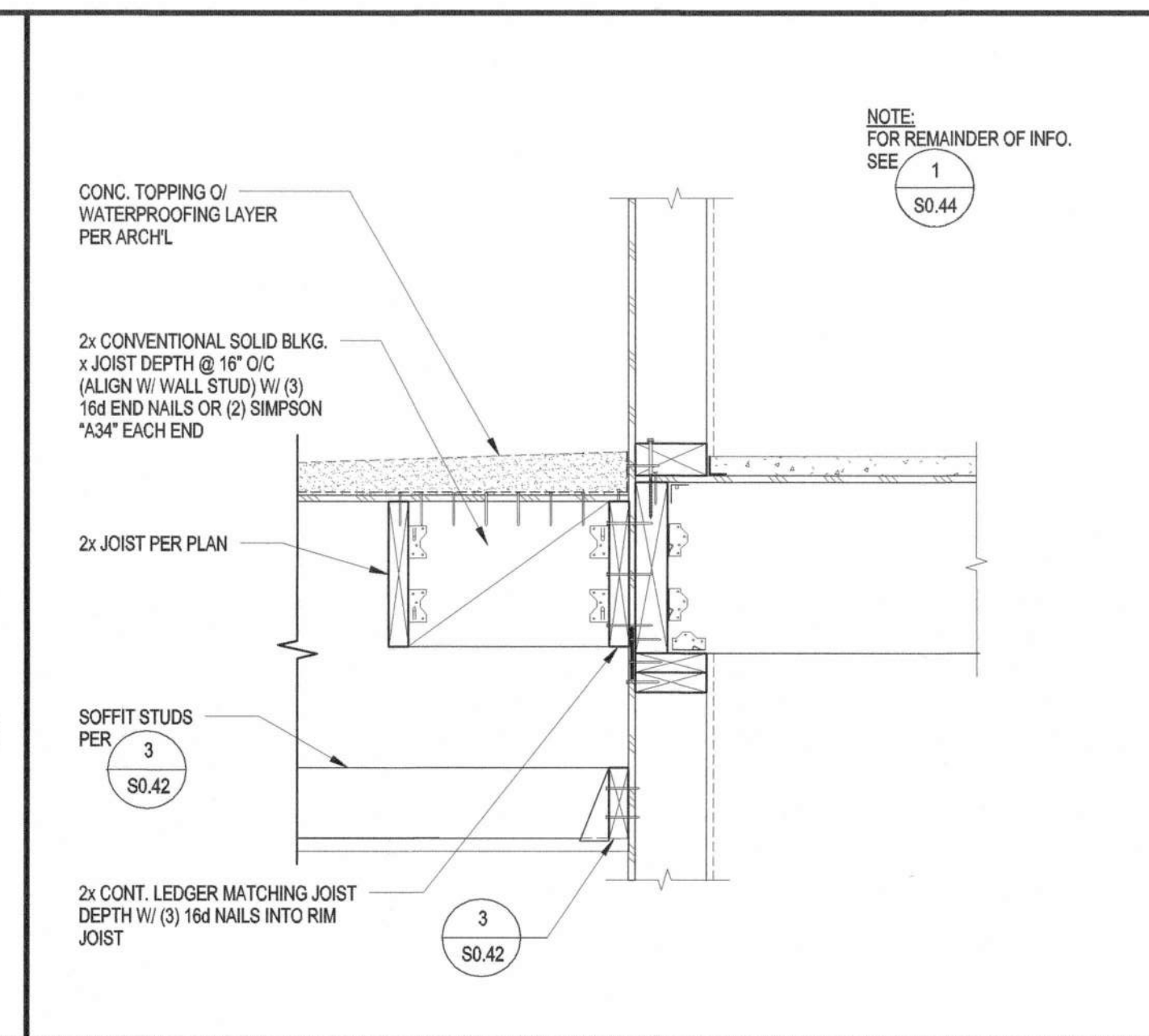
Scale As indicated



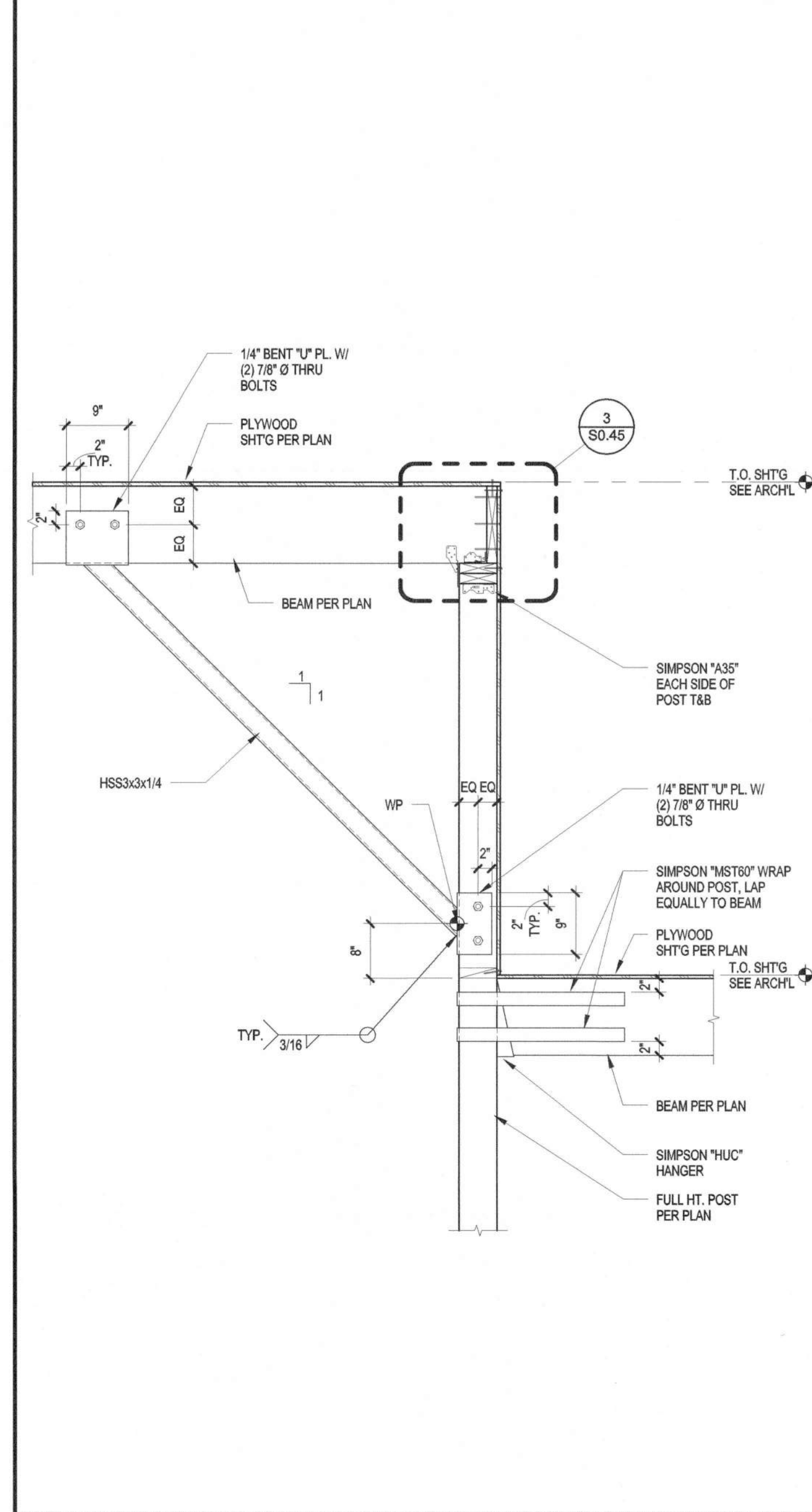
BEAM TO POST IN WALL 7



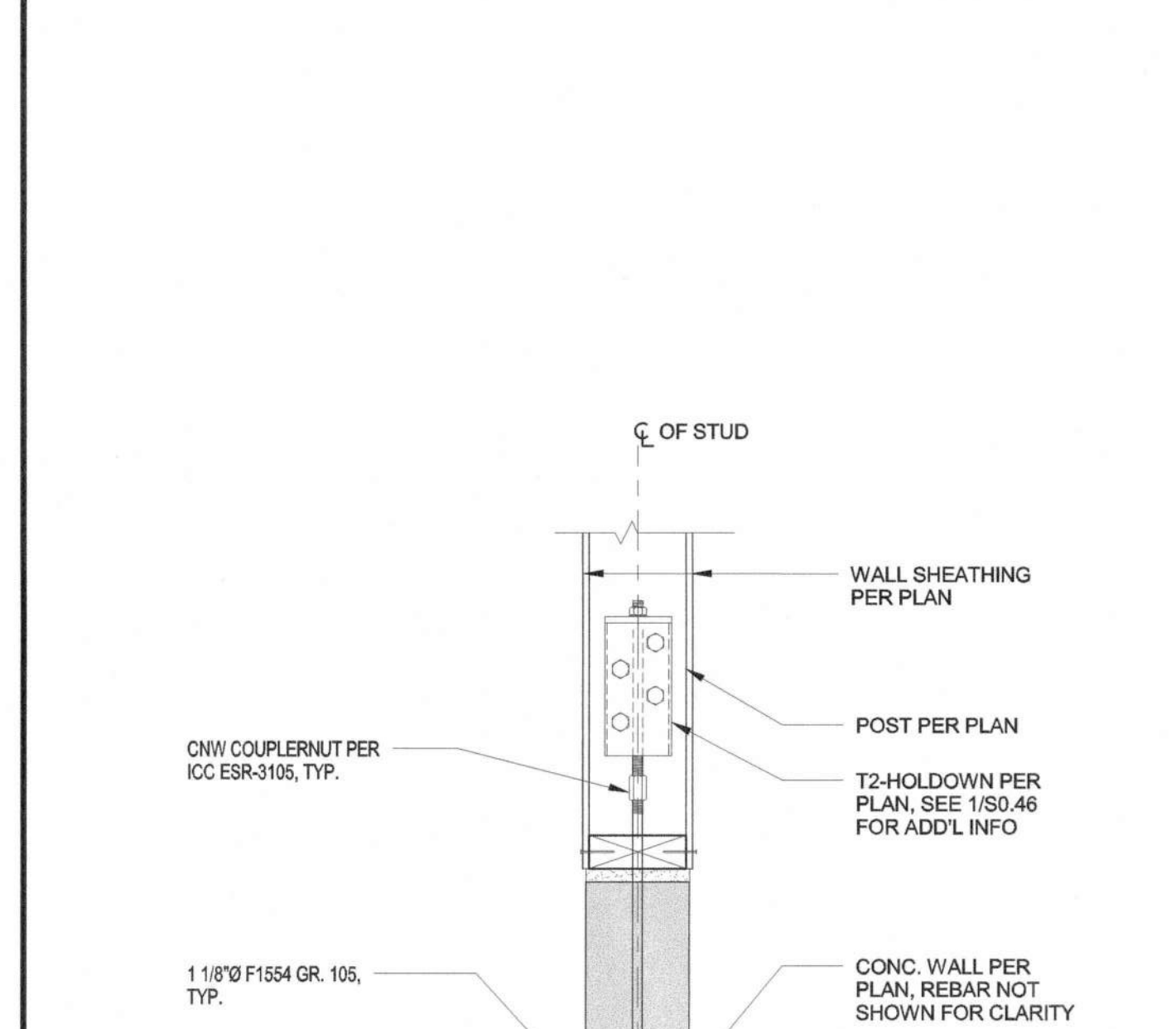
TYP. HOLDOWN AT CONC. WALL 6



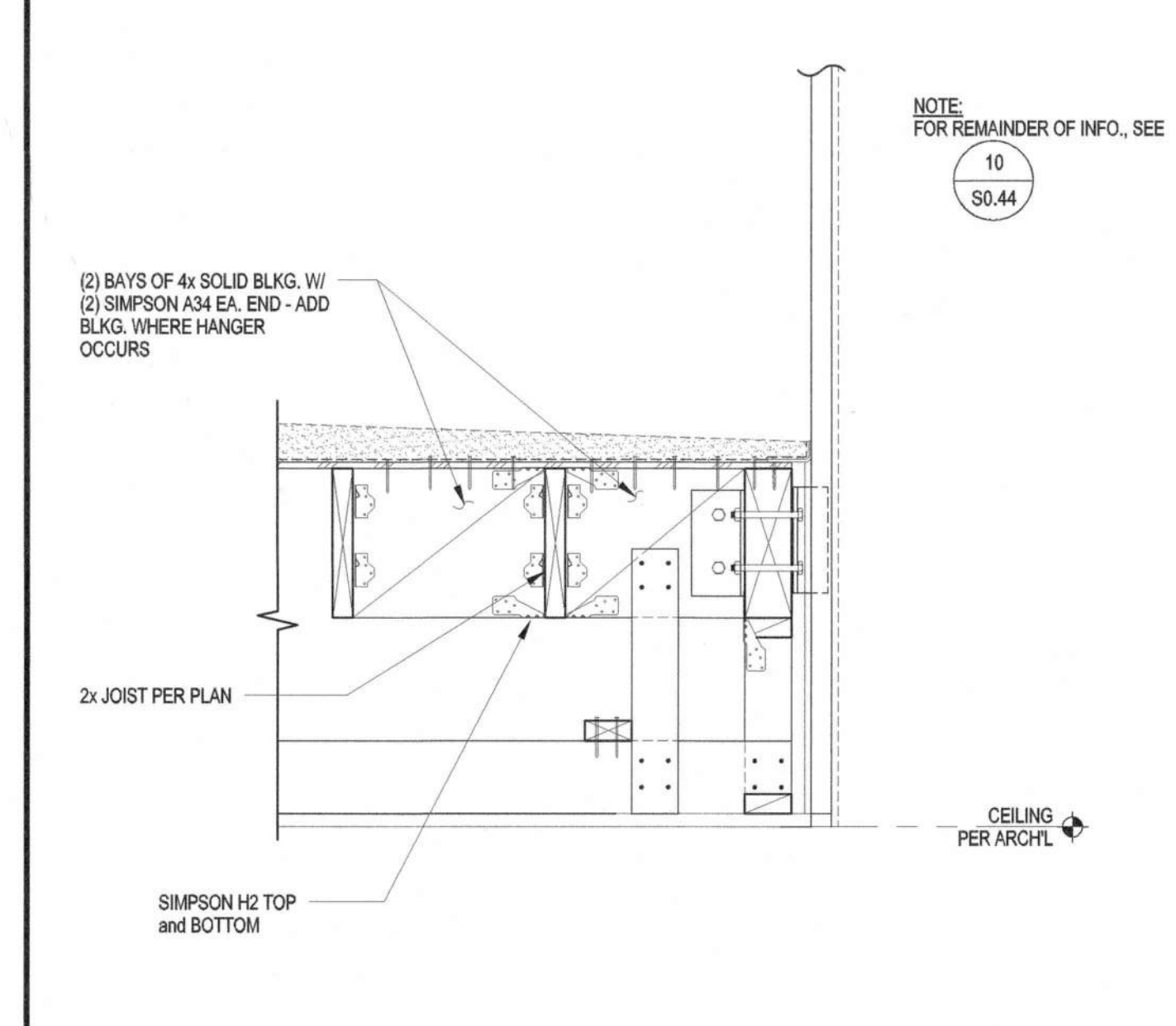
BEAM TO GLB BEAM CONNECTION AT CORNER 3



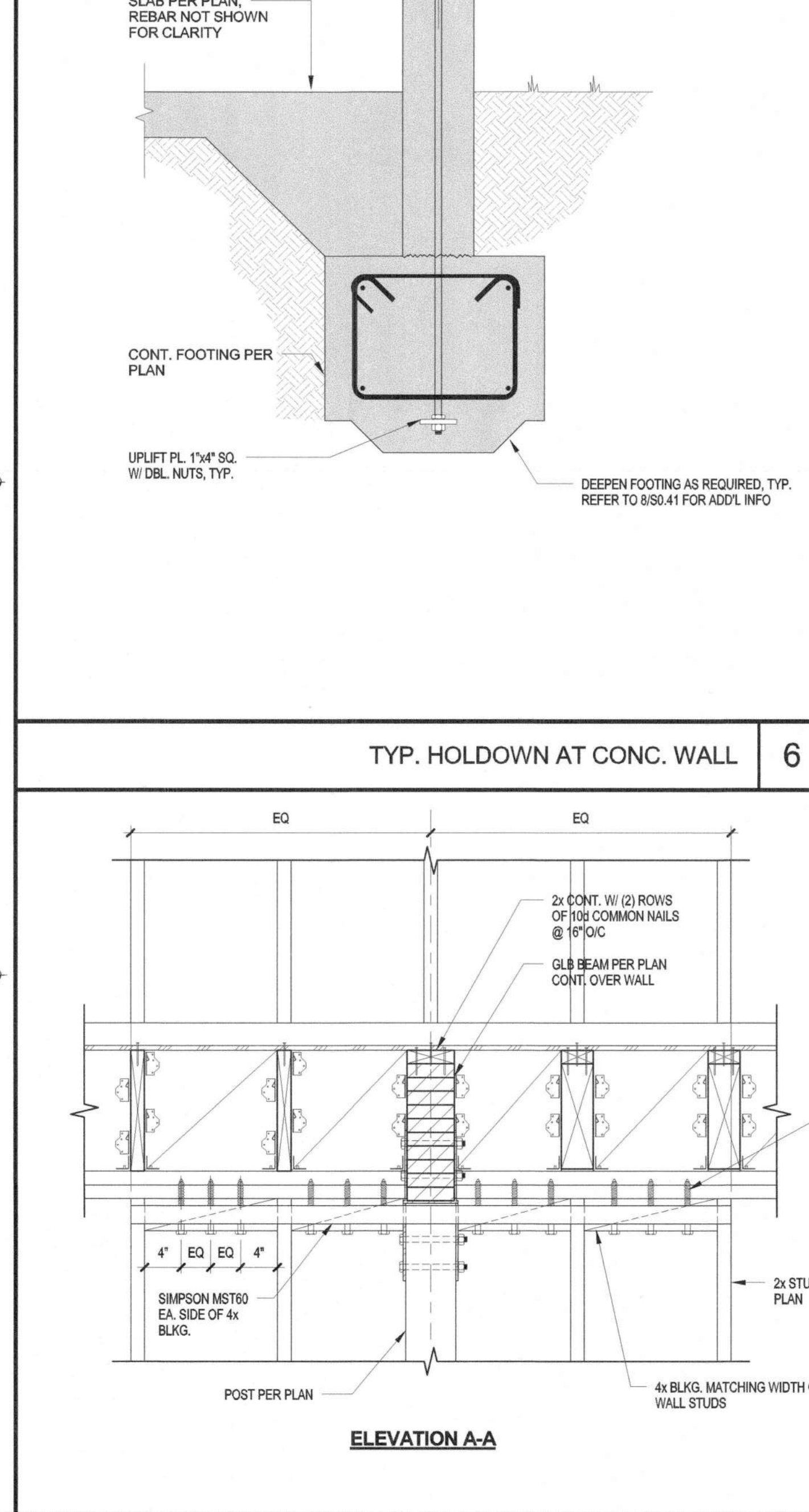
RE-ENTRANT CORNER 8



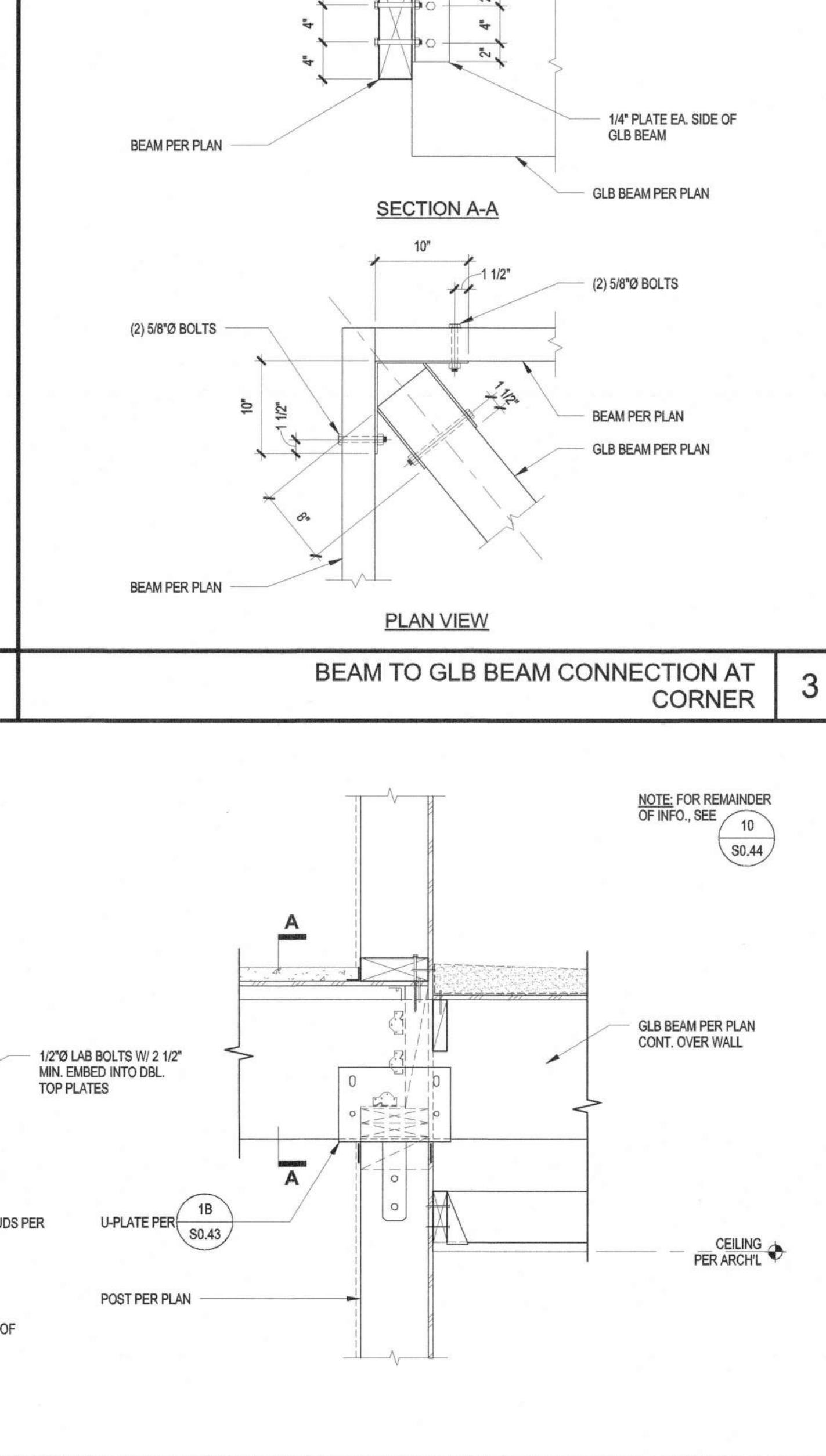
FLOOR SECTION 4



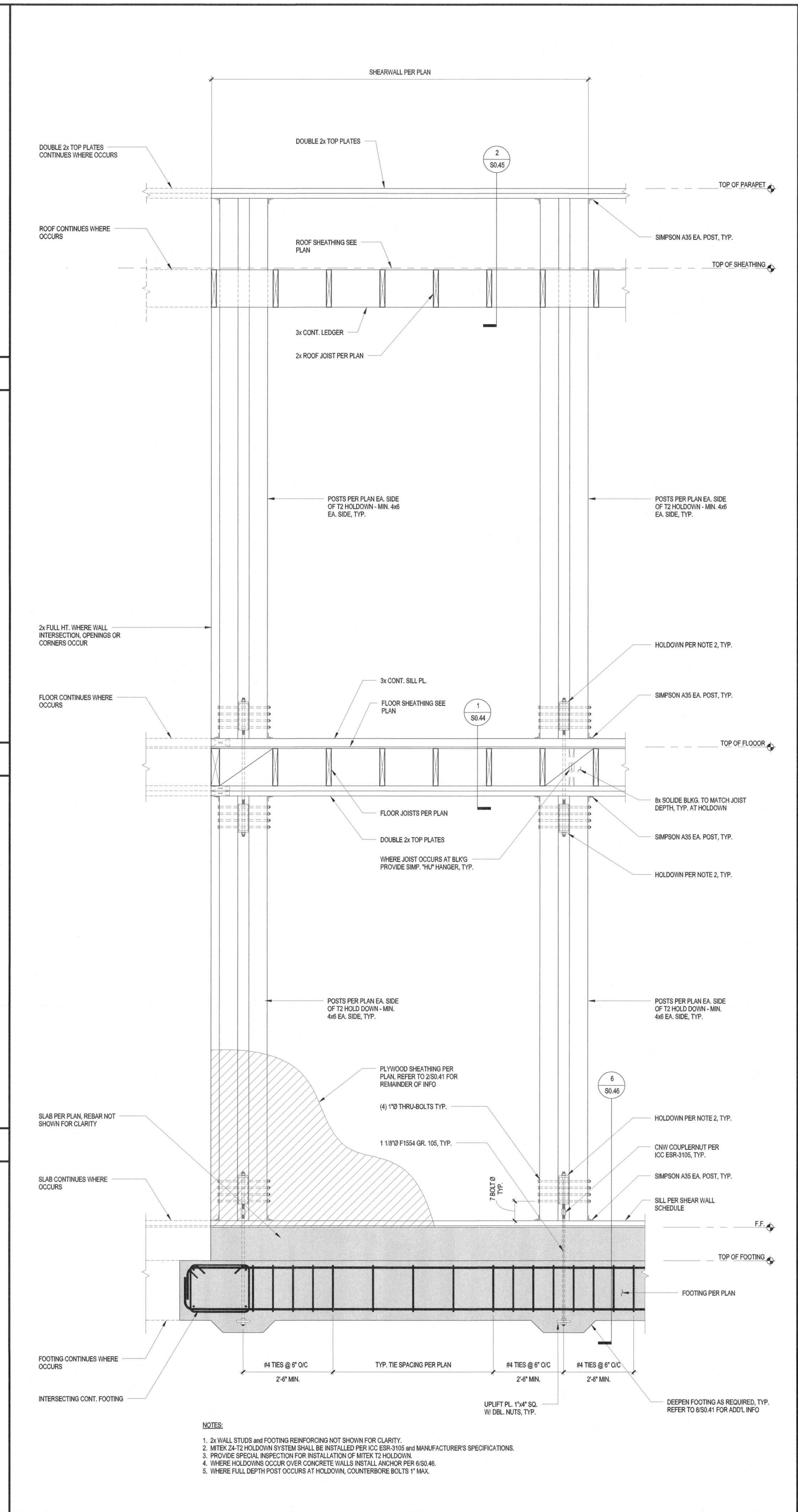
FLOOR SECTION 4



FLOOR SECTION 2

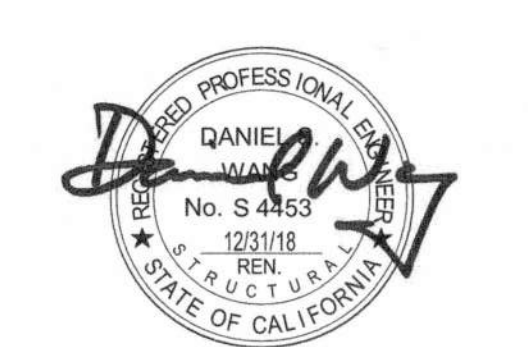


TYPICAL SHEARWALL ELEVATION 1



TYPICAL SHEARWALL ELEVATION 1

- NOTES:**
- 2x WALL STUDS and FOOTING REINFORCING NOT SHOWN FOR CLARITY.
  - MITEK 2x T2 HOLD-DOWN SYSTEM SHALL BE INSTALLED PER ICC ESR-3105 and MANUFACTURER'S SPECIFICATIONS.
  - PROVIDE SPECIAL INSPECTION FOR INSTALLATION OF MITEK T2 HOLD-DOWN.
  - WHERE HOLD-DOWNS OCCUR OVER CONCRETE WALLS INSTALL ANCHOR PER 6.50.46.
  - WHERE FULL DEPTH POST OCCURS AT HOLD-DOWN, COUNTERBORE BOLTS 1" DIA.



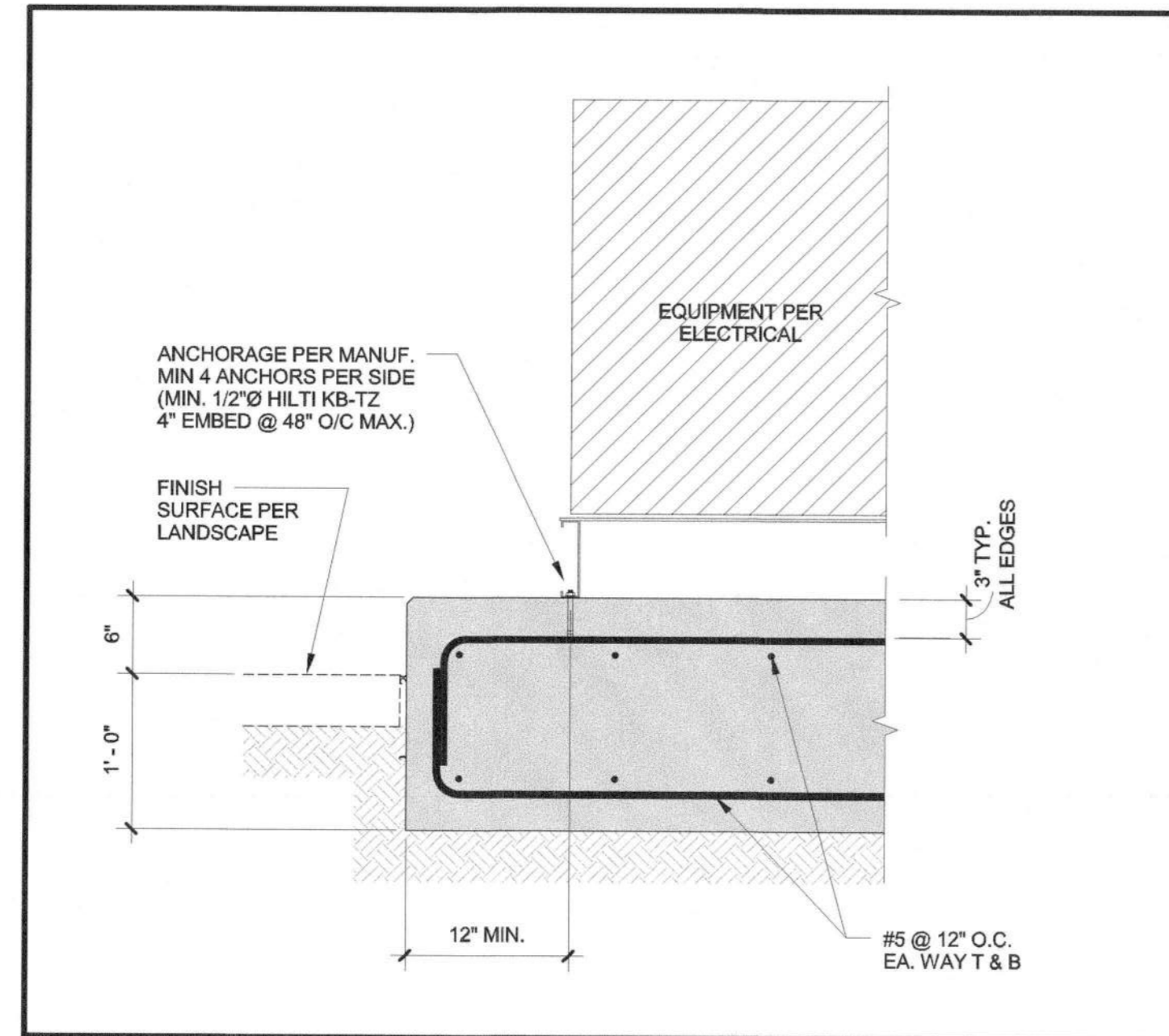
IDENTIFICATION STAMP  
 DIVISION OF THE STATE ARCHITECT  
 OFFICE OF REGULATION SERVICE  
 APPL. #: 01-116180  
 DATE: 3.21.17  
 FILE NUMBER: 45-110

**BUILDING D SCIENCE AND CLASSROOM BUILDINGS, PIEDMONT HILLS HIGH SCHOOL**  
 1377 PIEDMONT RD  
 SAN JOSE, CA 95132

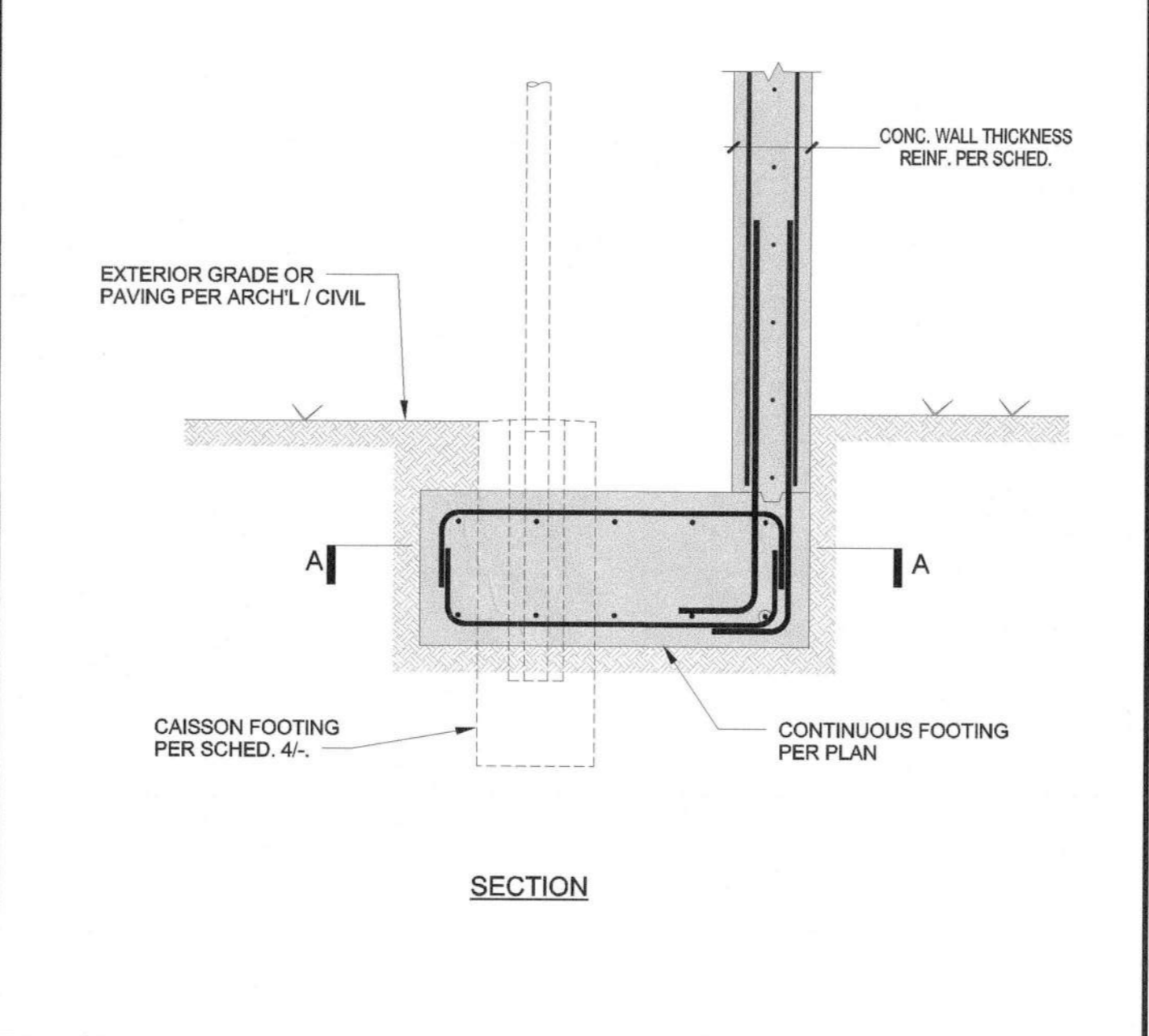
Developed for  
 EAST SIDE UNION HIGH SCHOOL DISTRICT

Date	Revision
02/12/16	SCHEMATIC DESIGN
06/12/16	DESIGN DEVELOPMENT
07/27/16	50% CONSTRUCTION DOCUMENTS
08/12/16	80% CONSTRUCTION DOCUMENTS
02/09/17	100% CONSTRUCTION DOCUMENTS

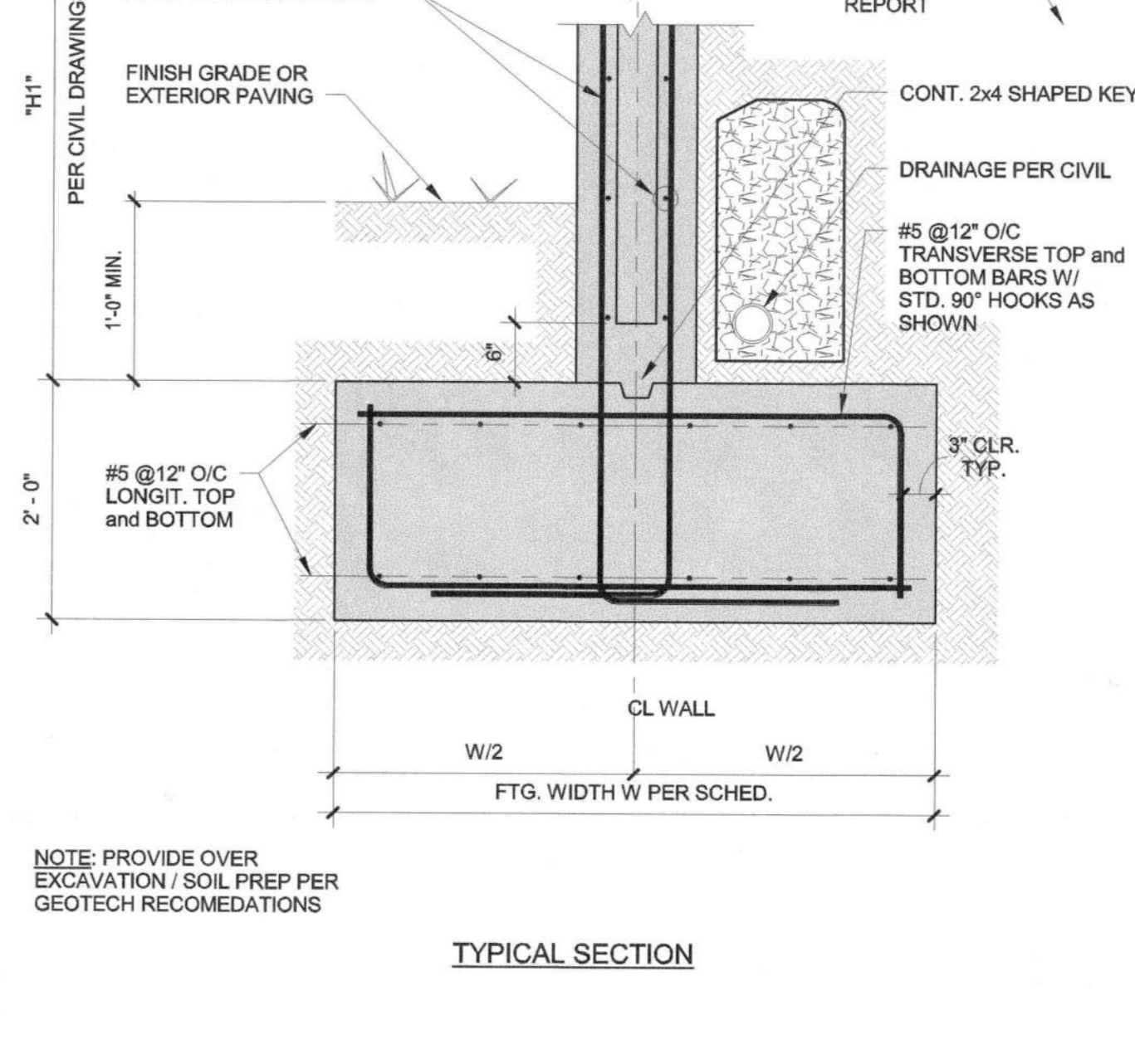
Job No. 1602010  
 Date 06/12/2016  
 Checked by [Signature]  
 Scale As Indicated



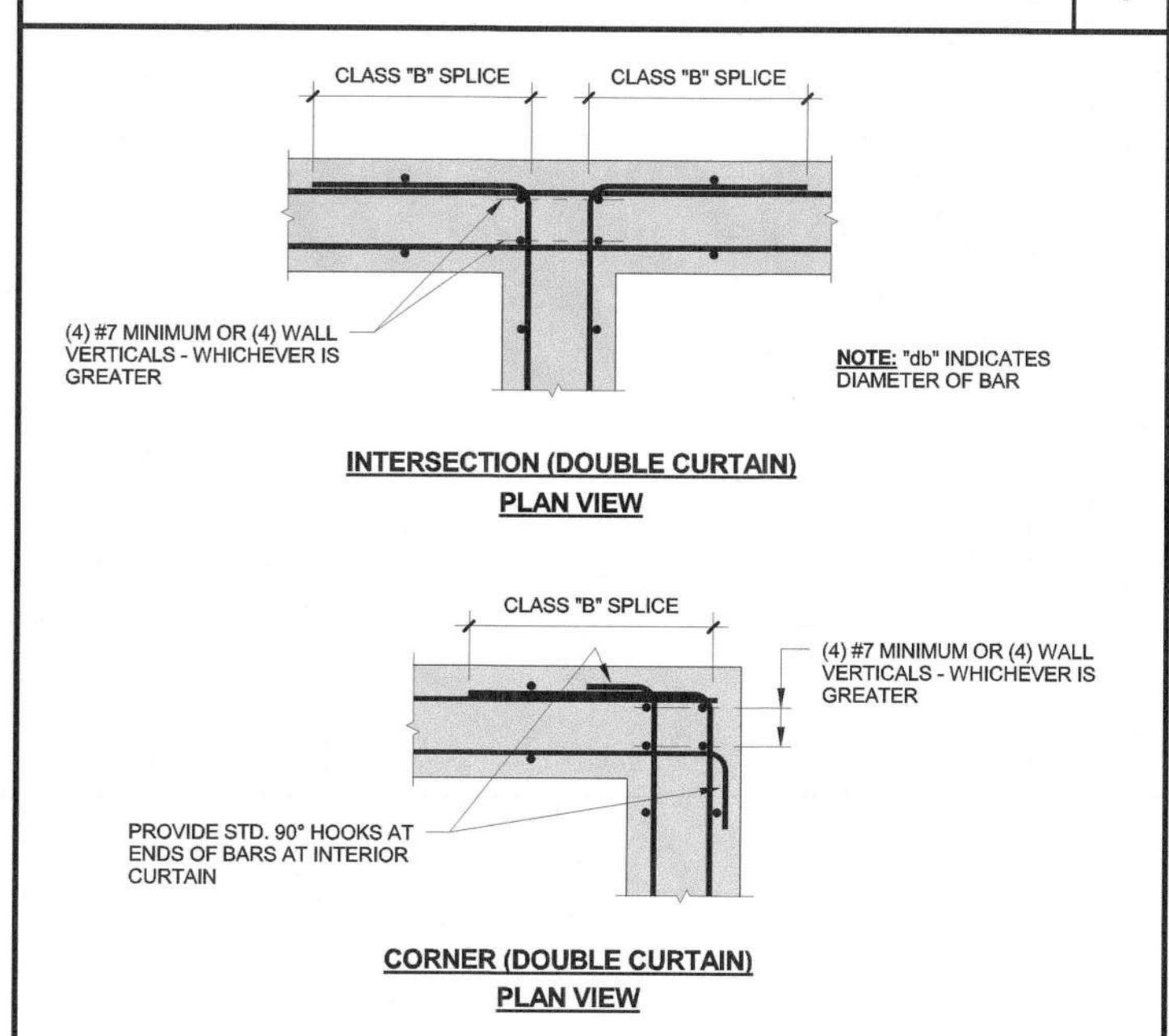
EXTERIOR EQUIPMENT PAD 9



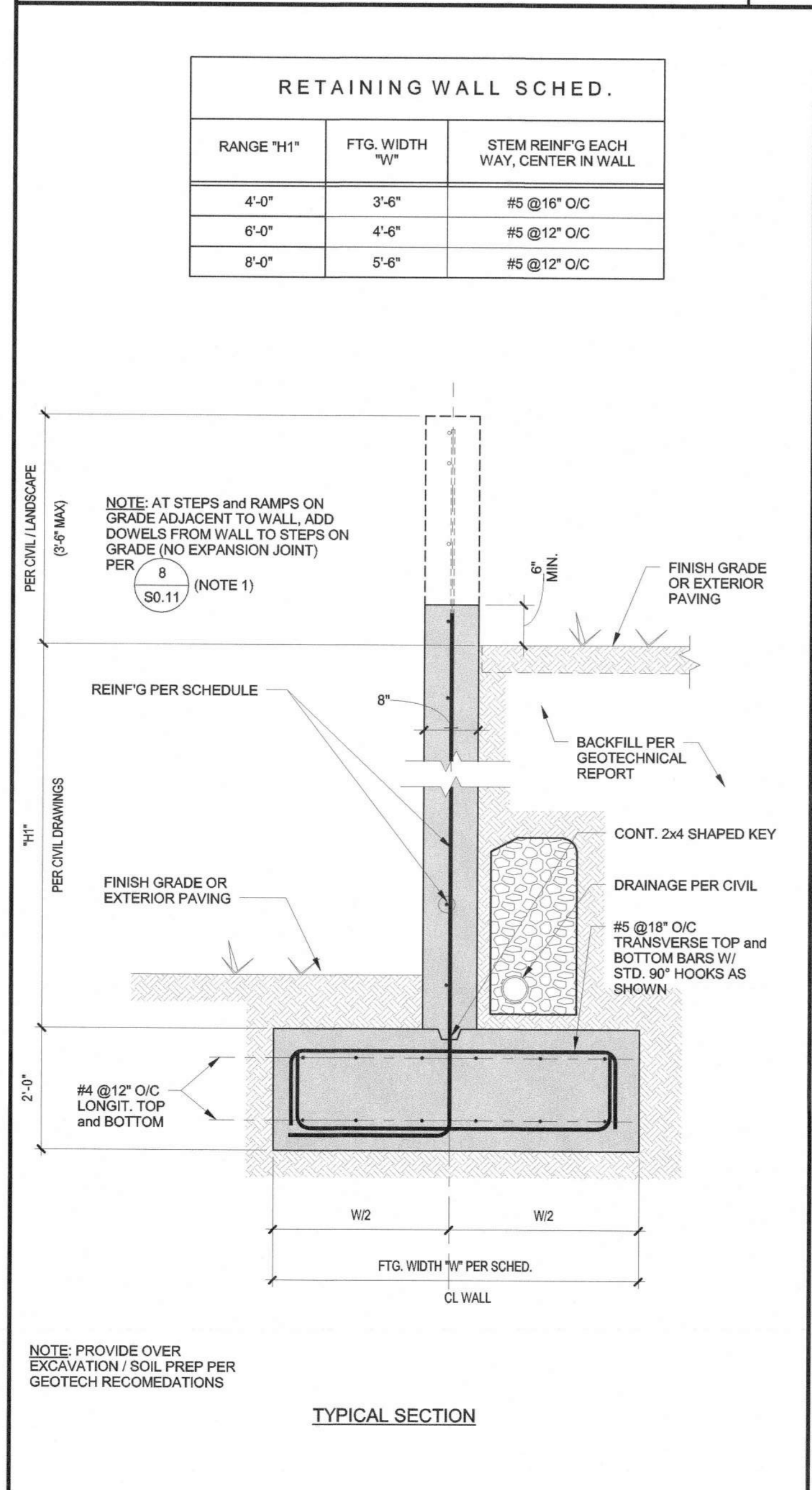
TYPICAL CONC. WALL ADJACENT TO LIGHT POLE FOOTING 7



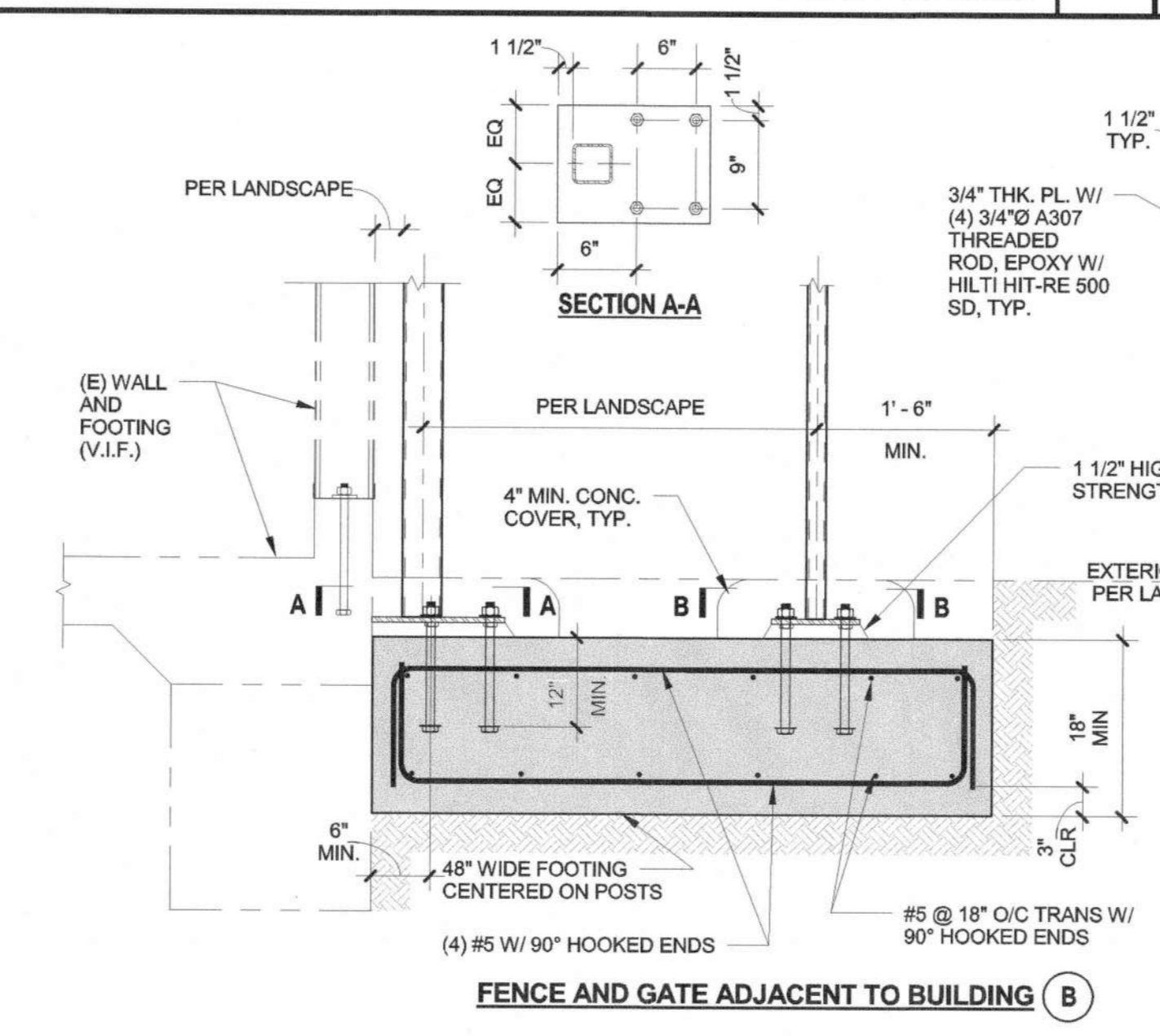
TYPICAL CONCRETE RETAINING WALL and SCHEDULE 6



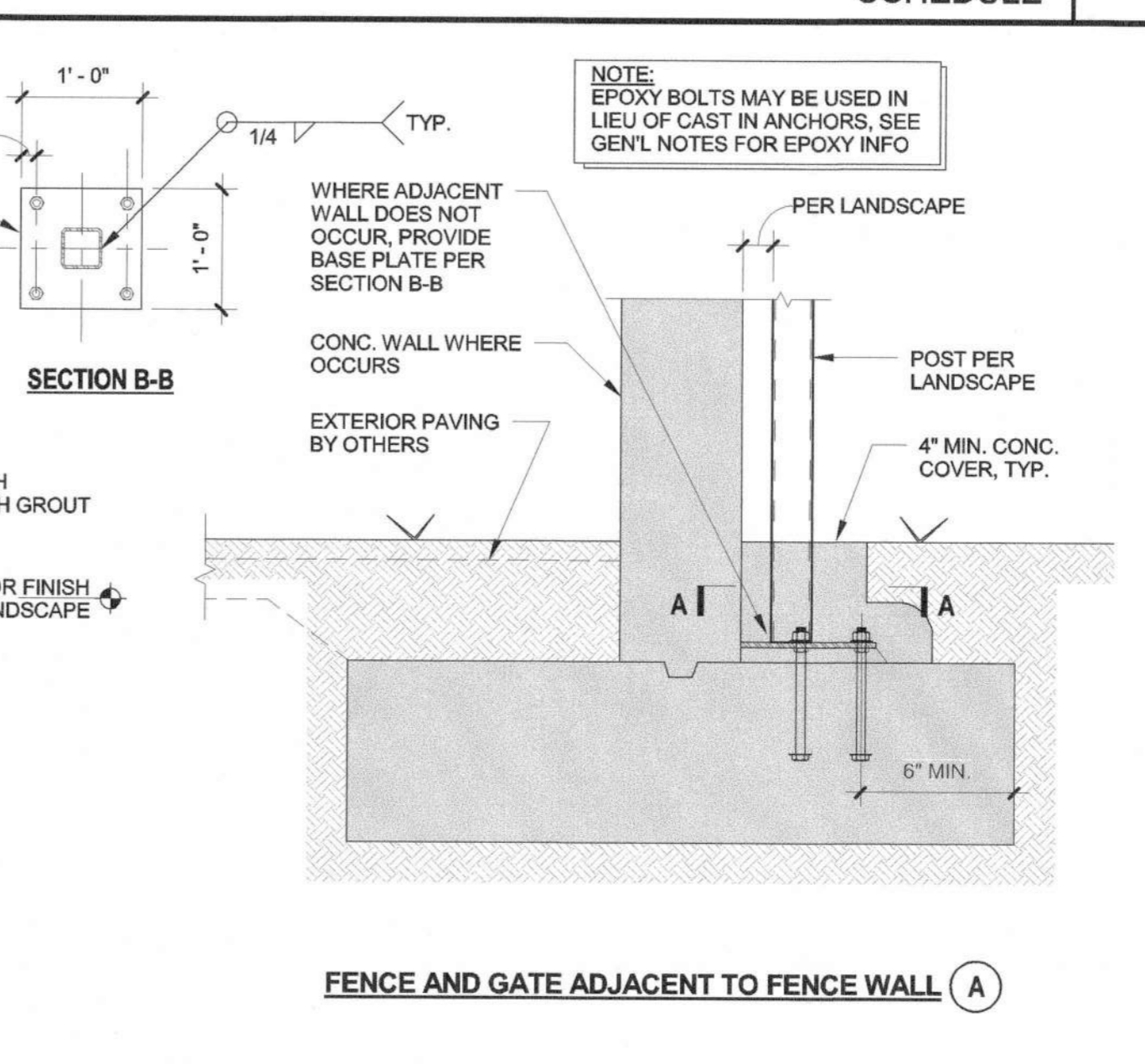
TYP. CONC. WALL REINFORCING AT CORNERS and INTERSECTIONS 3



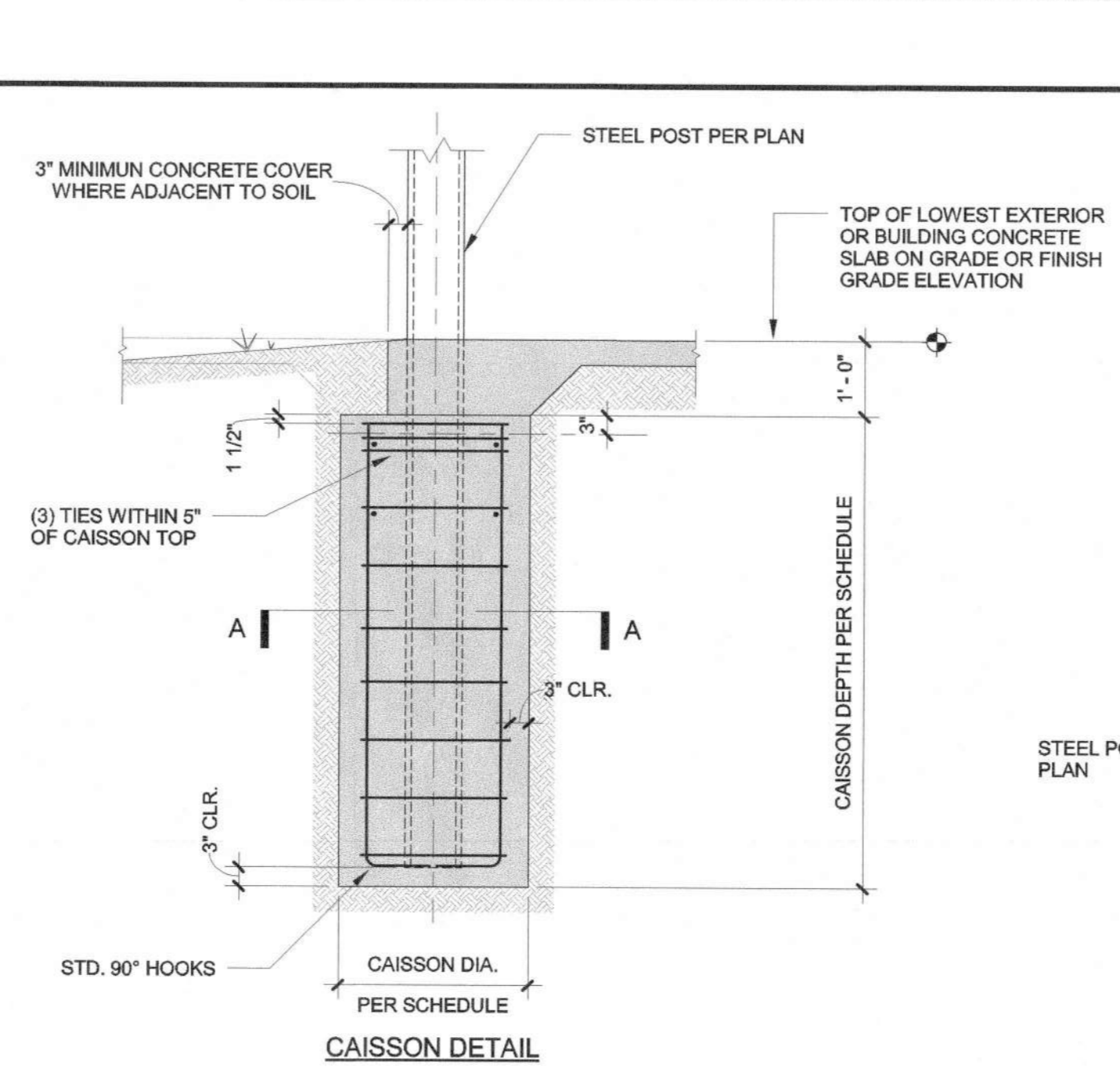
TYP. 8" CONC. RETAINING WALL 8



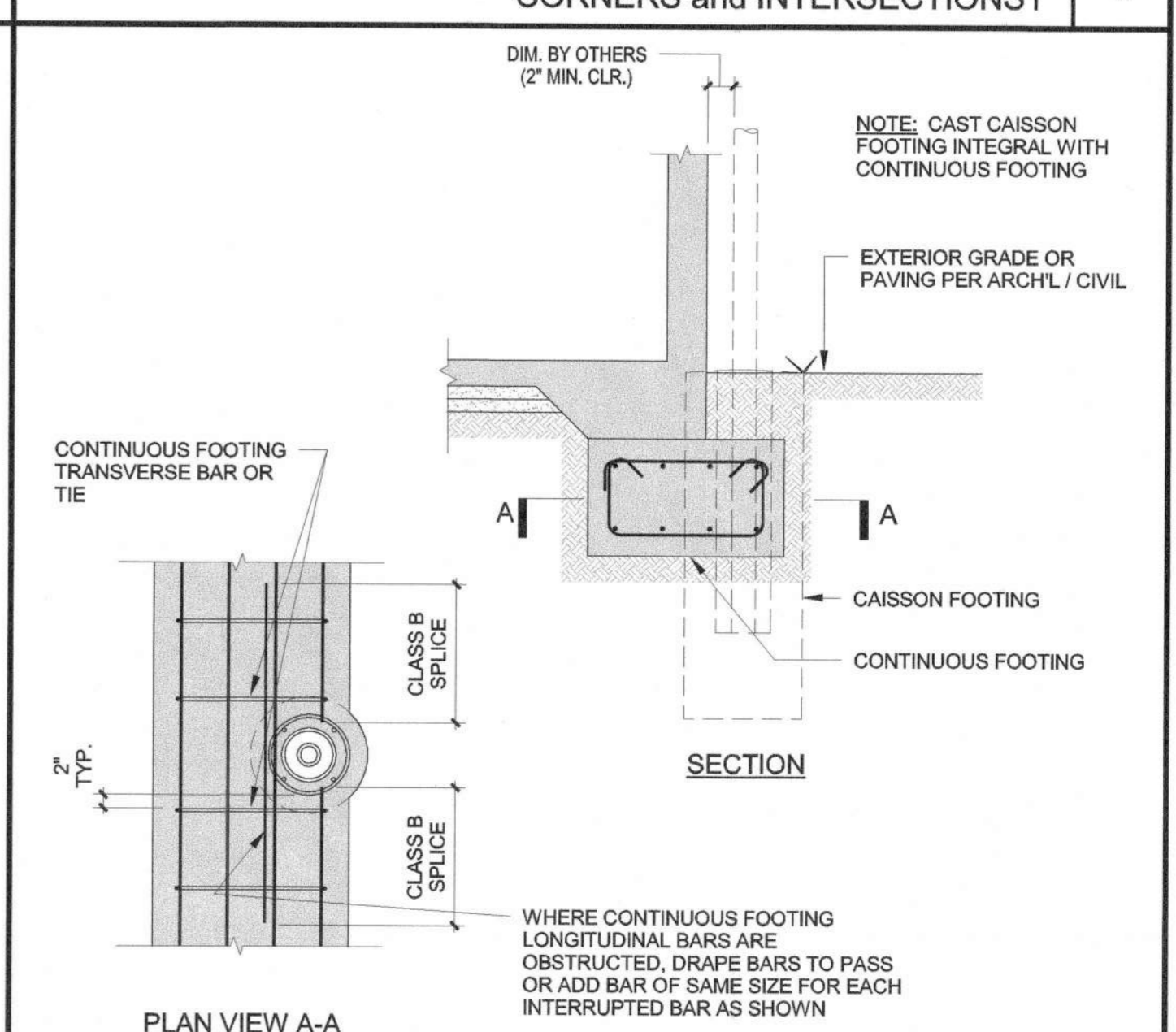
TYP. FENCE POST NEXT TO (E) BLDG OR CONC. WALL 5



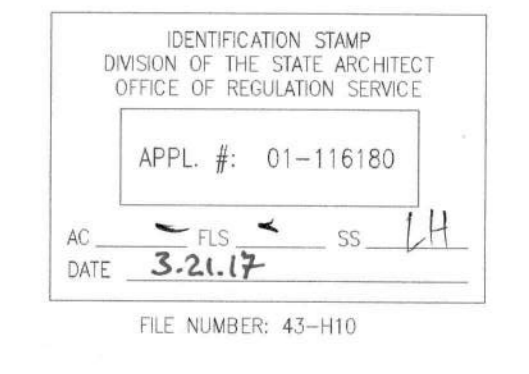
TYP. CAISSON FOOTING ADJACENT TO CONTINUOUS FOOTING 2



TYP. CAISSON SCHED. and DETAIL 1

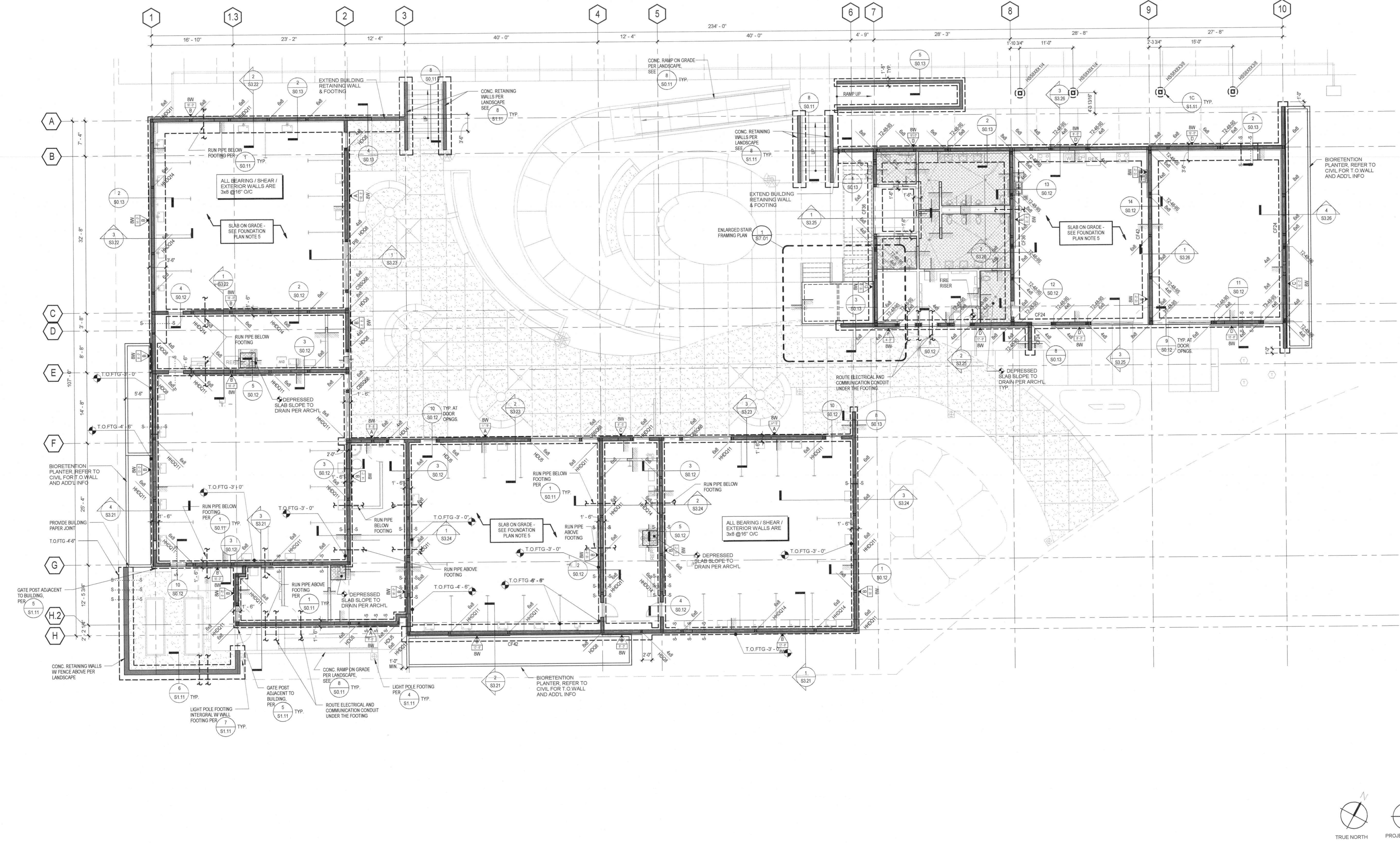


TYP. SITE LIGHT POLE DETAIL 4



Date	Revision
03/16/16	SCHEMATIC DESIGN
06/10/16	DESIGN DEVELOPMENT
06/10/16	50% CONSTRUCTION DOCUMENTS
07/27/16	80% CONSTRUCTION DOCUMENTS
08/12/16	ISSA SUBMITTAL
02/09/17	ISSA APPROVAL

Job No.	1602010
Date	05/12/2016
Checked by	DW
Scale	As Indicated



CONTINUOUS FOOTING SCHEDULE			
Mark	FOOTING SIZE (WIDTH x DEPTH)	REINFORCING	
		CONTINUOUS LONGITUDINAL BARS	TRANSVERSE BARS
CF24	24"x18"	(2) #5 TOP and BOTTOM	#4 TIES @ 12" O/C
CF36	36"x18"	(4) #4 TOP and BOTTOM	#4 TIES @ 12" O/C
CF42	42"x18"	(4) #5 TOP and BOTTOM	#4 TIES @ 12" O/C

- ### LEGEND
- INDICATES STEEL COLUMN ABOVE.
  - INDICATES PLYWOOD SHEATHING AT SHEAR WALL WHERE OCCURS.
  - INDICATES NOMINAL STUD WIDTH OF WALL - FOR EXAMPLE, "8W" INDICATES 8" NOMINAL STUD WIDTH - IF NOTHING INDICATED, STUD WALL NOMINAL WIDTH SHALL BE 6" - PROVIDE 2(NOMINAL WIDTH) STUDS @ 16" O/C UNLESS INDICATED OTHERWISE ON SHEAR WALL SCHEDULE OR PLANS.
  - INDICATES SHEAR WALL HORIZONTAL DESIGN LENGTH. ACTUAL LENGTH OF WALL MAY EXCEED, BUT SHALL NOT BE LESS THAN, THE LENGTH SHOWN.
  - INDICATES SHEAR WALL MARK - FOR SHEAR WALL CONSTRUCTION SEE 2/50.41 - PROVIDE SHEAR WALL TYPE "A" CONSTRUCTION AT EXTERIOR SIDES OF ALL PERIMETER WALLS AND FURRED-OUT WALLS UNLESS NOTED OTHERWISE INCLUDING PORTION OF WALL ABOVE AND BELOW OPENINGS - VERTICAL EXTENT FOR SHEAR WALLS INDICATED ON THIS PLAN IS FROM SLAB ON GRADE UP TO BOTTOM OF ROOF OR TOP OF PARAPETS/SCREEN WALL.
  - INDICATES STRUCTURAL LOAD BEARING, SHEAR, OR PERIMETER WOOD STUD WALL - CONSTRUCT PER 1/50.41 - DO NOT SPLICE STUDS UNLESS SPECIFICALLY DETAILED OR INDICATED - SUBSTITUTE TIMBERSTRAND "LSL" STUDS WHERE STUD LENGTHS EXCEED COMMONLY AVAILABLE CONVENTIONAL LUMBER LENGTHS (TALL PARAPETS FOR EXAMPLE) - SEE GENERAL NOTES FOR TIMBERSTRAND "LSL" STUD REQUIREMENTS.
  - INDICATES INTERIOR, NON-BEARING WOOD STUD WALL ABOVE - CONSTRUCT PER DETAILS 1 AND 10/50.41 AND 4/50.42 AND ARCHITECTURAL DRAWINGS.
  - TOF INDICATES TOP OF FOOTING ELEVATION.
  - S...S INDICATES STEP IN FOOTING - SEE 6/50.11.

- ### LEGEND
- INDICATES TOP OF STRUCTURAL CONCRETE SLAB ON GRADE ELEVATION (TOC) - SEE ARCHITECTURAL FOR TOC IF NO ELEVATION INDICATED.
  - INDICATES CHANGE IN ELEVATION OF TOP OF STRUCTURAL CONCRETE SLAB ON GRADE - CONSTRUCT PER 9/50.11.
  - INDICATES CONCRETE CURB OR HOUSEKEEPING PAD - CONSTRUCT PER 4/50.11 U.O.
  - INDICATES SPREAD FOOTING MARK - SEE SCHEDULE THIS SHEET.
  - INDICATES ELEVATION OF TOP OF SPREAD FOOTING RELATIVE TO TOP OF CONCRETE SLAB ELEVATION - IF NO ELEVATION INDICATED, LOCATE TOP OF SPREAD FOOTING PER PLAN NOTE 4.
  - CFX INDICATES CONTINUOUS FOOTING MARK - SEE SCHEDULE BELOW.
  - GBXX INDICATES GRADE BEAM MARK - CONSTRUCT PER SCHEDULE THIS SHEET - LOCATE TOP OF GRADE BEAM PER NOTE 4.
  - INDICATES POST ABOVE RUNNING FULL HEIGHT TO TOP PLATES AT ROOF OR TOP OF PARAPET ABOVE (RUN UNINTERRUPTED TO DOUBLE TOP PLATES AT BALLOON-FRAMED WALLS) - PROVIDE (2) SIMPSON A36S TOP (TO DOUBLE TOP PLATES) AND BOTTOM (TO SILL PLATE) WHERE POST OCCURS IN STUD WALL UNLESS OTHER HARDWARE IS INDICATED - SUBSTITUTE PARALLAM "PSL" POST WHERE POST LENGTHS EXCEED COMMONLY AVAILABLE CONVENTIONAL LUMBER LENGTHS (TALL PARAPETS FOR EXAMPLE) - SEE GENERAL NOTES FOR PARALLAM "PSL" POST REQUIREMENTS.
  - INDICATES HOLD-DOWN MARK - SEE DETAIL 6/50.41.

- ### LEGEND
- INDICATES POST ABOVE RUNNING FULL HEIGHT TO TOP PLATES AT ROOF OR TOP OF PARAPET ABOVE (RUN UNINTERRUPTED TO DOUBLE TOP PLATES AT BALLOON-FRAMED WALLS) - PROVIDE SIMPSON A36S TOP (TO DOUBLE TOP PLATES) AND BOTTOM (TO SILL PLATE) WHERE POST OCCURS IN STUD WALL UNLESS OTHER HARDWARE IS INDICATED - SUBSTITUTE PARALLAM "PSL" POST WHERE POST LENGTHS EXCEED COMMONLY AVAILABLE CONVENTIONAL LUMBER LENGTHS (TALL PARAPETS FOR EXAMPLE) - SEE GENERAL NOTES FOR PARALLAM "PSL" POST REQUIREMENTS.
  - INDICATES HOLD-DOWN MARK FOR HOLD-DOWN ABOVE AND BELOW - SEE TYPICAL ELEVATION 1/50.46.

- ### PLAN NOTES
- FOR GENERAL NOTES AND TYPICAL DETAILS SEE 90 SERIES SHEETS.
  - SEE ARCHITECTURAL, MECHANICAL, ELECTRICAL, AND PLUMBING DRAWINGS FOR TOP OF STRUCTURAL CONCRETE SLAB ELEVATIONS, DEPRESSIONS, SLOPES, CURBS, DRAINS, PADS, DECK EDGE LOCATIONS, ALL OVERALL DIMENSIONS, AND LOCATIONS OF OPENINGS IN WALLS AND SLABS NOT INDICATED ON STRUCTURAL DRAWINGS.
  - CENTER COLUMNS, POST AND STUD WALLS ON GRID LINES U.O. CENTER SPREAD FOOTINGS AND CAISSONS ON COLUMNS U.O. CENTER GRADE BEAMS AND CONTINUOUS FOOTINGS ON LOAD BEARING, SHEAR, AND PERIMETER WALLS U.O.
  - TOP OF SPREAD FOOTINGS, CONTINUOUS FOOTINGS, AND GRADE BEAMS SHALL BE 1'-6" BELOW 0'-0" ELEVATION UNLESS NOTED OTHERWISE.
  - BUILDING SLAB-ON-GRADE: 5" THICK W/ #4 @ 18" O/C EACH WAY AT CENTER OF SLAB OVER 15-MIL VAPOR BARRIER AND PROPERLY PREPARED SOIL AS DESCRIBED IN GEOTECHNICAL REPORT. PROVIDE CONSTRUCTION JOINTS OR WEAKENED PLANE JOINTS IN SLAB-ON-GRADE PER DETAIL 4/50.11.
  - WHERE GRADE BEAMS AND CONTINUOUS FOOTINGS INTERSECT, CONSTRUCT PER 5/50.11. CONTINUE REINF. CAGE THRU INTERSECTING SPREAD FOOTINGS - WHERE GRADE BEAMS AND CONTINUOUS FOOTINGS TERMINATE AT SPREAD FTGS, EXTEND REINF. CAGE TO FAR SIDE OF SPREAD FTG. AND PROVIDE STD. 90° HOOKS AT LONGIT. BARS.
  - DIMENSIONS ARE TO CENTER OF POSTS, COLUMNS AND STUD WALLS U.O. - COORDINATE W/ ARCHT. DWGS.
  - IN NO CASE SHALL PIPES, CONDUITS, OR SLEEVES BE EMBEDDED IN SPREAD FOOTINGS OR WITHIN TOP OR BOTTOM THIRD OF GRADE BEAMS UNLESS SPECIFICALLY DETAILED ON STRUCTURAL DRAWINGS.
  - SEE LEGEND BELOW FOR ADDITIONAL INFORMATION.

**LPA**  
 400.100.7200  
 400.100.7001  
 www.lpa.com  
 60 South Market Street, Suite 150  
 San Jose, California 95113



IDENTIFICATION STAMP  
 DIVISION OF THE STATE ARCHITECT  
 OFFICE OF REGULATION SERVICE  
 APPL # 01-116180  
 AC DATE 3.21.17  
 FILE NUMBER 43-110

**BUILDING D SCIENCE AND CLASSROOM BUILDINGS, PIEDMONT HILLS HIGH SCHOOL**  
 1377 PIEDMONT RD  
 SAN JOSE, CA 95132  
 Developed for  
 EAST SIDE UNION HIGH SCHOOL DISTRICT

This set of architectural drawings shall be used only for the project and site identified on the title block. Any other use, including but not limited to, reproduction, distribution, or alteration, without the written consent of LPA is prohibited. LPA shall not be responsible for any errors or omissions in these drawings. The user of these drawings shall be responsible for verifying the accuracy of the information and for obtaining all necessary permits. The user of these drawings shall be responsible for obtaining all necessary approvals from the appropriate authorities. The user of these drawings shall be responsible for obtaining all necessary approvals from the appropriate authorities. The user of these drawings shall be responsible for obtaining all necessary approvals from the appropriate authorities.

Date	Revision
03/18/16	1
05/10/16	2
06/15/16	3
07/27/16	4
08/12/16	5
03/28/17	6

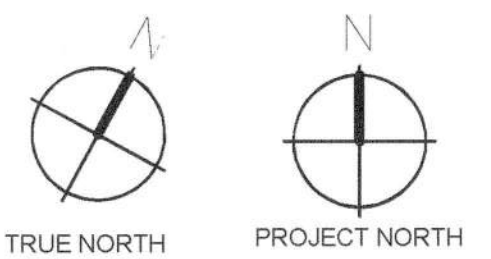
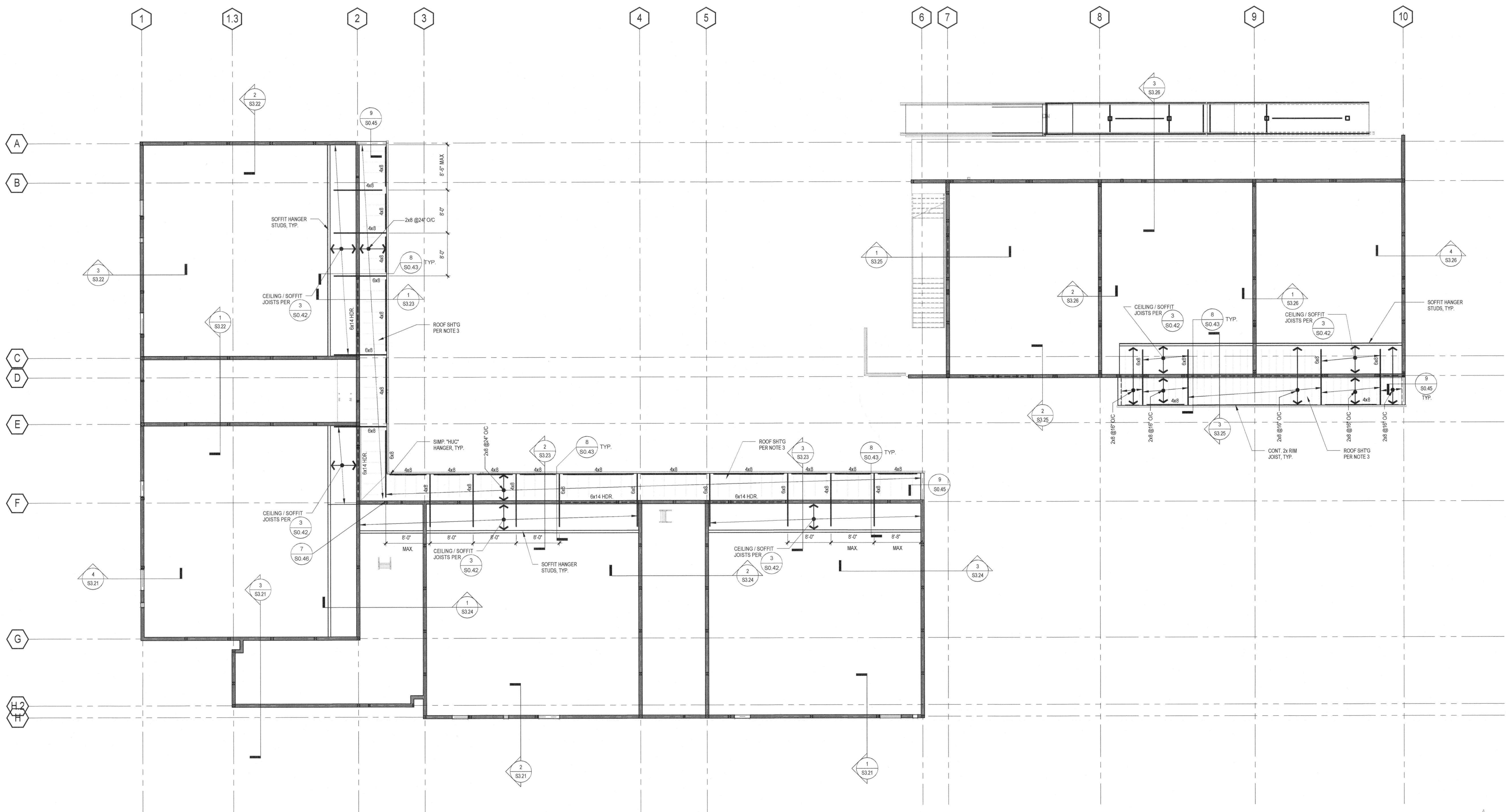
Submitted	Schedule	Person
03/18/16	03/18/16	DP
05/10/16	05/10/16	DP
06/15/16	06/15/16	DP
07/27/16	07/27/16	DP
08/12/16	08/12/16	DP
03/28/17	03/28/17	DP

Job No.	Date	Checked by	Scale
1602010	08/12/2016	DW	1/8" = 1'-0"

**FOUNDATION PLAN**

**S2.01**



**LEGEND**

- BM ——— INDICATES BEAM
- ◀->X" INDICATES UPWARD CAMBER (INCHES) REQUIRED AT MIDSPAN OF BEAM OR GIRDER, UNLESS NOTED OTHERWISE - IF NO CAMBER IS INDICATED, NO CAMBER IS REQUIRED
- RX  
/ \  
JK INDICATES ROOF RAFTER OR JOIST MARK - SEE SCHEDULE THIS SHEET FOR MATERIAL AND SPACING - PROVIDE SIMPSON "L" HANGERS AT CONNECTIONS TO SUPPORTING BEAMS AND RIDGES U.N.O.
- INDICATES EXTENT OF RAFTER OR JOISTS
- DBL ——— INDICATES DOUBLE RAFTER OR JOISTS MATCHING FRAMING SIZE and FACE NAILED W/ (2) ROWS 16d @ 12" O.C
- XX  
XX INDICATES MECHANICAL UNIT MARK
- XXXXX INDICATES MECHANICAL UNIT WEIGHT

**LEGEND**

- INDICATES CHANGE IN ELEVATION OR CHANGE OF SLOPE AT ROOF SHEATHING
- INDICATES POST BELOW - "PB" ADDED ONLY AT LOCATIONS WHERE INTENT REQUIRES CLARIFICATION - SEE LOWER LEVEL PLANS OR ELEVATIONS FOR SIZE
- INDICATES POST ABOVE
- INDICATES PARAPET - CONTINUE STUDS (and PLYWOOD SHEATHING WHERE OCCURS) UNINTERRUPTED PAST ROOF LEVEL UP TO TOP OF PARAPET/SCREEN WALL
- INDICATES BEARING STUD WALL and/or SHEAR STUD WALL BELOW (NON-BEARING WALLS NOT SHOWN FOR CLARITY)
- INDICATES DOUBLE TOP PLATE SPICE MARK REQUIRED FULL LENGTH OF WALL WHERE PLATE SPLICES OCCUR - SEE SCHEDULE 950.41 - IF NO MARK INDICATED, SPLICE PLATES PER MARK TPS1
- HDR ——— INDICATES HEADER OVER OPENING IN STUD WALL BELOW - FOR JAMB and HEADER SIZE and CONSTRUCTION SEE 1/50.41, UNLESS INDICATED OTHERWISE - PROVIDE JAMB POST OF MATERIAL SCHEDULED EVEN IF NOT SHOWN ON PLANS

**PLAN NOTES**

1. FOR GENERAL NOTES and TYPICAL DETAILS SEE S0 SERIES SHEETS.
2. SEE ARCHITECTURAL DRAWINGS FOR TOP OF ROOF SHEATHING ELEVATIONS, TOP OF PARAPET ELEVATIONS, ROOF SLOPES, ROOF DRAINS, SCUPPERS, and OVERFLOWS NOT INDICATED ON STRUCTURAL DRAWINGS. DETERMINE INTERMEDIATE TOP OF ROOF SHEATHING ELEVATIONS BY USING STRAIGHT-LINE INTERPOLATION. SEE MECHANICAL DRAWINGS FOR LOCATIONS OF ROOF MOUNTED EQUIPMENT, ROOF SUSPENDED EQUIPMENT, and ROOF OPENINGS FOR DUCTWORK and VENTILATION NOT INDICATED ON STRUCTURAL DRAWINGS.
3. ROOF SHEATHING CONSTRUCTION UNLESS INDICATED OTHERWISE: 15/32" APA RATED STRUCTURAL I PLYWOOD W/ 10d @ 6" O.C B.N. AND E.N. - 10d @ 12" O.C F.N. - BLOCK ALL EDGES - SEE DETAIL 1/50.42.
4. PROVIDE 2 ROWS PLYWOOD B.N. TO BEAMS, GLB's, DOUBLE JOISTS, and DOUBLE RAFTERS
5. PROVIDE OPENINGS IN ROOF UP TO 4'-0" SQUARE PER DETAIL 2/50.42. PROVIDE RECESSES IN ROOF FOR DRAINS and OVERFLOWS PER 10/50.42.
6. SEE ARCH'L FOR EXTENT OF HARD CEILINGS - CONSTRUCT CEILING JOIST PER DETAIL 3/50.42.



IDENTIFICATION STAMP  
 DIVISION OF THE STATE ARCHITECT  
 OFFICE OF REGULATION SERVICE  
 APPL. #: 01-116180  
 AC: \_\_\_\_\_ FL: \_\_\_\_\_ SS: \_\_\_\_\_  
 DATE: 3.21.17  
 FILE NUMBER: 43-H10

BUILDING D SCIENCE AND CLASSROOM BUILDINGS, PIEDMONT HILLS HIGH SCHOOL  
 1377 PIEDMONT RD  
 SAN JOSE, CA 95132  
 Developed for EAST SIDE UNION HIGH SCHOOL DISTRICT

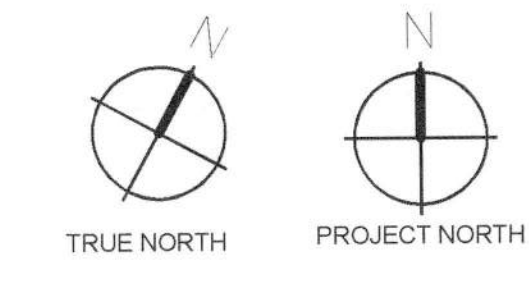
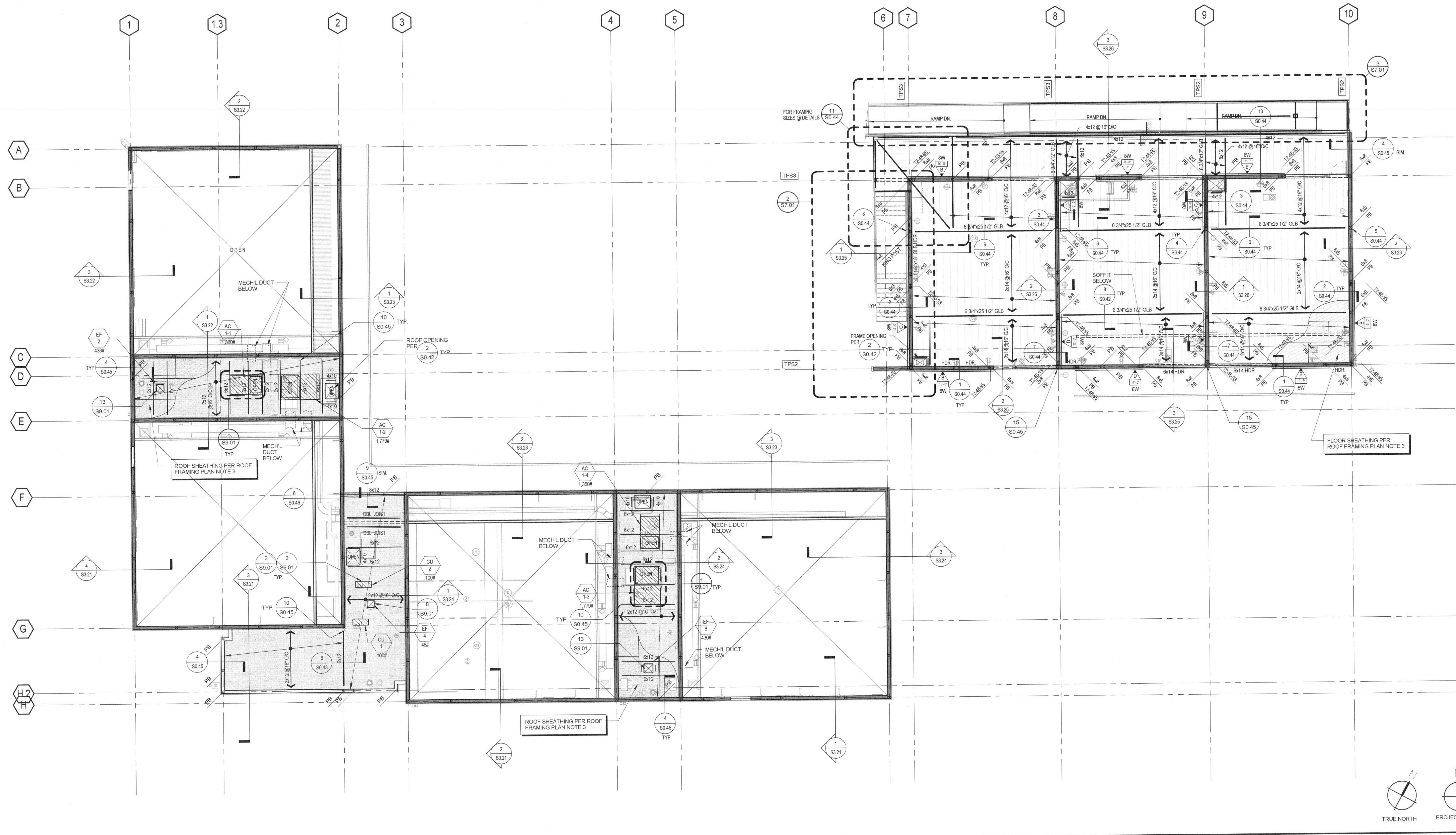
This set of drawings is the property of LPA and shall remain the property of LPA. It is to be used only for the project and location specified on the title block. No part of these drawings shall be reproduced, stored in a retrieval system, or transmitted in any form or by any means, electronic, mechanical, photocopying, recording, or by any information storage and retrieval system, without the prior written permission of LPA. The user of these drawings shall be responsible for obtaining all necessary permits and approvals from the appropriate authorities. LPA does not warrant the accuracy of the information contained in these drawings and shall not be held liable for any errors or omissions. © Copyright 2014

Date	Revision

Date	Description
03/18/16	SCHEMATIC DESIGN
05/10/16	DESIGN DEVELOPMENT
06/15/16	50% CONSTRUCTION DOCUMENTS
07/27/16	85% CONSTRUCTION DOCUMENTS
08/12/16	USA SUBMITTAL
03/28/17	USA APPROVAL

Job No.	190210
Date	08/12/2016
Checked by	DW
Scale	1/8" = 1'-0"

LOW CANOPY



**LEGEND**

INDICATES PLYWOOD SHEATHING AT SHEAR WALL WHERE OCCURS

INDICATES NOMINAL STUD WIDTH OF WALL - FOR EXAMPLE, "6W" INDICATES 6" NOMINAL STUD WALL WIDTH - IF NOTHING INDICATED, STUD WALL NOMINAL WIDTH SHALL BE 6" - PROVIDE 2x10 NOMINAL WIDTH STUDS @ 16" O.C. UNLESS INDICATED OTHERWISE ON SHEAR WALL SCHEDULE OR PLANS

INDICATES SHEAR WALL HORIZONTAL DESIGN LENGTH. ACTUAL LENGTH OF WALL MAY EXCEED, BUT SHALL NOT BE LESS THAN, THE LENGTH SHOWN

INDICATES SHEAR WALL MARK - FOR SHEAR WALL CONSTRUCTION SEE 210.41 - PROVIDE SHEAR WALL TYPE "A" CONSTRUCTION AT EXTERIOR SIDES OF ALL PERIMETER WALLS AND FLURRED-OUT WALLS UNLESS NOTED OTHERWISE INCLUDING PORTION OF WALL ABOVE AND BELOW OPENINGS - VERTICAL EXTENT FOR SHEAR WALLS INDICATED ON THIS PLAN IS FROM SLAB ON GRADE UP TO BOTTOM OF ROOF OR TOP OF PARAPET/SCREEN WALL

INDICATES STRUCTURAL LOAD BEARING, SHEAR, OR PERIMETER WOOD STUD WALL - CONSTRUCT PER 160.41 - DO NOT SPLICE STUDS UNLESS SPECIFICALLY DETAILED OR INDICATED - SUBSTITUTE TIMBERSTRAND "LSL" STUDS WHERE STUD LENGTHS EXCEED COMMONLY AVAILABLE CONVENTIONAL LUMBER LENGTHS (TALL PARAPETS FOR EXAMPLE) - SEE GENERAL NOTES FOR TIMBERSTRAND "LSL" STUD REQUIREMENTS -

**LEGEND**

BM INDICATES BEAM

INDICATES UPWARD CAMBER (INCHES) REQUIRED AT MIDSPAN OF BEAM OR GIRDER, UNLESS NOTED OTHERWISE - IF NO CAMBER IS INDICATED, NO CAMBER IS REQUIRED

INDICATES ROOF RAFTER OR JOIST MARK - SEE SCHEDULE THIS SHEET FOR MATERIAL AND SPACING - PROVIDE SIMPSON 1" HANGERS AT CONNECTIONS TO SUPPORTING BEAMS AND RIDGES U.N.O.

INDICATES EXTENT OF RAFTER OR JOISTS

INDICATES BEARING RAFTER OR JOISTS MATCHING FRAMING SIZE and FACE NAILED W/ (2) ROWS 16d @ 12" O/C

INDICATES POST ABOVE RUNNING FULL HEIGHT TO TOP PLATES AT ROOF OR TOP OF PARAPET ABOVE (RUN UNINTERRUPTED TO DOUBLE TOP PLATES AT BALCONY-FRAMED WALLS) - PROVIDE SIMPSON A35's TOP (TO DOUBLE TOP PLATES) and BOTTOM (TO SILL PLATE) WHERE POST OCCURS IN STUD WALL UNLESS OTHER HARDWARE IS INDICATED - SUBSTITUTE PARALLAM "PSL" POST WHERE POST LENGTHS EXCEED COMMONLY AVAILABLE CONVENTIONAL LUMBER LENGTHS (TALL PARAPETS FOR EXAMPLE) - SEE GENERAL NOTES FOR PARALLAM "PSL" POST REQUIREMENTS

INDICATES HOLD-DOWN MARK FOR HOLD-DOWN ABOVE AND BELOW - SEE TYPICAL ELEVATION 1150.46

**LEGEND**

INDICATES CHANGE IN ELEVATION OR CHANGE OF SLOPE AT ROOF SHEATHING

INDICATES POST OR STEEL COLUMN BELOW - "PB" OR "CB" ADDED ONLY AT LOCATIONS WHERE INTENT REQUIRES CLARIFICATION - SEE LOWER LEVEL PLANS OR ELEVATIONS FOR SIZE

INDICATES POST ABOVE

INDICATES PARAPET - CONTINUE STUDS (and PLYWOOD SHEATHING WHERE OCCURS) UNINTERRUPTED PAST ROOF LEVEL UP TO TOP OF PARAPET/SCREEN WALL

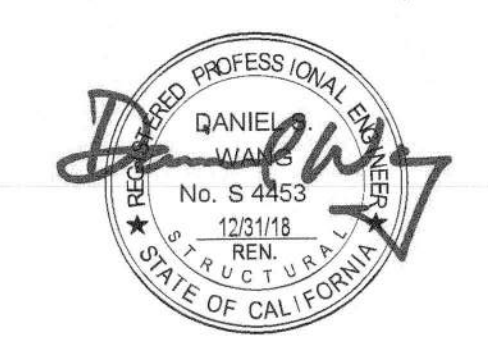
INDICATES BEARING STUD WALL and/or SHEAR STUD WALL BELOW (NON-BEARING WALLS NOT SHOWN FOR CLARITY)

INDICATES DOUBLE TOP PLATE SPLICE MARK REQUIRED FULL LENGTH OF WALL WHERE PLATE SPLICES OCCUR - SEE SCHEDULE 9150.41 - IF NO MARK INDICATED, SPLICE PLATES PER MARK TYP.

INDICATES HEADER OVER OPENING IN STUD WALL BELOW - FOR JAMB and HEADER SIZE and CONSTRUCTION SEE 160.41, UNLESS INDICATED OTHERWISE - PROVIDE JAMB POST OF MATERIAL SCHEDULED EVEN IF NOT SHOWN ON PLANS

**PLAN NOTES**

- FOR GENERAL NOTES and TYPICAL DETAILS SEE S0 SERIES SHEETS.
- SEE ARCHITECTURAL DRAWINGS FOR TOP OF ROOF SHEATHING ELEVATIONS, TOP OF PARAPET ELEVATIONS, ROOF SLOPES, ROOF DRAINS, SCUPPERS, and OVERFLOWS NOT INDICATED ON STRUCTURAL DRAWINGS. DETERMINE INTERMEDIATE TOP OF ROOF SHEATHING ELEVATIONS BY USING STRAIGHT-LINE INTERPOLATION. SEE MECHANICAL DRAWINGS FOR LOCATIONS OF ROOF MOUNTED EQUIPMENT, ROOF SUSPENDED EQUIPMENT, and ROOF OPENINGS FOR DUCTWORK and VENTILATION NOT INDICATED ON STRUCTURAL DRAWINGS.
- ROOF SHEATHING CONSTRUCTION UNLESS INDICATED OTHERWISE: 15/32" APA RATED STRUCTURAL I PLYWOOD W/ 10d @ 4" O/C B.N. AND E.N. - 10d @ 12" O/C F.N. - BLOCK ALL EDGES - SEE DETAIL 1/60.42.
- FLOOR SHEATHING CONSTRUCTION UNLESS INDICATED OTHERWISE: 23/32" APA RATED STRUCTURAL I PLYWOOD W/ 10d @ 4" O/C B.N. AND E.N. - 10d @ 12" O/C F.N. - BLOCK ALL EDGES - SEE DETAIL 1/60.42.
- PROVIDE 2 ROWS PLYWOOD B.N. TO BEAMS, GLB's, DOUBLE JOISTS, and DOUBLE RAFTERS
- PROVIDE OPENINGS IN ROOF FLOOR UP TO 4'-0" SQUARE PER DETAIL 2/50.42. PROVIDE RECESSES IN ROOF FOR DRAINS AND OVERFLOWS PER 10/60.42.
- SEE ARCH. FOR EXTENT OF HARD CEILING - CONSTRUCT CEILING JOIST PER DETAIL 3/60.42.



IDENTIFICATION STAMP  
 DIVISION OF THE STATE ARCHITECT  
 OFFICE OF REGULATION SERVICE  
 APPL. #: 01-116180  
 DATE: 3.21.17  
 FILE NUMBER: 43-H10

**BUILDING D SCIENCE AND CLASSROOM BUILDINGS, PIEDMONT HILLS HIGH SCHOOL**  
 1377 PIEDMONT RD  
 SAN JOSE, CA 95132

Developed for: EAST SIDE UNION HIGH SCHOOL DISTRICT

This set of architectural drawings and specifications is the property of LPA and shall remain the property of LPA. It is loaned to the client for their use only and shall not be reproduced, copied, or distributed in any form without the written consent of LPA. The client agrees to hold LPA harmless from any and all claims, damages, or liabilities arising from the use of these drawings and specifications. LPA shall not be responsible for any errors or omissions in these drawings and specifications. The client shall be responsible for providing accurate information and for checking all dimensions and quantities against the actual site conditions. LPA shall not be responsible for any delays or interruptions in the construction process caused by the client or any third party. The client shall be responsible for obtaining all necessary permits and approvals from the relevant authorities. LPA shall not be responsible for any changes or modifications to these drawings and specifications after they have been approved by the client. LPA shall not be responsible for any construction that does not conform to these drawings and specifications. LPA shall not be responsible for any construction that is not shown on these drawings and specifications. LPA shall not be responsible for any construction that is shown on these drawings and specifications but is not indicated as such. LPA shall not be responsible for any construction that is indicated as such on these drawings and specifications but is not shown on these drawings and specifications. LPA shall not be responsible for any construction that is shown on these drawings and specifications but is not indicated as such. LPA shall not be responsible for any construction that is indicated as such on these drawings and specifications but is not shown on these drawings and specifications.

Date	Revision

Date	Revision
03/19/16	
05/19/16	
06/15/16	
07/27/16	
08/12/16	
03/08/17	

Author	Checked	Date

Job No: 1602010  
 Date: 08/12/2016  
 Checked by: DW  
 Scale: 1/8" = 1'-0"

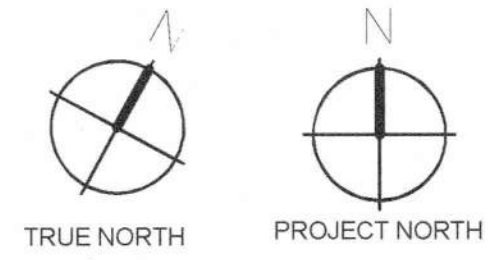
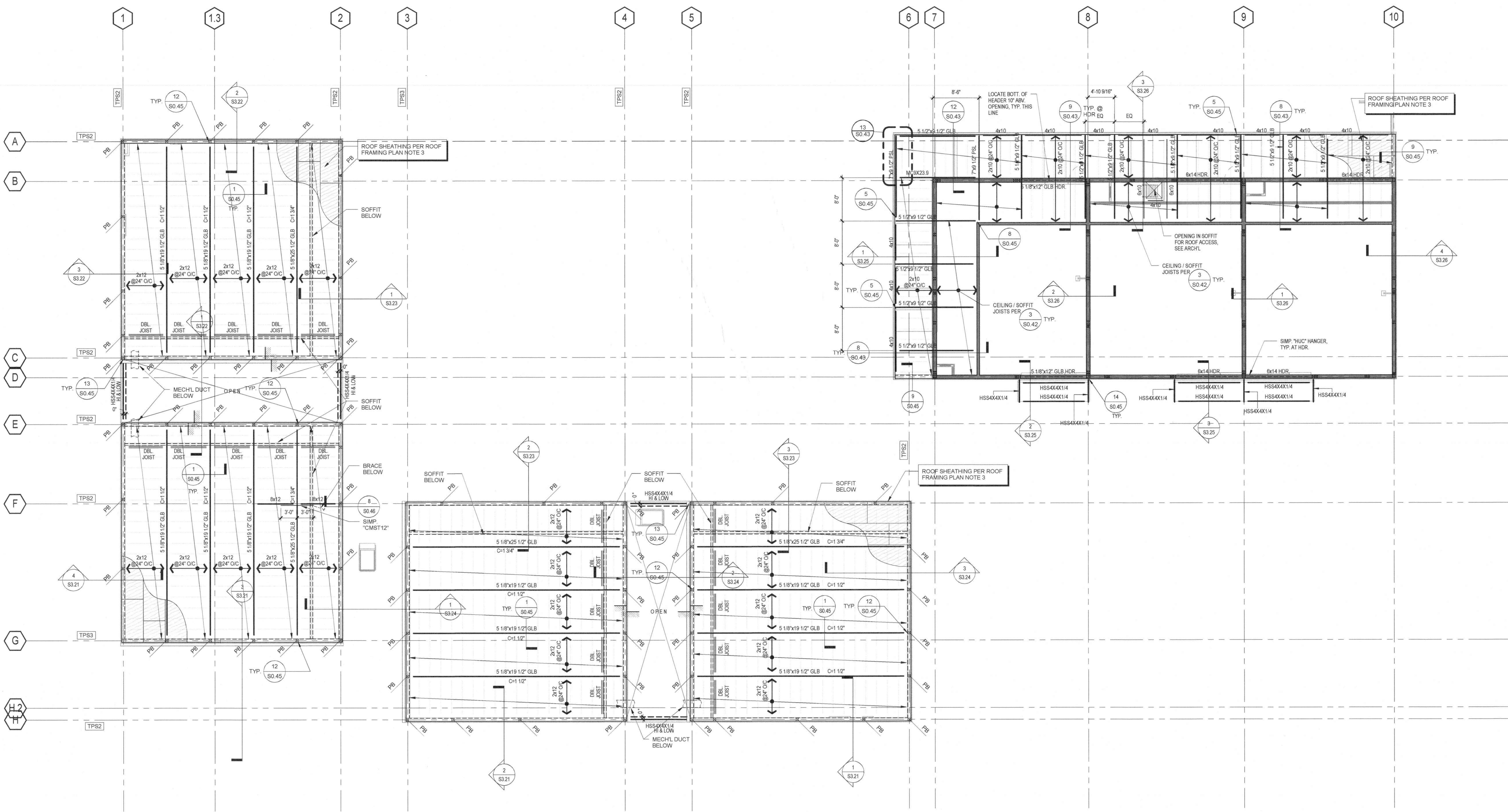


IDENTIFICATION STAMP  
 DIVISION OF THE STATE ARCHITECT  
 OFFICE OF REGULATION SERVICE  
 APPL. #: D1-116180  
 AC: \_\_\_\_\_ FIS: \_\_\_\_\_ SS: \_\_\_\_\_  
 DATE: 3.21.17  
 FILE NUMBER: 43-H10

**BUILDING D SCIENCE AND CLASSROOM BUILDINGS, PIEDMONT HILLS HIGH SCHOOL**  
 1377 PIEDMONT RD  
 SAN JOSE, CA 95132

Developed for  
**EAST SIDE UNION HIGH SCHOOL DISTRICT**

This set of drawings is the property of LPA and shall remain the property of LPA. It is to be used only for the project and location specified on the title block. No part of these drawings may be reproduced, stored in a retrieval system, or transmitted in any form or by any means, electronic, mechanical, photocopying, recording, or by any information storage and retrieval system, without the prior written permission of LPA. The user of these drawings shall be responsible for obtaining all necessary permits and approvals from the appropriate authorities. LPA shall not be responsible for any errors or omissions in these drawings. The user shall verify all dimensions and conditions on site. LPA shall not be responsible for any damage to property or persons resulting from the use of these drawings. LPA shall not be responsible for any changes to these drawings made by the user. LPA shall not be responsible for any changes to these drawings made by the user.



**LEGEND**

- BM INDICATES BEAM
- <C>X INDICATES UPWARD CAMBER (INCHES) REQUIRED AT MIDSPAN OF BEAM OR GIRDER, UNLESS NOTED OTHERWISE - IF NO CAMBER IS INDICATED, NO CAMBER IS REQUIRED
- INDICATES ROOF RAFTER OR JOIST MARK - SEE SCHEDULE THIS SHEET FOR MATERIAL and SPACING - PROVIDE SIMPSON "L" HANGERS AT CONNECTIONS TO SUPPORTING BEAMS and RIDGES U.N.C.
- INDICATES EXTENT OF RAFTER or JOISTS
- DBL INDICATES DOUBLE RAFTER or JOISTS MATCHING FRAMING SIZE and FACE NAILED W/ (2) ROWS 16d @ 12" O.C
- XX INDICATES MECHANICAL UNIT MARK
- XXXX INDICATES MECHANICAL UNIT WEIGHT

**LEGEND**

- INDICATES CHANGE IN ELEVATION OR CHANGE OF SLOPE AT ROOF SHEATHING
- INDICATES POST BELOW - "PB" ADDED ONLY AT LOCATIONS WHERE INTENT REQUIRES CLARIFICATION - SEE LOWER LEVEL PLANS or ELEVATIONS FOR SIZE
- INDICATES POST ABOVE
- INDICATES PARAPET - CONTINUE STUDS (and PLYWOOD SHEATHING WHERE OCCURS) UNINTERRUPTED PAST ROOF LEVEL UP TO TOP OF PARAPET/SCREEN WALL
- INDICATES BEARING STUD WALL and/or SHEAR STUD WALL BELOW (NON-BEARING WALLS NOT SHOWN FOR CLARITY)
- INDICATES DOUBLE TOP PLATE SPLICE MARK REQUIRED FULL LENGTH OF WALL WHERE PLATE SPLICES OCCUR - SEE SCHEDULE 9/80.41 - IF NO MARK INDICATED, SPLICE PLATES PER MARK TSP1
- INDICATES HEADER OVER OPENING IN STUD WALL BELOW - FOR JAMB and HEADER SIZE and CONSTRUCTION SEE 1/80.41, UNLESS INDICATED OTHERWISE - PROVIDE JAMB POST OF MATERIAL SCHEDULED EVEN IF NOT SHOWN ON PLANS

**PLAN NOTES**

1. FOR GENERAL NOTES and TYPICAL DETAILS SEE S0 SERIES SHEETS.
2. SEE ARCHITECTURAL DRAWINGS FOR TOP OF ROOF SHEATHING ELEVATIONS, TOP OF PARAPET ELEVATIONS, ROOF SLOPES, ROOF DRAINS, SCUPPERS, and OVERFLOWS NOT INDICATED ON STRUCTURAL DRAWINGS. DETERMINE INTERMEDIATE TOP OF ROOF SHEATHING ELEVATIONS BY USING STRAIGHT-LINE INTERPOLATION. SEE MECHANICAL DRAWINGS FOR LOCATIONS OF ROOF MOUNTED EQUIPMENT, ROOF SUSPENDED EQUIPMENT, and ROOF OPENINGS FOR DUCTWORK and VENTILATION NOT INDICATED ON STRUCTURAL DRAWINGS.
3. ROOF SHEATHING CONSTRUCTION UNLESS INDICATED OTHERWISE 15/32" APA RATED STRUCTURAL PLYWOOD W/ 10d @ 6" O.C B.N. AND E.N. - 10d @ 12" O.C F.N. - BLOCK ALL EDGES - SEE DETAIL 1/80.42
4. PROVIDE 2 ROWS PLYWOOD B.N. TO BEAMS, GLB'S, DOUBLE JOISTS, and DOUBLE RAFTERS
5. PROVIDE OPENINGS IN ROOF UP TO 4'-0" SQUARE PER DETAIL 2/80.42. PROVIDE RECESSES IN ROOF FOR DRAINS and OVERFLOWS PER 10/80.42
6. SEE ARCH. FOR EXTENT OF HARD CEILINGS - CONSTRUCT CEILING JOIST PER DETAIL 3/80.42

Date	Revision
03/18/16	
06/10/16	
06/15/16	
07/27/16	
08/12/16	
03/09/17	

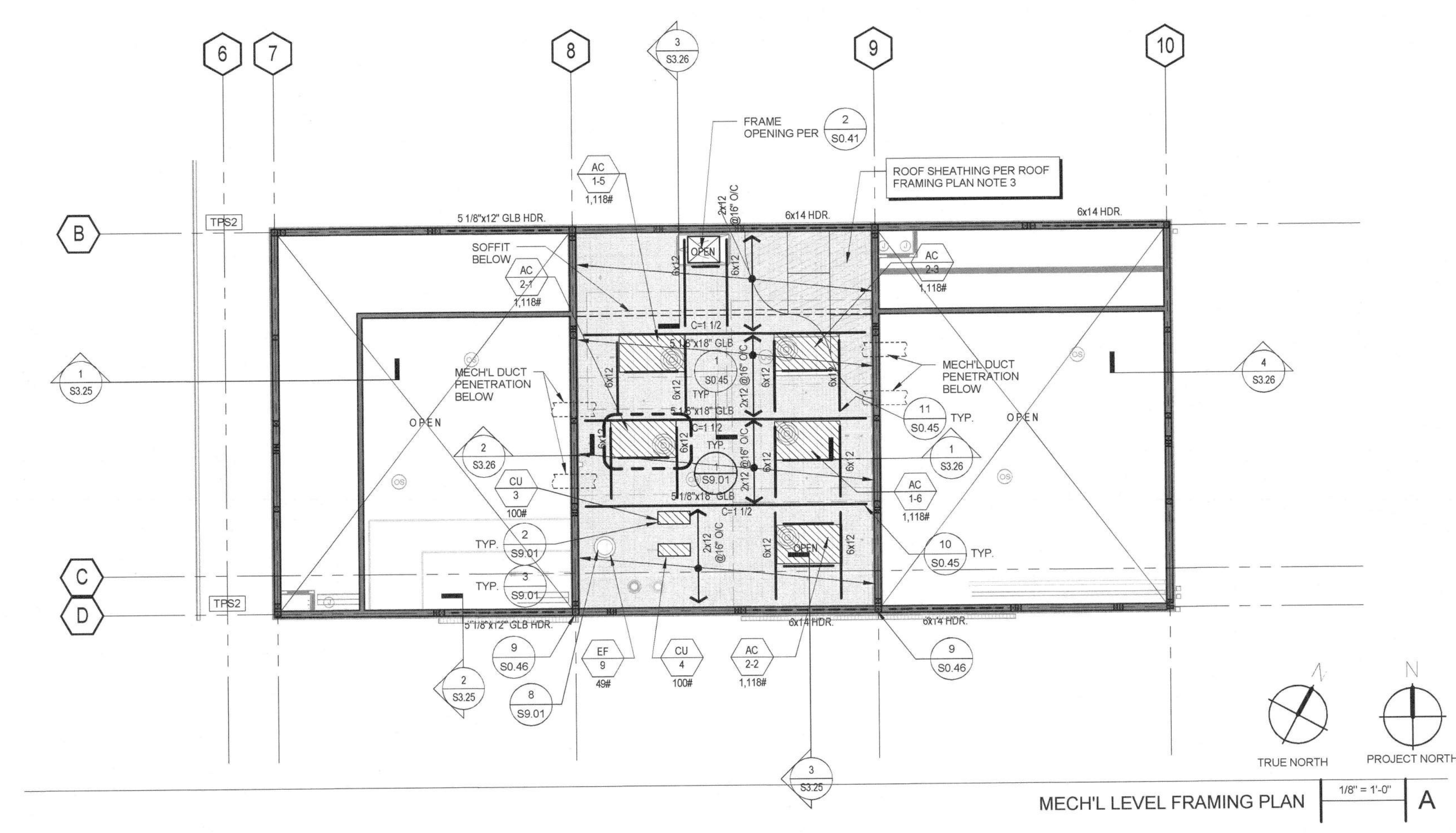
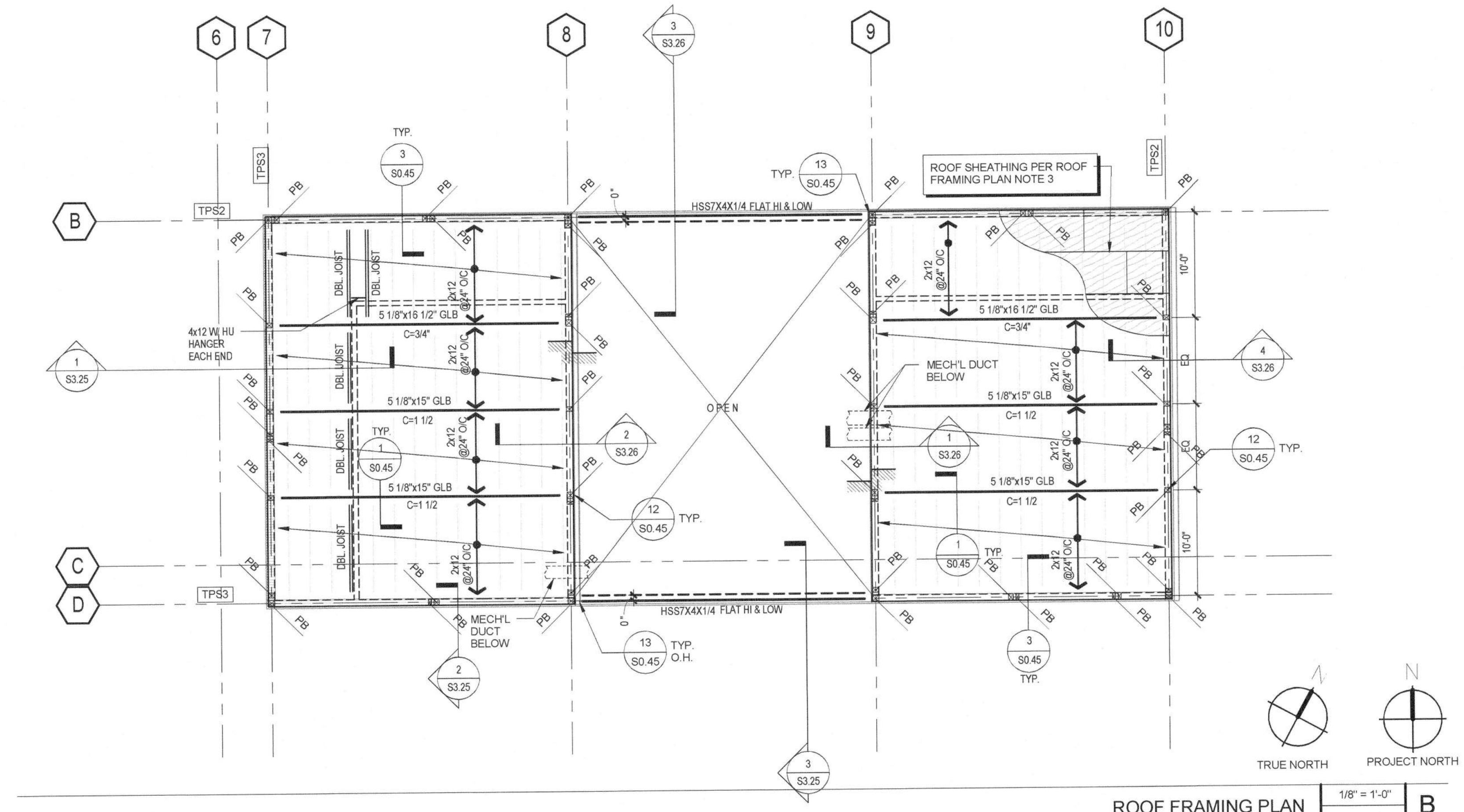
Job No. 1602010  
 Date 08/12/2016  
 Checked by DW  
 Scale 1/8" = 1'-0"



IDENTIFICATION STAMP  
 DIVISION OF THE STATE ARCHITECT  
 OFFICE OF REGULATION SERVICE  
 APPL. # 01-116180  
 DATE 3-21-17  
 FILE NUMBER 43-H10

**BUILDING D SCIENCE AND CLASSROOM BUILDINGS, PIEDMONT HILLS HIGH SCHOOL**  
 1377 PIEDMONT RD  
 SAN JOSE, CA 95132  
 Developed for EAST SIDE UNION HIGH SCHOOL DISTRICT

This set of other project drawings and all other documents incorporated by reference are the property of LPA and shall remain the property of LPA. LPA shall retain the right to use the information contained herein for marketing purposes. LPA shall not be held responsible for any errors or omissions in this drawing. LPA shall not be held responsible for any construction delays or cost overruns caused by any third party. LPA shall not be held responsible for any construction delays or cost overruns caused by any third party. LPA shall not be held responsible for any construction delays or cost overruns caused by any third party.



**LEGEND**

- BM - INDICATES BEAM
- <C-X> - INDICATES UPWARD CAMBER (INCHES) REQUIRED AT MIDSPAN OF BEAM OR GIRDER, UNLESS NOTED OTHERWISE - IF NO CAMBER IS INDICATED, NO CAMBER IS REQUIRED
- RX / SX - INDICATES ROOF RAFTER OR JOIST MARK - SEE SCHEDULE THIS SHEET FOR MATERIAL AND SPACING - PROVIDE SIMPSON "U" HANGERS AT CONNECTIONS TO SUPPORTING BEAMS AND RIDGES U.N.O.
- XXXX# - INDICATES EXTENT OF RAFTER OR JOISTS
- DBL - INDICATES DOUBLE RAFTER OR JOISTS MATCHING FRAMING SIZE AND FACE NAILED W/ (2) ROWS 16d @ 12" O.C
- XX - INDICATES MECHANICAL UNIT MARK
- XXXX# - INDICATES MECHANICAL UNIT WEIGHT

**LEGEND**

- - INDICATES CHANGE IN ELEVATION OR CHANGE OF SLOPE AT ROOF SHEATHING
- PB- - INDICATES POST BELOW - "PB" ADDED ONLY AT LOCATIONS WHERE INTENT REQUIRES CLARIFICATION - SEE LOWER LEVEL PLANS OR ELEVATIONS FOR SIZE
- - INDICATES POST ABOVE
- - INDICATES PARAPET - CONTINUE STUDS (and PLYWOOD SHEATHING WHERE OCCURS) UNINTERRUPTED PAST ROOF LEVEL UP TO TOP OF PARAPET/SCREEN WALL
- - INDICATES BEARING STUD WALL and/OR SHEAR STUD WALL BELOW (NON-BEARING WALLS NOT SHOWN FOR CLARITY)
- TPS# - INDICATES DOUBLE TOP PLATE SPLICE MARK REQUIRED FULL LENGTH OF WALL WHERE PLATE SPLICES OCCUR - SEE SCHEDULE #S0.41 - IF NO MARK INDICATED, SPLICE PLATES PER MARK TPS#
- HDR - INDICATES HEADER OVER OPENING IN STUD WALL BELOW - FOR JAMB and HEADER SIZE and CONSTRUCTION SEE 1/80.41, UNLESS INDICATED OTHERWISE - PROVIDE JAMB POST OF MATERIAL SCHEDULED EVEN IF NOT SHOWN ON PLANS

**PLAN NOTES**

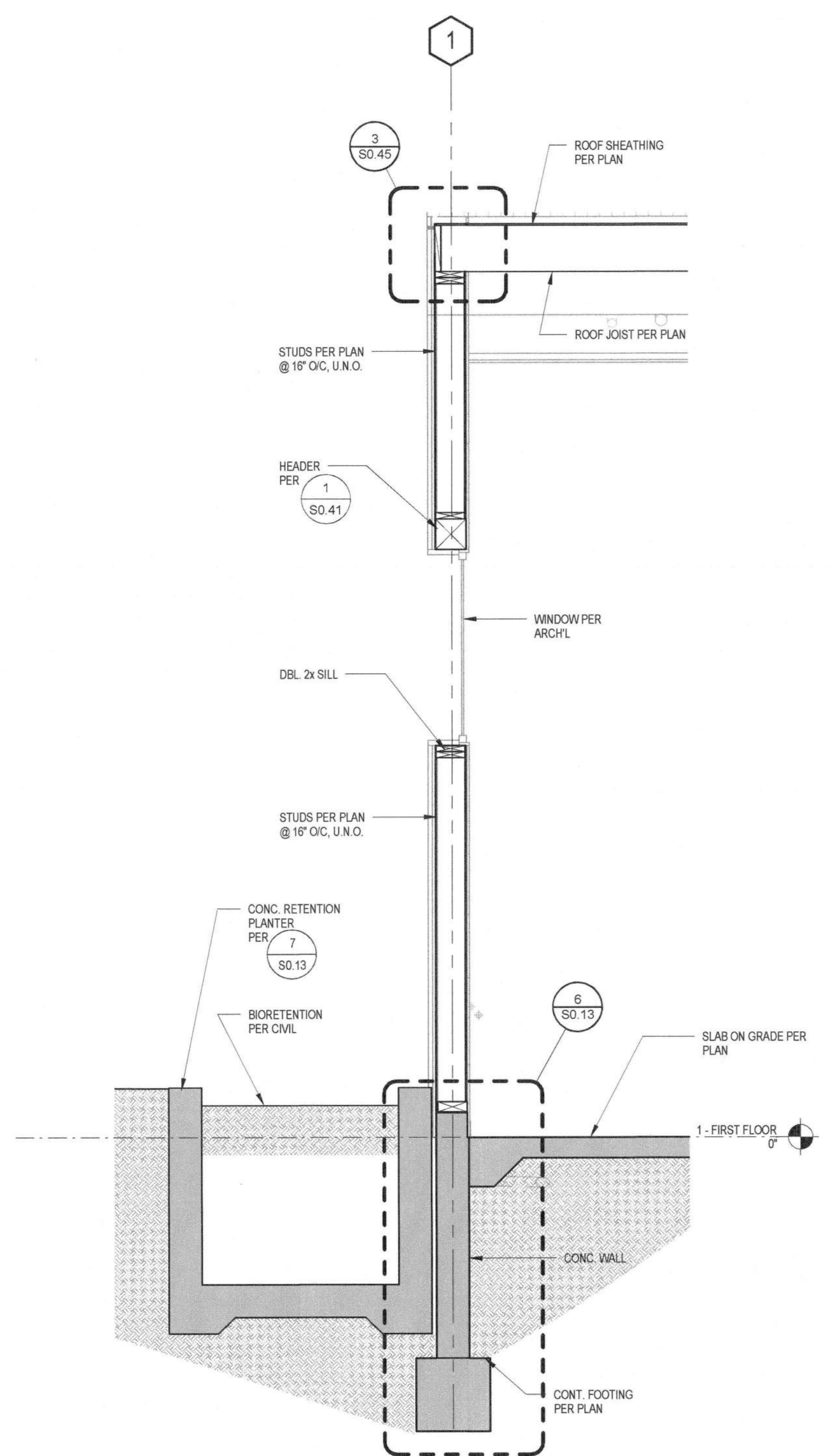
- FOR GENERAL NOTES and TYPICAL DETAILS SEE S0 SERIES SHEETS.
- SEE ARCHITECTURAL DRAWINGS FOR TOP OF ROOF SHEATHING ELEVATIONS; TOP OF PARAPET ELEVATIONS; ROOF SLOPES, ROOF DRAINS, SCUPPERS, and OVERFLOWS NOT INDICATED ON STRUCTURAL DRAWINGS. DETERMINE INTERMEDIATE TOP OF ROOF SHEATHING ELEVATIONS BY USING STRAIGHT-LINE INTERPOLATION. SEE MECHANICAL DRAWINGS FOR LOCATIONS OF ROOF MOUNTED EQUIPMENT, ROOF SUSPENDED EQUIPMENT, and ROOF OPENINGS FOR DUCTWORK and VENTILATION NOT INDICATED ON STRUCTURAL DRAWINGS.
- ROOF SHEATHING CONSTRUCTION UNLESS INDICATED OTHERWISE: 15/32" APA RATED STRUCTURAL PLYWOOD W/ 10d @ 6" O.C B.N. AND E.N. - 10d @ 12" O.C F.N. - BLOCK ALL EDGES - SEE DETAIL 1/80.42.
- PROVIDE 2 ROWS PLYWOOD B.N. TO BEAMS, GLB'S, DOUBLE JOISTS, and DOUBLE RAFTERS
- PROVIDE OPENINGS IN ROOF UP TO 4'-0" SQUARE PER DETAIL 2/80.42. PROVIDE RECESSES IN ROOF FOR DRAINS and OVERFLOWS PER 1/80.42.
- SEE ARCH'L FOR EXTENT OF HARD CEILINGS - CONSTRUCT CEILING JOIST PER DETAIL 3/80.42.

Date	Revision
03/16/16	
05/10/16	
06/15/16	
07/27/16	
08/12/16	
03/09/17	

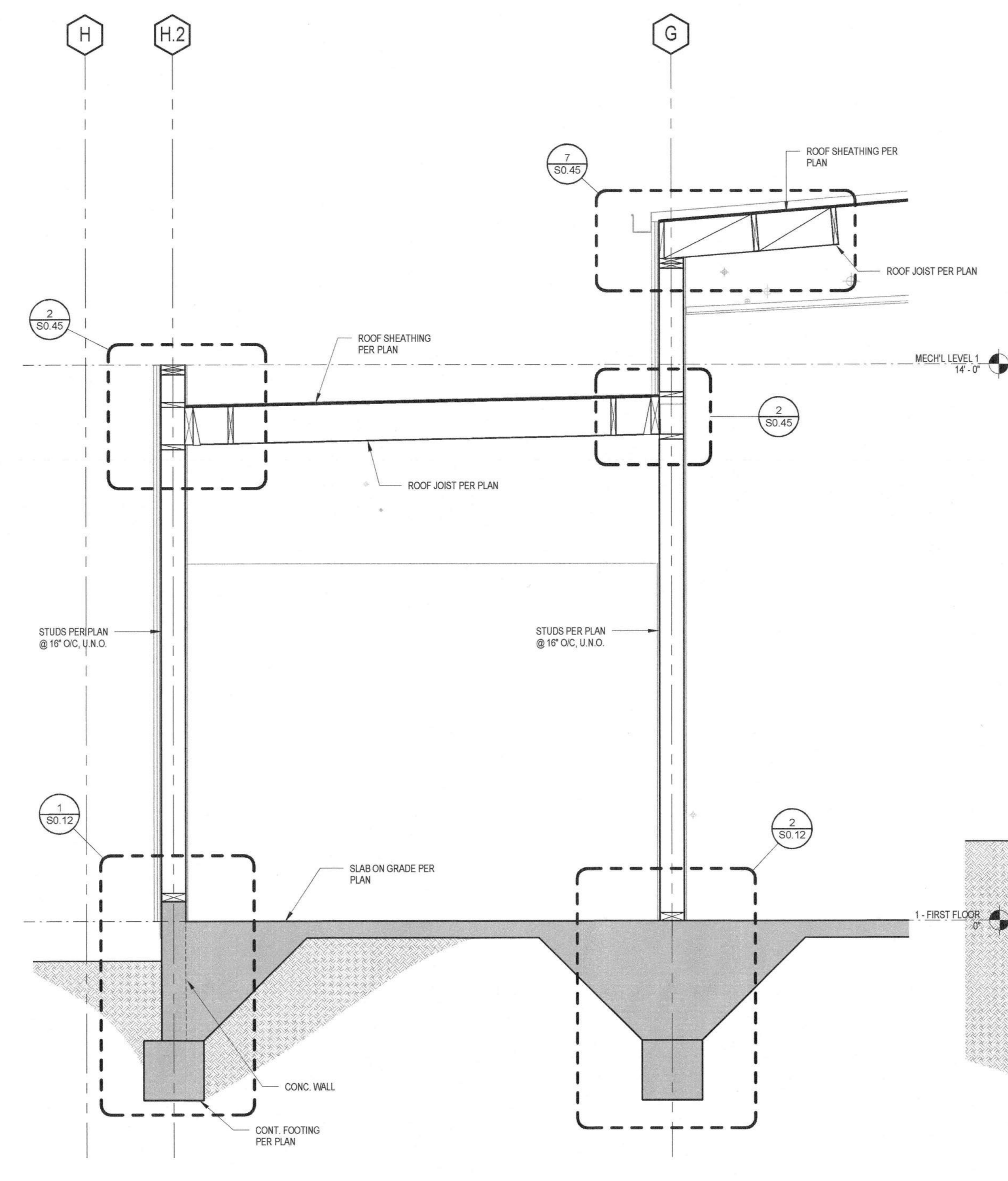
  

Job No.	1802010
Date	08/12/2016
Checked by	DW
Scale	1/8" = 1'-0"

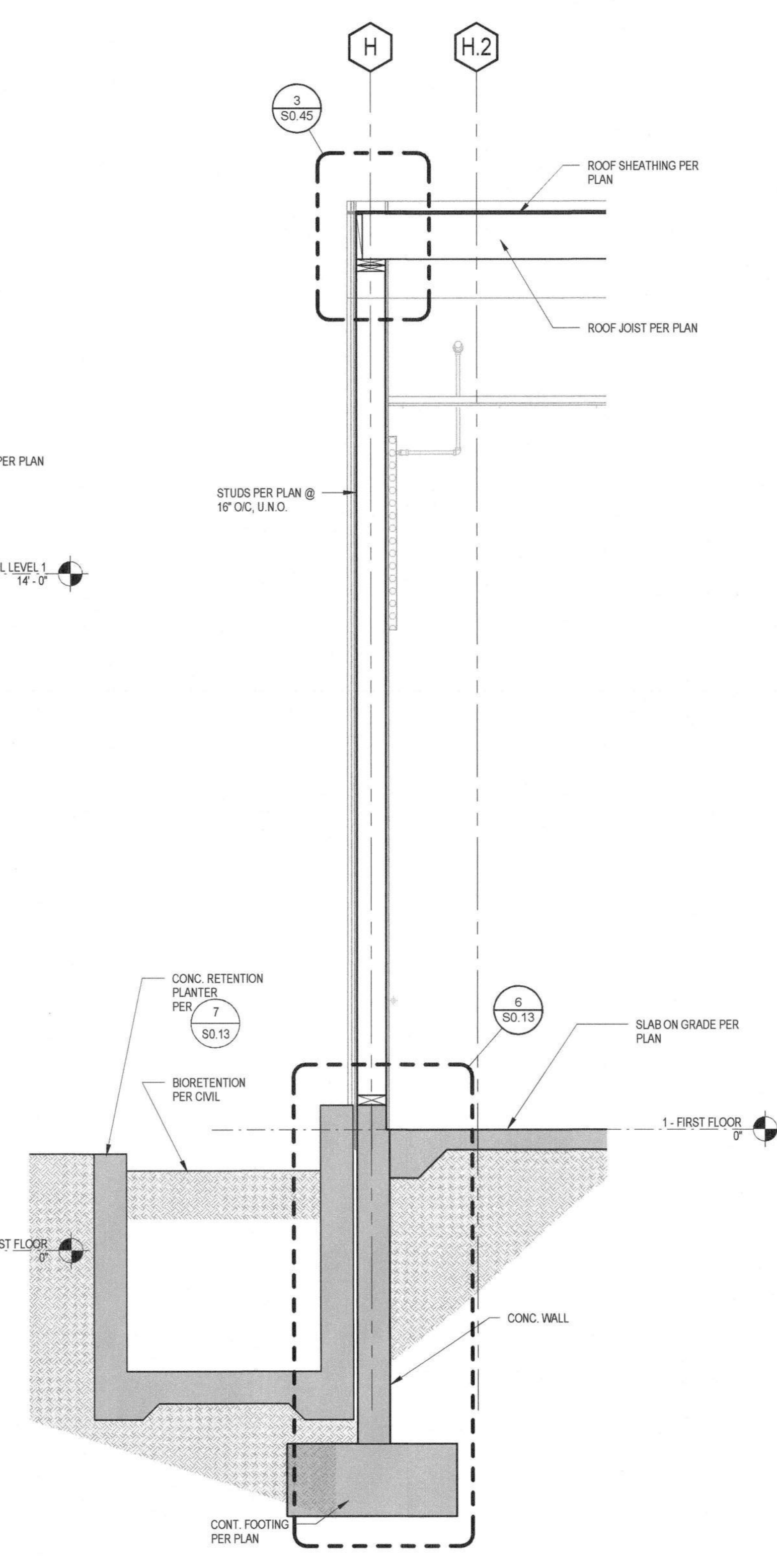




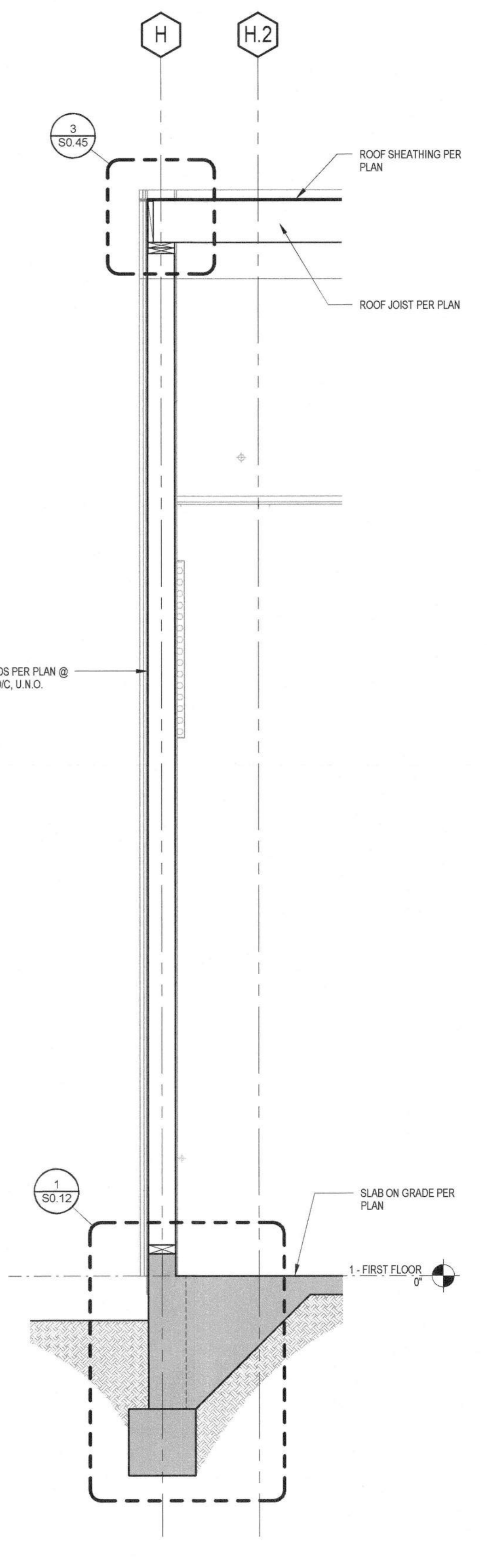
BUILDING SECTION 1/2" = 1'-0" 4



BUILDING SECTION 1/2" = 1'-0" 3



BUILDING SECTION 1/2" = 1'-0" 2



BUILDING SECTION 1/2" = 1'-0" 1



IDENTIFICATION STAMP  
 DIVISION OF THE STATE ARCHITECT  
 OFFICE OF REGULATION SERVICE  
 APPL. #: 01-116180  
 AC: H S SS H  
 DATE: 3.21.17  
 FILE NUMBER: 43-H10

**BUILDING D SCIENCE AND CLASSROOM BUILDINGS, PIEDMONT HILLS HIGH SCHOOL**  
 1377 PIEDMONT RD  
 SAN JOSE, CA 95132  
 Developed for  
 EAST SIDE UNION HIGH SCHOOL DISTRICT

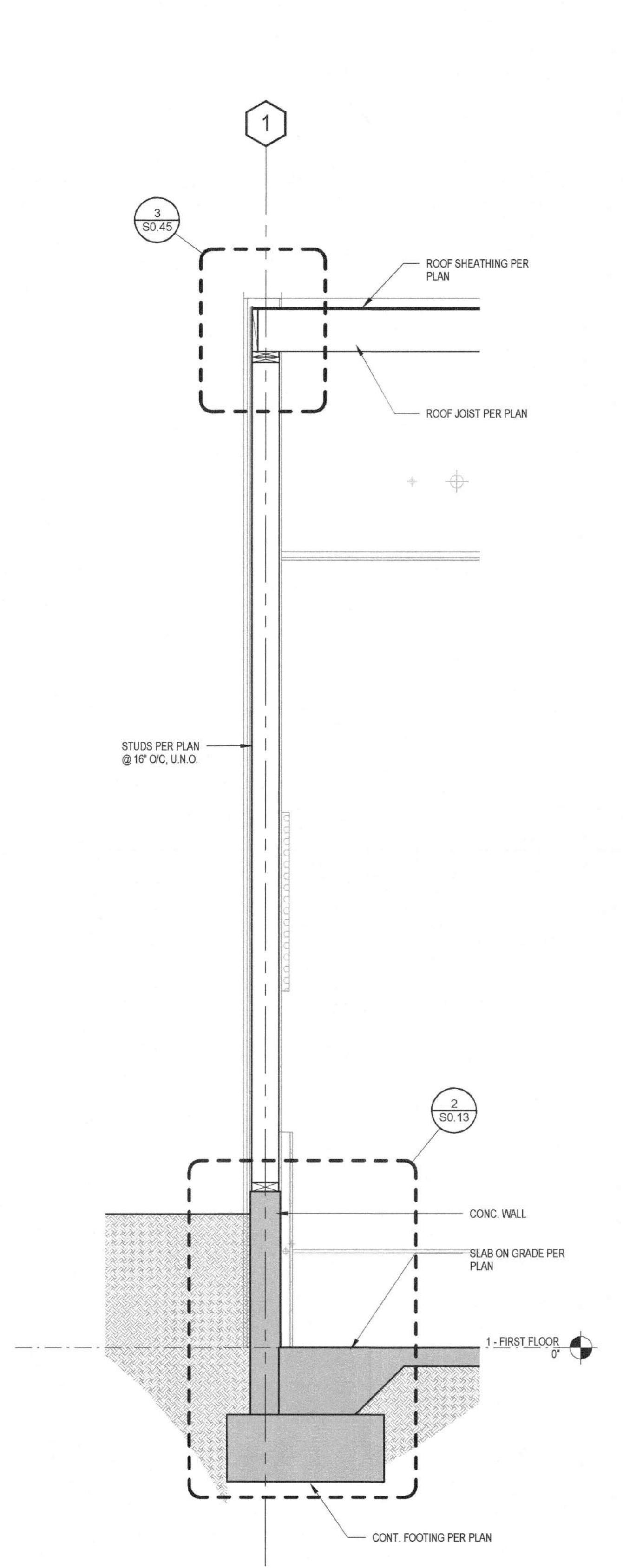
This set of architectural drawings and all their components are the property of LPA. They shall remain the property of LPA. No part of these drawings shall be reproduced, stored in a retrieval system, or transmitted in any form or by any means, electronic, mechanical, photocopying, recording, or by any information storage and retrieval system, without the prior written permission of LPA. The user of these drawings shall be responsible for obtaining the necessary permits and approvals from the appropriate authorities. LPA is not responsible for any errors or omissions in these drawings or for any consequences arising therefrom.

Date	Revision

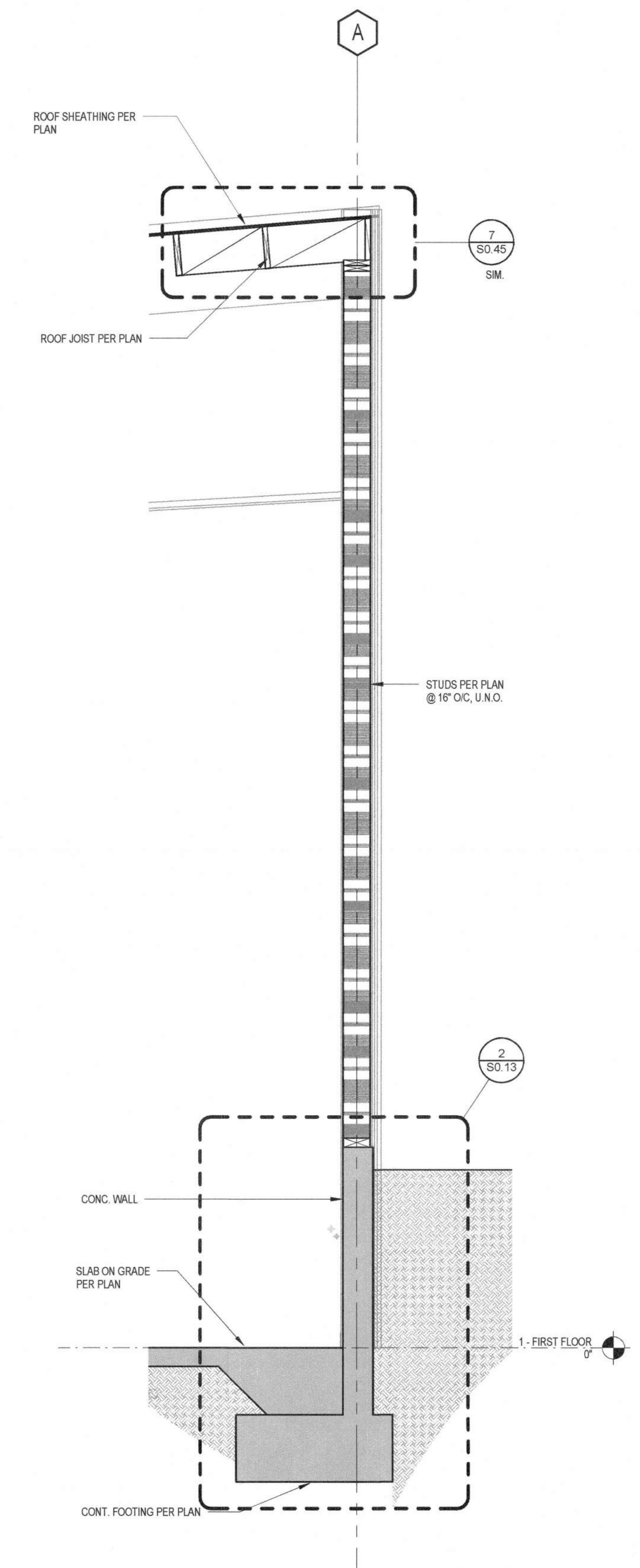
Date	Description
03/18/16	SCHEMATIC DESIGN
06/10/16	DESIGN DEVELOPMENT
06/15/16	50% CONSTRUCTION DOCUMENTS
07/27/16	85% CONSTRUCTION DOCUMENTS
08/12/16	100% SUBMITTAL
03/09/17	100% APPROVAL

Job No. 1602010  
 Date 06/12/2016  
 Checked by DW  
 Scale 1/2" = 1'-0"

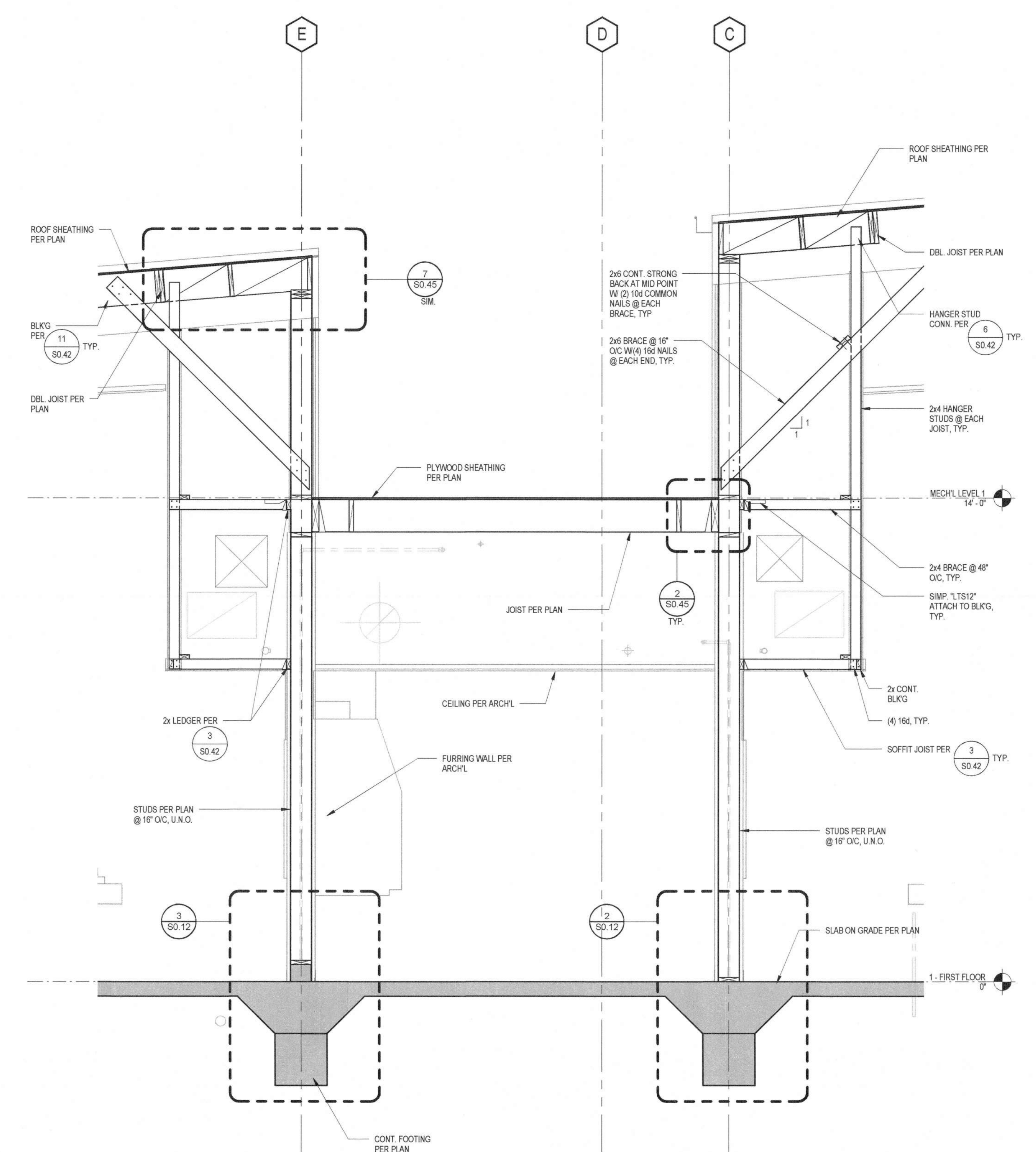
**BUILDING WALL SECTIONS**



BUILDING SECTION  $1/2" = 1'-0"$  3



BUILDING SECTION  $1/2" = 1'-0"$  2



BUILDING SECTION  $1/2" = 1'-0"$  1



IDENTIFICATION STAMP  
 DIVISION OF THE STATE ARCHITECT  
 OFFICE OF REGULATION SERVICE  
 APPL. # 01-116180  
 DATE 3.21.17  
 FILE NUMBER: 43-H10

**BUILDING D SCIENCE AND CLASSROOM BUILDINGS, PIEDMONT HILLS HIGH SCHOOL**  
 1377 PIEDMONT RD  
 SAN JOSE, CA 95132

Developed for  
 EAST SIDE UNION HIGH SCHOOL DISTRICT

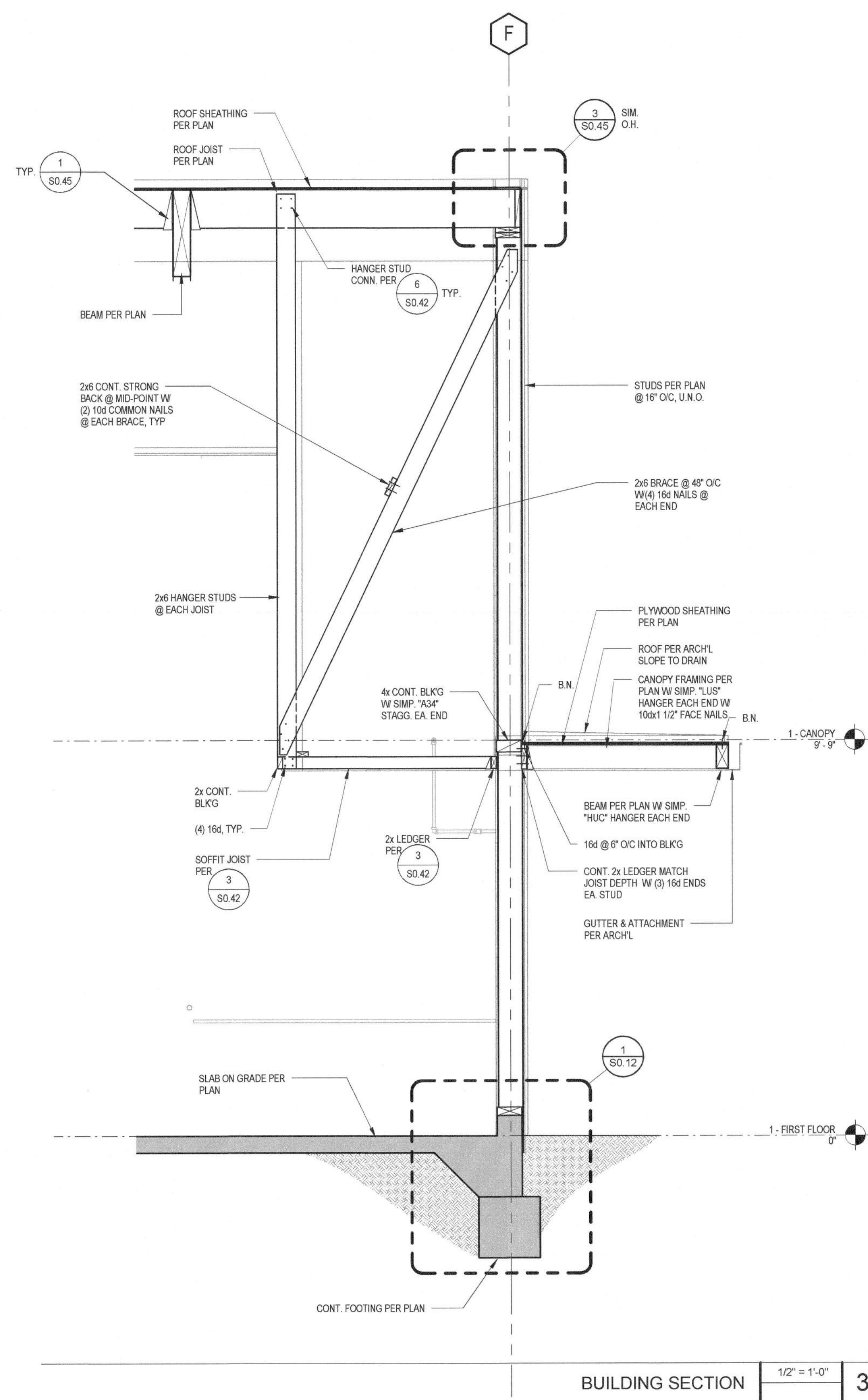
This set of architectural documents and all data contained herein are the property of LPA and shall be used only for the project and location specified on the title page. No part of these documents may be reproduced, stored in a retrieval system, or transmitted in any form or by any means, electronic, mechanical, photocopying, recording, or by any information storage and retrieval system, without the prior written consent of LPA. This set of documents is intended to be used in accordance with the building codes and standards of the jurisdiction in which they are used. LPA does not warrant the accuracy or completeness of these documents and shall not be responsible for any errors or omissions. All dimensions and materials shall be as shown on these drawings unless otherwise noted. All materials and workmanship shall conform to the applicable building codes and standards of the jurisdiction in which they are used. © Copyright 2014

Revision	Date

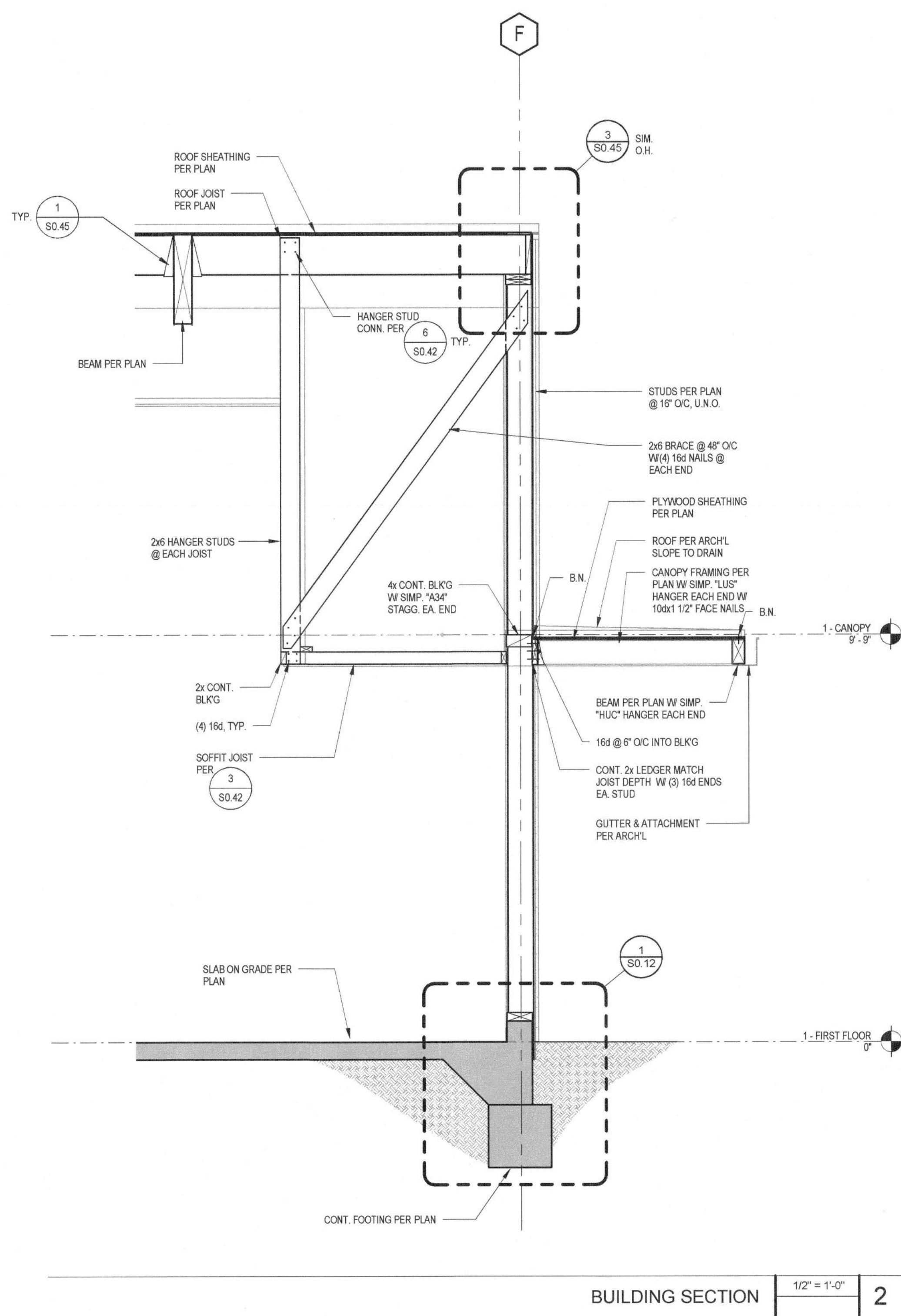
Date	
03/18/16	
05/07/16	
06/15/16	
07/27/16	
08/17/16	
03/09/17	

Submittal	
Schematic Design	
Design Development	
50% Construction Documents	
100% Construction Documents	
DSA Submittal	
DSA Approval	

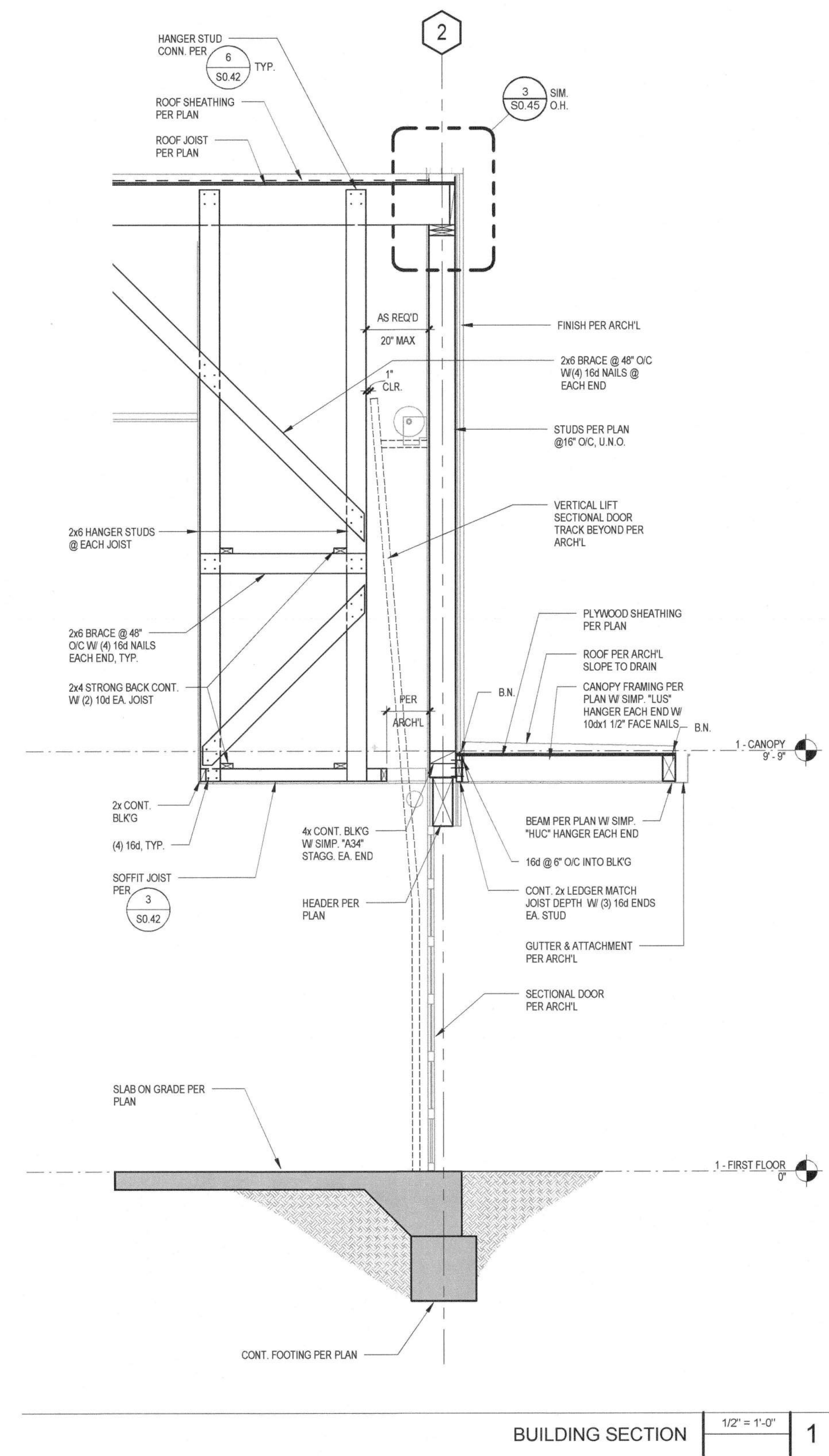
Job No.	1602010
Date	08/12/2016
Checked by	DW
Scale	1/2" = 1'-0"



BUILDING SECTION 1/2" = 1'-0" 3



BUILDING SECTION 1/2" = 1'-0" 2

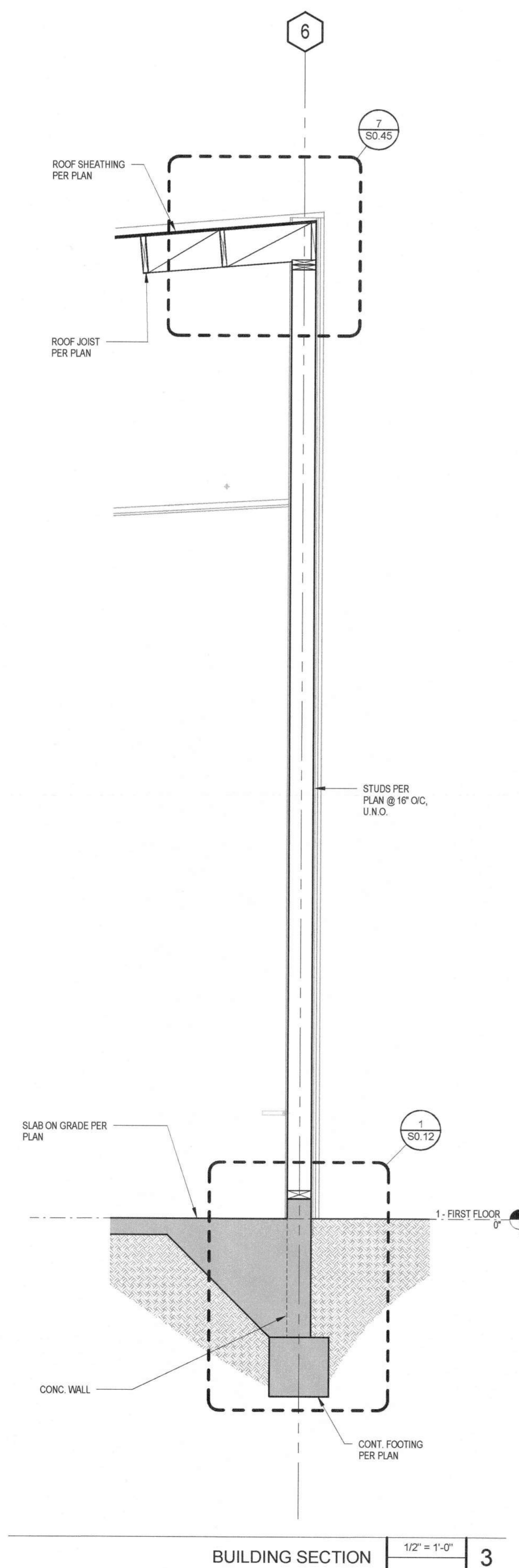


BUILDING SECTION 1/2" = 1'-0" 1

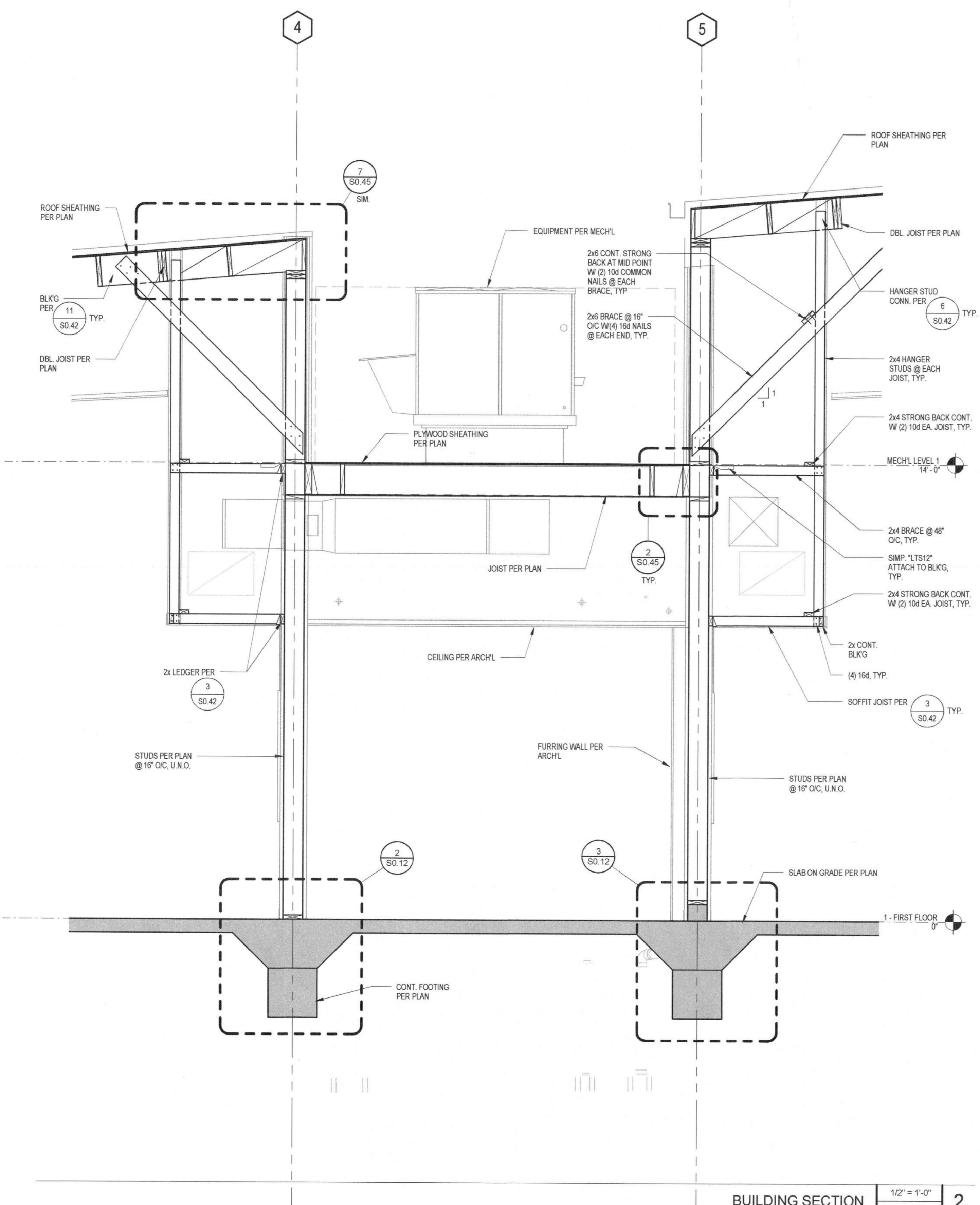
Date	Revision

Submittal	Date
SCHMATIC DESIGN	03/16/16
DESIGN DEVELOPMENT	05/10/16
S0# CONSTRUCTION DOCUMENTS	06/15/16
B0# CONSTRUCTION DOCUMENTS	07/27/16
10# SUBMITTAL	08/12/16
10# APPROVAL	03/28/17

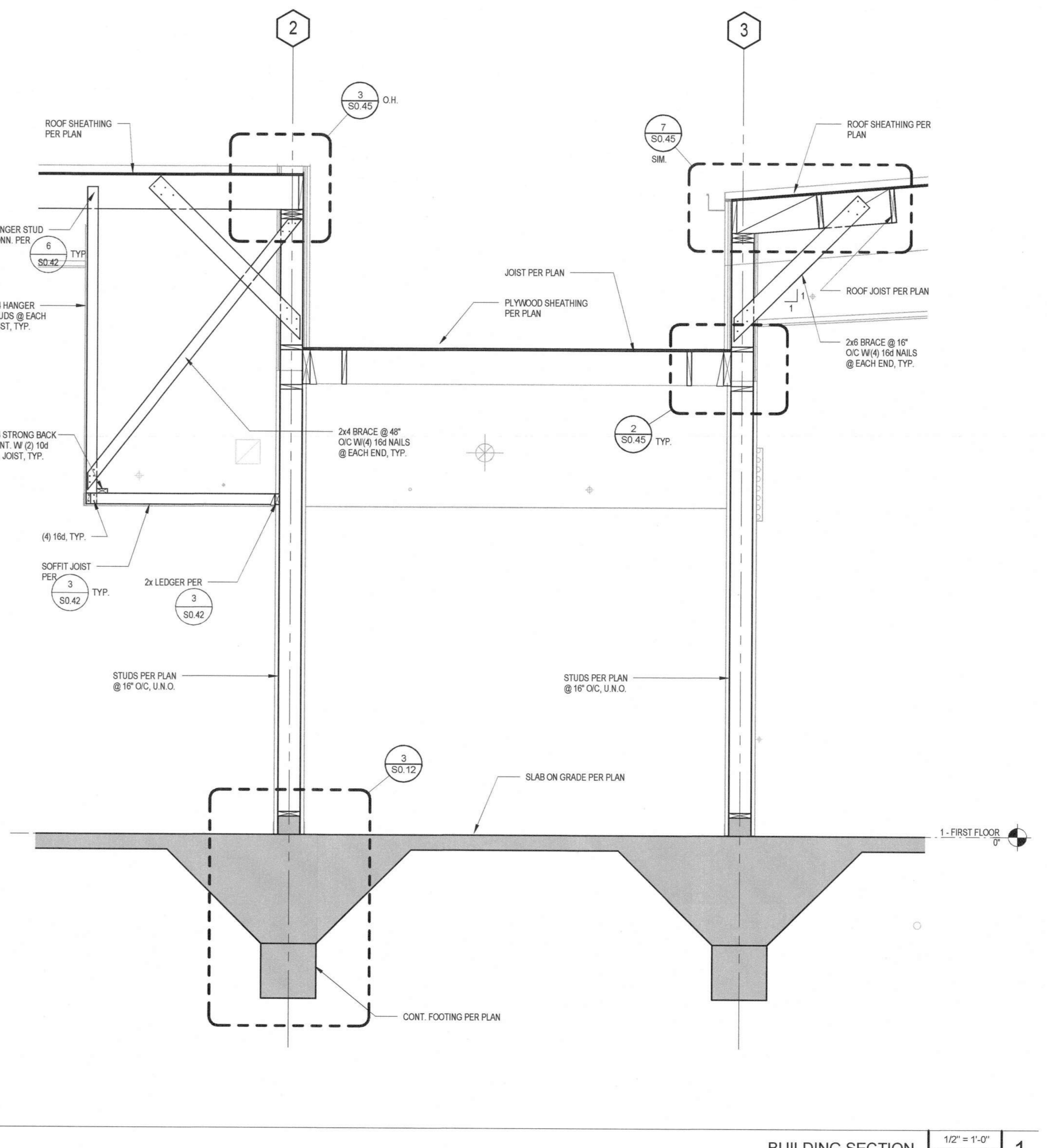
Job No.	1602010
Date	08/12/2016
Checked by	DW
Scale	1/2" = 1'-0"



BUILDING SECTION 1/2" = 1'-0" 3



BUILDING SECTION 1/2" = 1'-0" 2



BUILDING SECTION 1/2" = 1'-0" 1



IDENTIFICATION STAMP  
 DIVISION OF THE STATE ARCHITECT  
 OFFICE OF REGULATION SERVICE  
 APPL. #: 01-116180  
 DATE: 3.21.17  
 FILE NUMBER: 43-H10

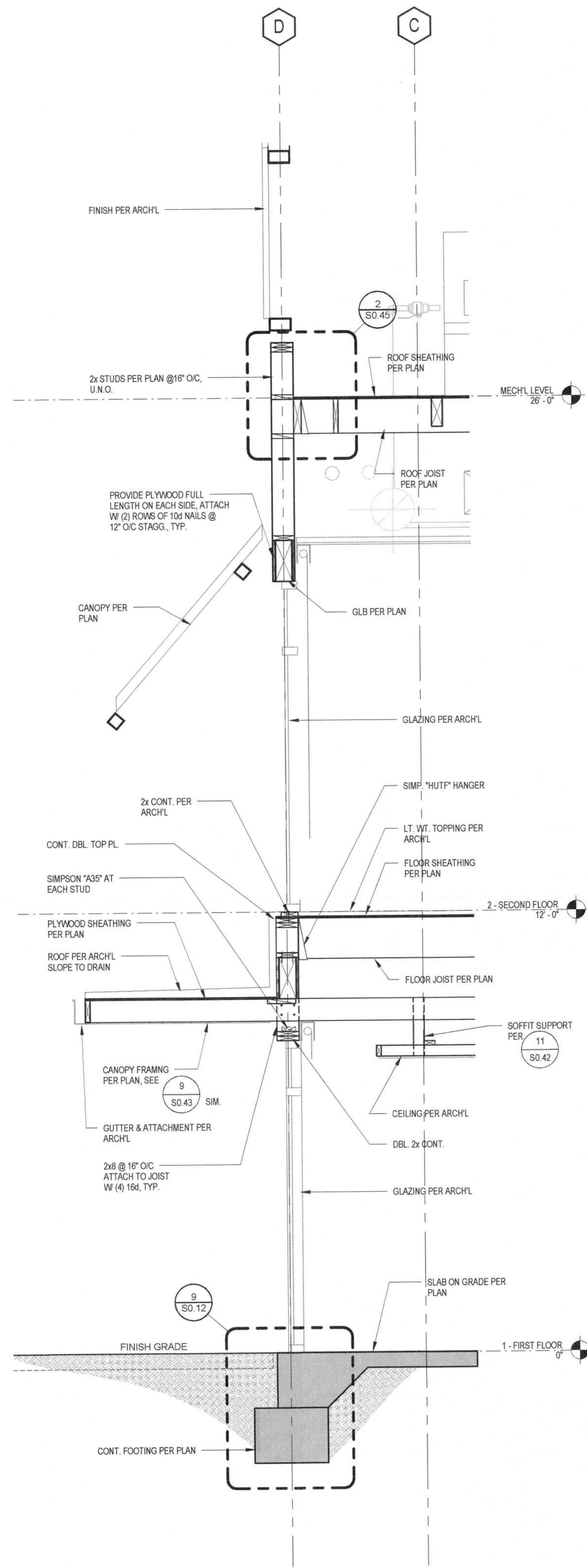
BUILDING D SCIENCE AND CLASSROOM BUILDINGS, PIEDMONT HILLS HIGH SCHOOL  
 1377 PIEDMONT RD  
 SAN JOSE, CA 95132  
 Developed for  
 EAST SIDE UNION HIGH SCHOOL DISTRICT

This set of drawings is to be used in accordance with the terms and conditions of the contract between the client and the architect. The architect is not responsible for the construction of the building or for the safety of the building. The architect is not responsible for the accuracy of the information provided by the client. The architect is not responsible for the accuracy of the information provided by the client.

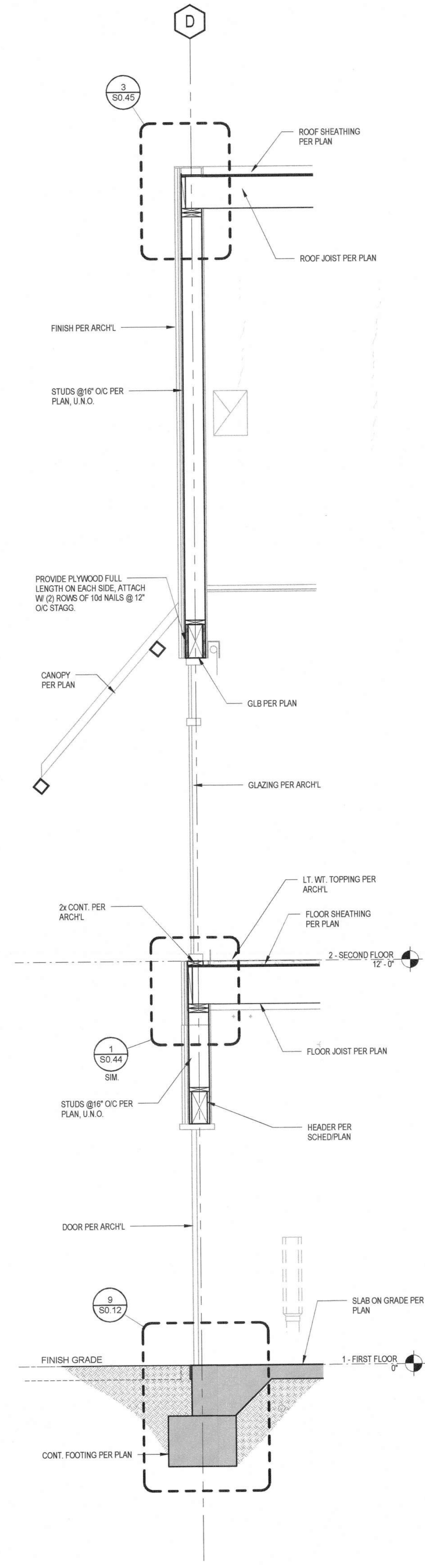
Date	Revision
03/16/16	
05/10/16	
06/15/16	
07/27/16	
08/17/16	
03/08/17	

Job No. 1802010  
 Date 08/12/2016  
 Checked by DW  
 Scale 1/2" = 1'-0"

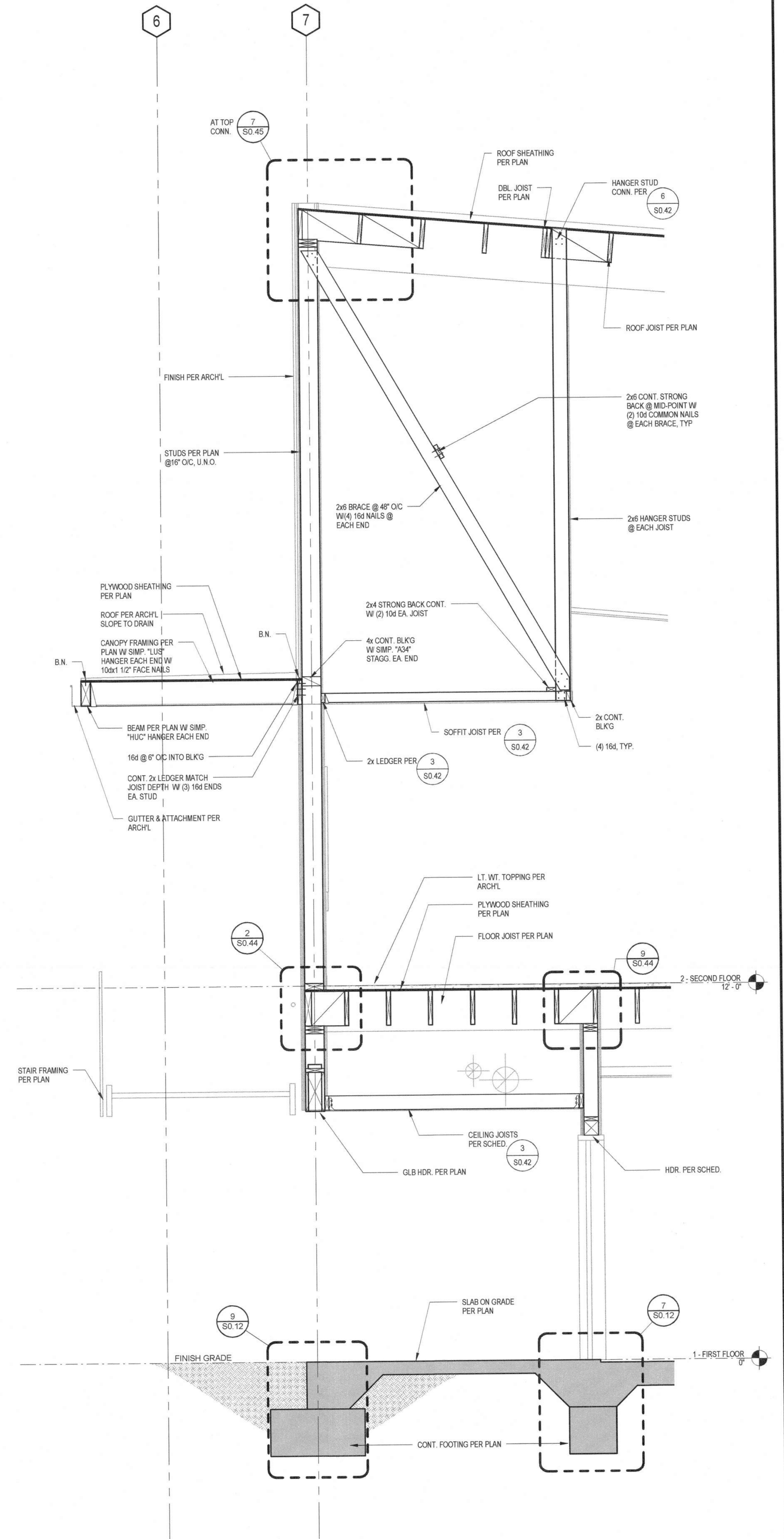
BUILDING WALL SECTIONS



BUILDING SECTION  $1/2" = 1'-0"$  3



BUILDING SECTION  $1/2" = 1'-0"$  2



BUILDING SECTION  $1/2" = 1'-0"$  1



IDENTIFICATION STAMP  
DIVISION OF THE STATE ARCHITECT  
OFFICE OF REGULATION SERVICE  
APPL. # 01-116180  
AC: TFS SS: H  
DATE: 3.21.17  
FILE NUMBER: 43-H10

**BUILDING D SCIENCE AND CLASSROOM BUILDINGS, PIEDMONT HILLS HIGH SCHOOL**  
1377 PIEDMONT RD  
SAN JOSE, CA 95132

Developed for  
EAST SIDE UNION HIGH SCHOOL DISTRICT

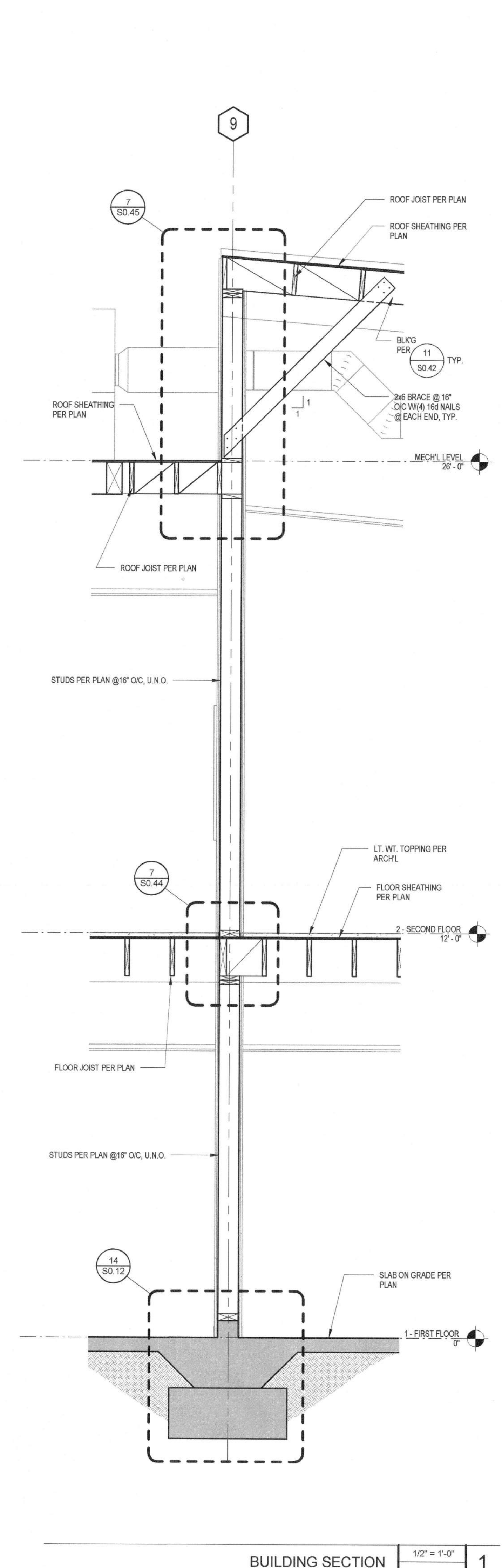
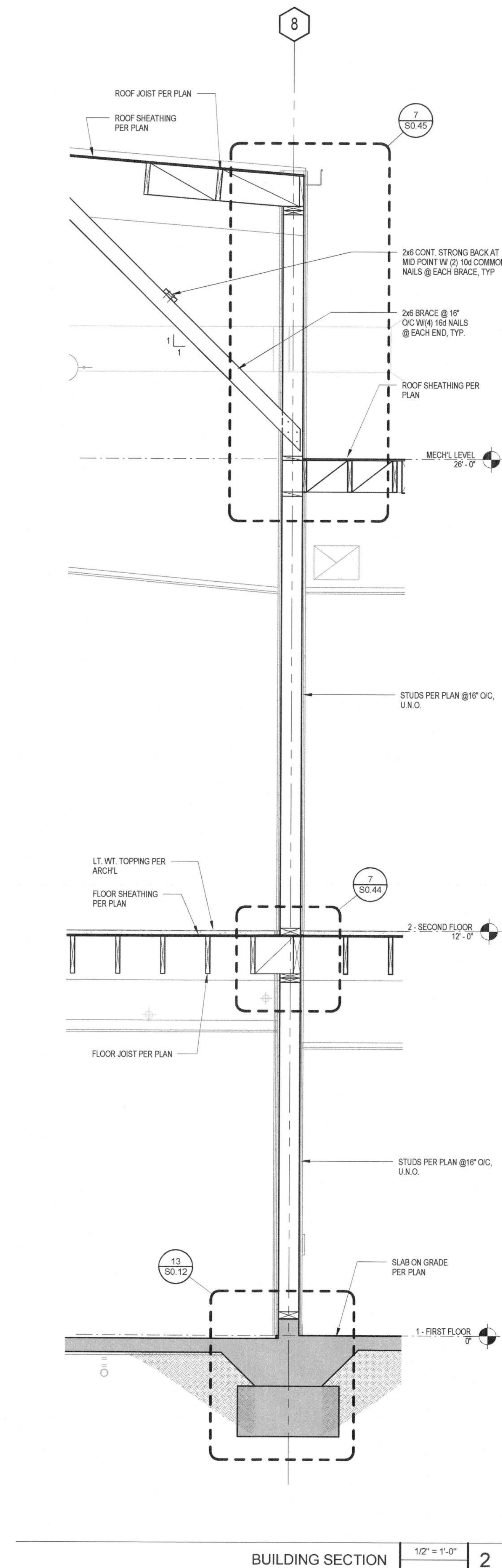
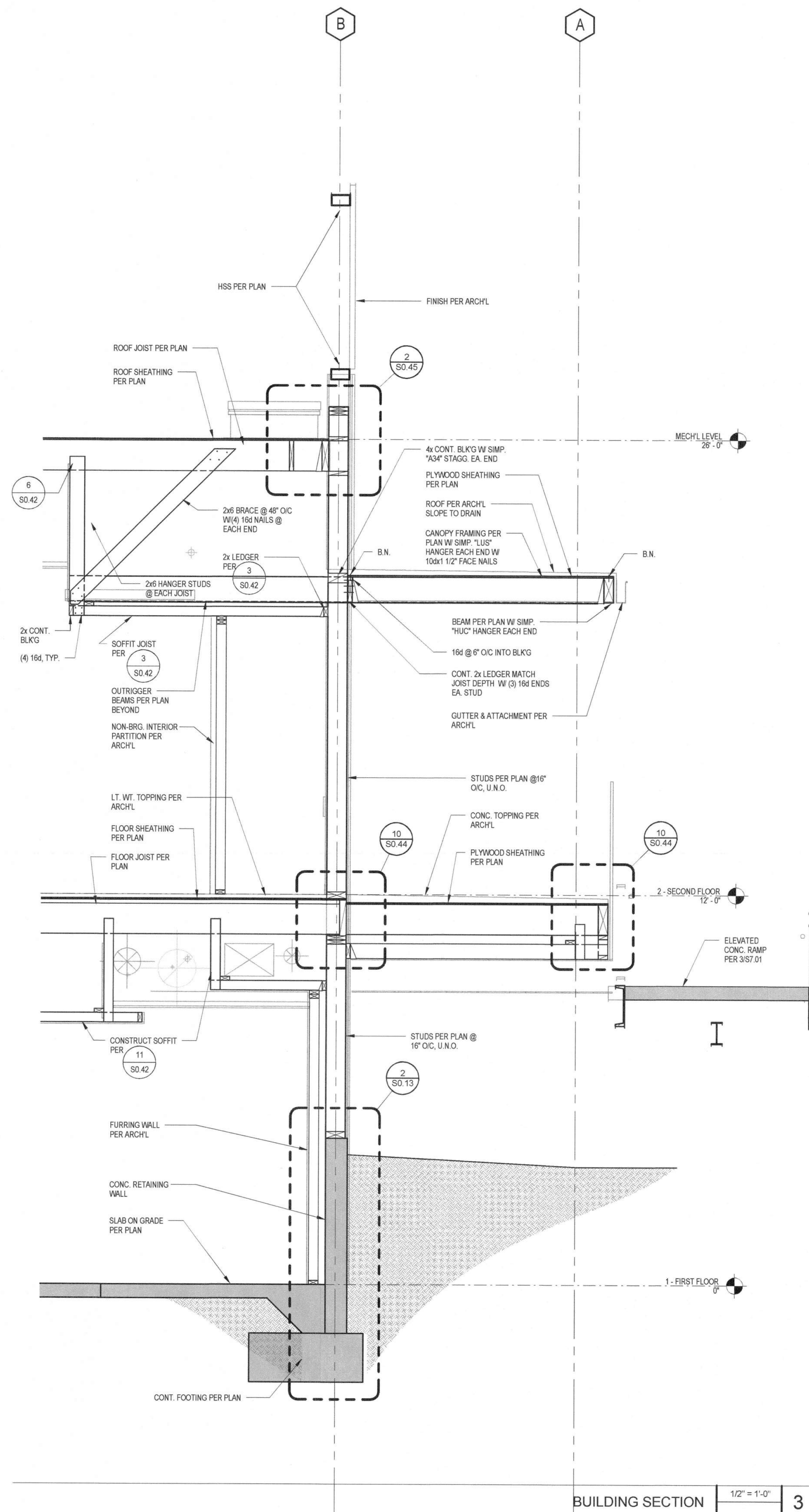
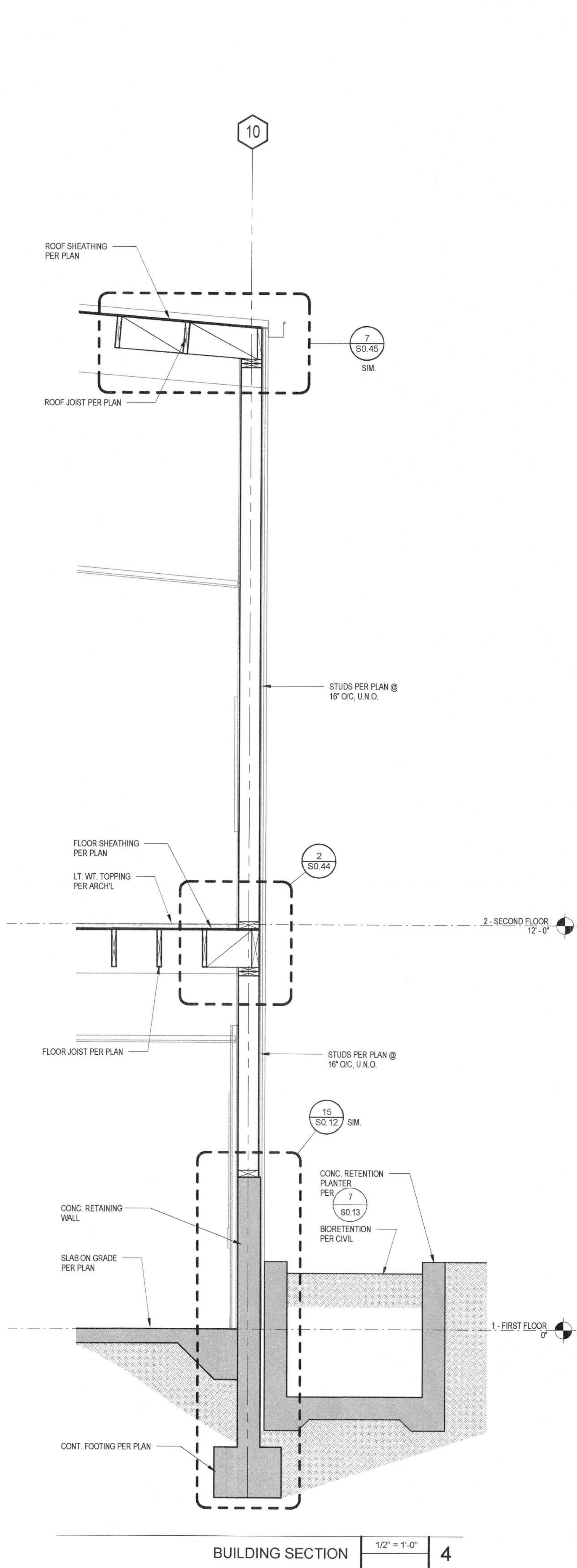
This set of architectural drawings and all other information contained herein are the property of LPA and shall remain the property of LPA. No part of these drawings shall be reproduced or transmitted in any form or by any means, electronic or mechanical, including photocopying, recording, or by any information storage and retrieval system, without the prior written consent of LPA. The user of these drawings shall be responsible for obtaining all necessary permits and approvals. LPA shall not be held responsible for any errors or omissions in these drawings. LPA shall not be held responsible for any damage or injury resulting from the use of these drawings. LPA shall not be held responsible for any delay or interruption of work resulting from the use of these drawings. LPA shall not be held responsible for any cost or expense resulting from the use of these drawings. LPA shall not be held responsible for any liability resulting from the use of these drawings. LPA shall not be held responsible for any other matter not specifically mentioned in these drawings. LPA shall not be held responsible for any other matter not specifically mentioned in these drawings. LPA shall not be held responsible for any other matter not specifically mentioned in these drawings.

Date	Revision

Submittal	Date
SCHEMATIC DESIGN	03/16/16
DESIGN DEVELOPMENT	05/20/16
S&P CONSTRUCTION DOCUMENTS	06/25/16
B&S CONSTRUCTION DOCUMENTS	07/27/16
DEA SUBMITTAL	06/22/16
DEA APPROVAL	03/09/17

Job No. 1802010  
Date 08/12/2016  
Checked by DW  
Scale 1/2" = 1'-0"

BUILDING WALL SECTIONS



IDENTIFICATION STAMP  
 DIVISION OF THE STATE ARCHITECT  
 OFFICE OF REGULATION SERVICE  
 APPL. #: 01-116180  
 AC: PLS SS LH  
 DATE: 3-24-17  
 FILE NUMBER: 43-H10

BUILDING D SCIENCE AND CLASSROOM BUILDINGS, PIEDMONT HILLS HIGH SCHOOL  
 1377 PIEDMONT RD  
 SAN JOSE, CA 95132  
 Developed for EAST SIDE UNION HIGH SCHOOL DISTRICT

The LPA shall retain the copyright in all drawings and documents created by LPA for the project. LPA shall retain the right to use the drawings and documents for the project in any medium and for any purpose. LPA shall not be responsible for any errors or omissions in the drawings and documents. LPA shall not be responsible for any damage to property or injury to persons resulting from the use of the drawings and documents. LPA shall not be responsible for any delay in the project caused by the drawings and documents. LPA shall not be responsible for any cost of the project caused by the drawings and documents. LPA shall not be responsible for any liability of the project caused by the drawings and documents. LPA shall not be responsible for any other matter not specifically mentioned in this agreement.

Revision	Date	Description
1	03/18/16	SCHEMATIC DESIGN
2	05/10/16	DESIGN DEVELOPMENT
3	06/15/16	50% CONSTRUCTION DOCUMENTS
4	07/27/16	80% CONSTRUCTION DOCUMENTS
5	08/12/16	DSA SUBMITTAL
6	08/12/16	DSA APPROVAL
7	03/08/17	

Job No: 1602010  
 Date: 08/12/2016  
 Checked by: DW  
 Scale: 1/2" = 1'-0"

BUILDING WALL SECTIONS

FLOOR CONSTRUCTION SCHEDULE									
MARK	METAL DECKING	TOTAL SLAB "T"	SLAB DESCRIPTION	WELDED SHEAR STUDS Ø, LENGTH & SPACING, REFER TO S0.01 FOR ADD'L INFO	METAL DECKING WELDING OR FASTENING		SEAMS	DECKING SECTION PROPERTIES	
					ARC SPOT (PUDDLE) WELDS U.A.O. - SEE NOTE 3			MOMENT OF INERTIA "I" (IN 4FT.)	SECTION MODULUS "S" (IN 3FT.)
					PERPENDICULAR TO SUPPORTS	PARALLEL TO SUPPORTS			
FD1	2" VERCO W2 x 20 GAUGE FORMLOK DECK	4 1/2"	2 1/2" NORMAL WEIGHT CONCRETE W/6x6-W3.5x3.5 W.W.F.	3/4"Øx31/2" @ 24" O/C	(4) PER 36" SHEET (3 PER 24" SHEET)	SPACE @ 12" /C	BUTTON PUNCH @ 24" O/C	0.896	0.534

WELDED WIRE FABRIC (W.W.F.)  
DAYTON SUPERIOR CHC CONTINUOUS CHAIRS @ 24" O/C MAX.  
2" AT W2 DECKING  
FD1

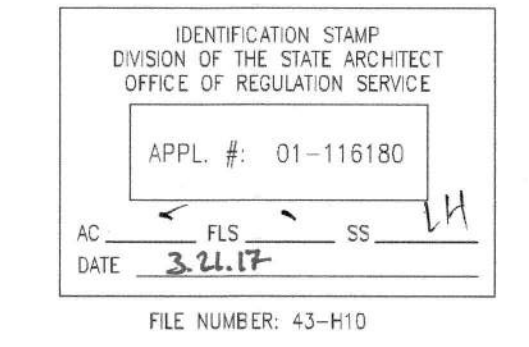
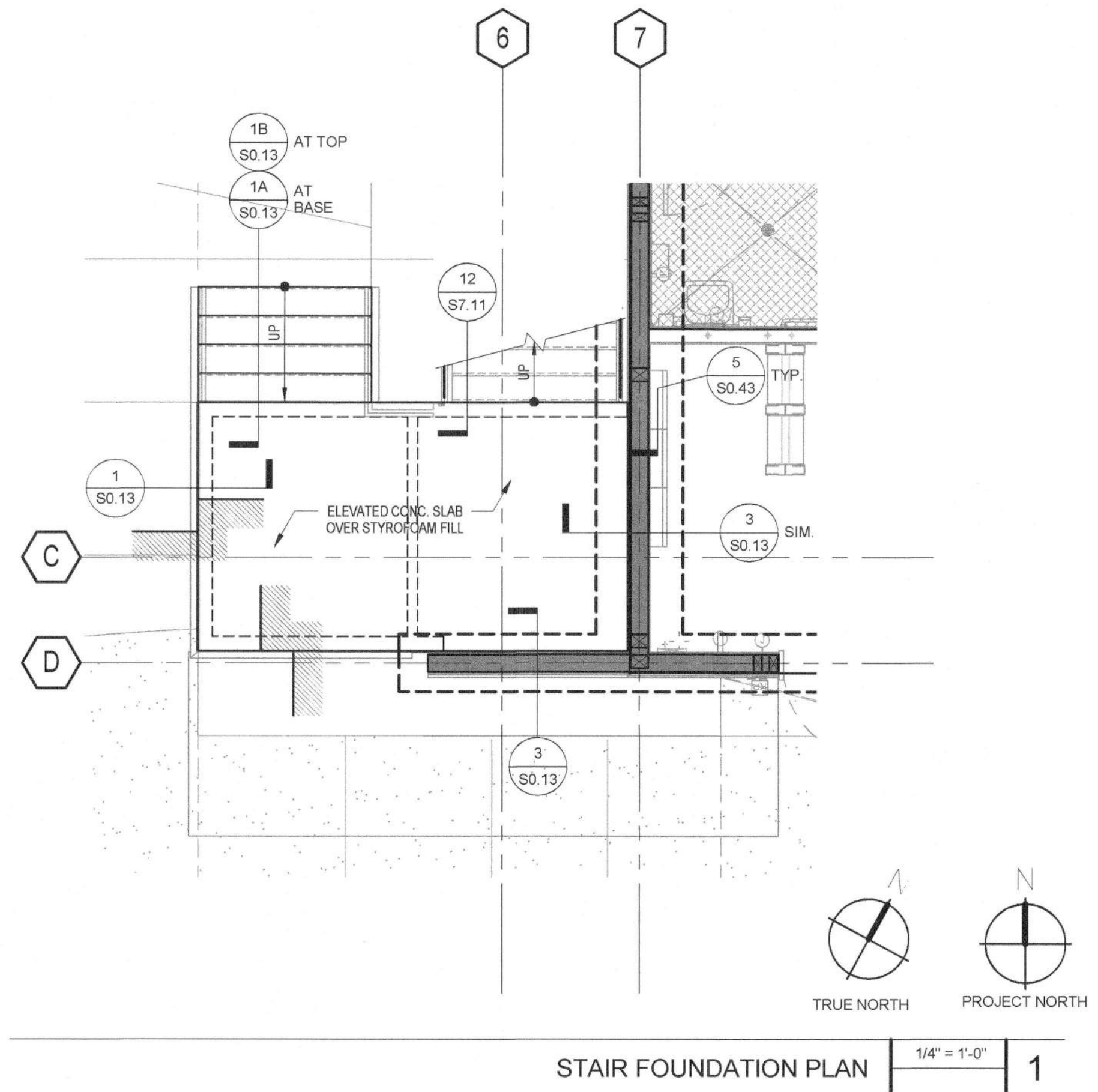
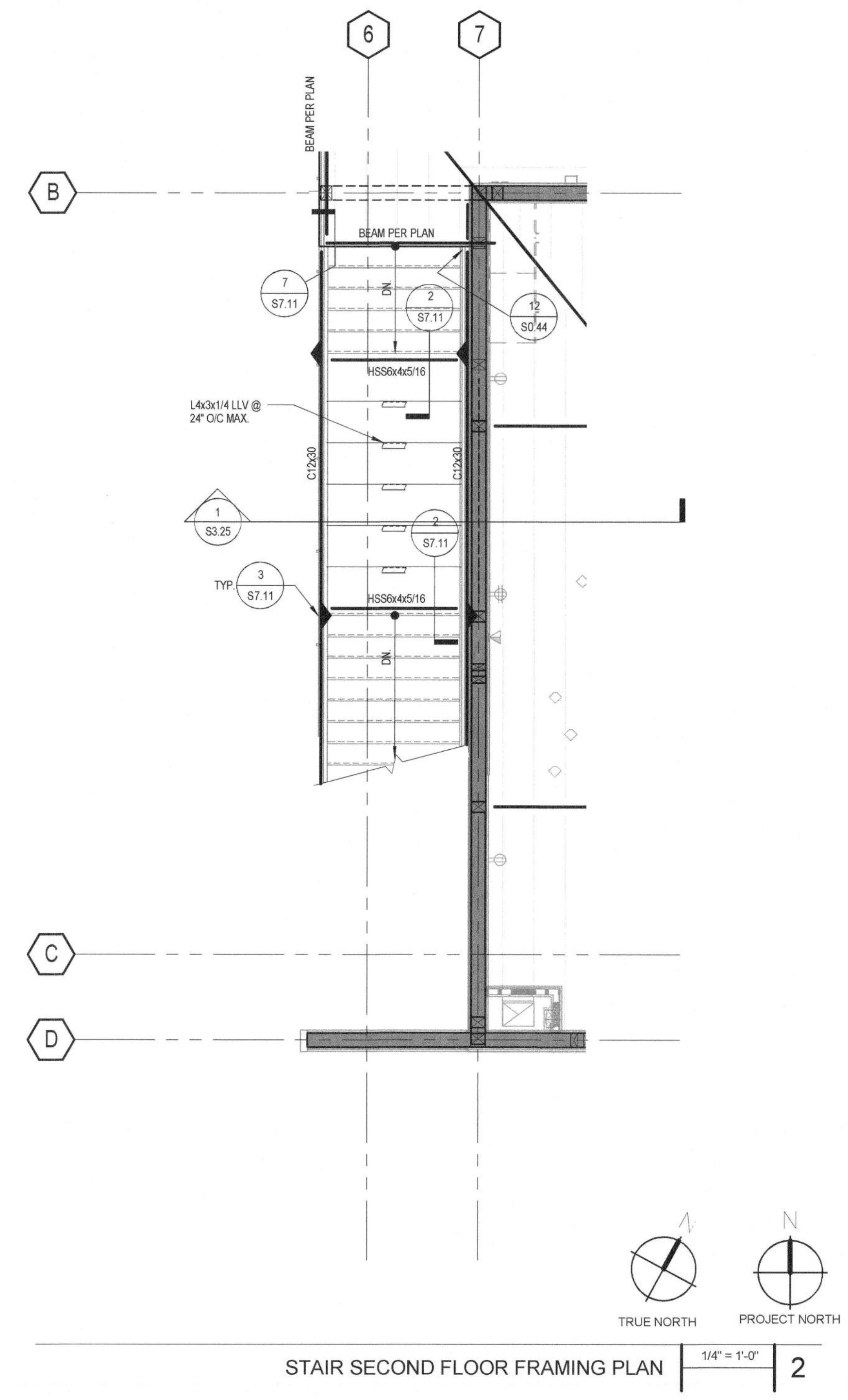
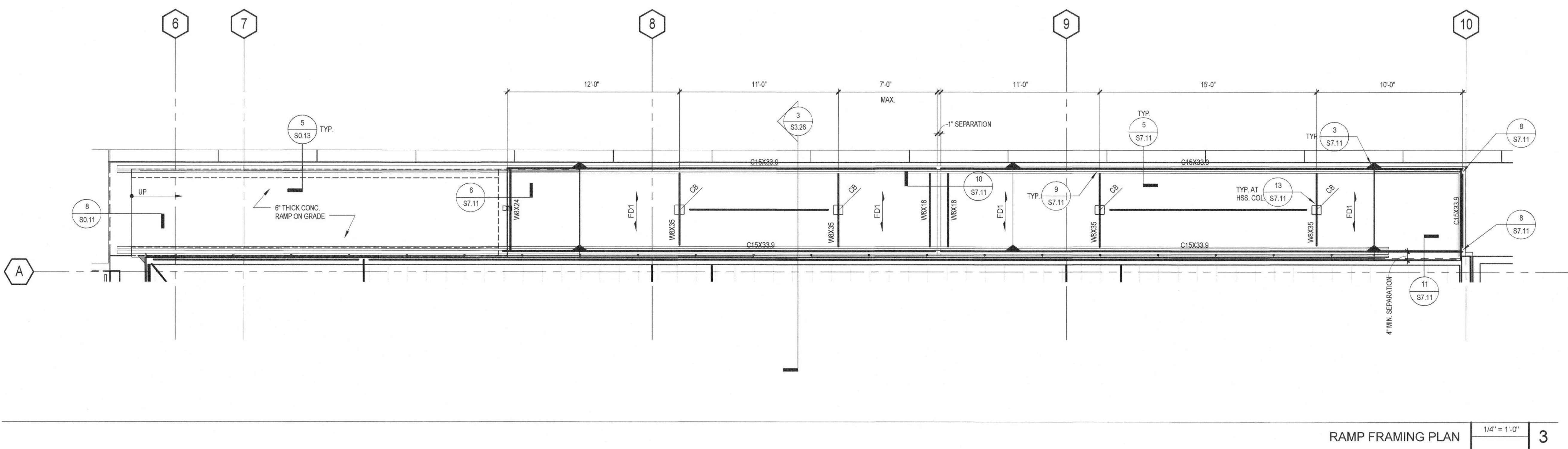
FLOOR OR ROOF CONSTRUCTION MARK  
RDX OR FDX  
XX GA.  
GAWSE OR METAL DECKING IF OTHER THAN SCHEDULED  
EXAMPLE PLAN REFERENCE

**NOTES:**

- PROVIDE VERCO METAL DECKING and ACCESSORIES IN CONFORMANCE WITH REQUIREMENTS SET IN GENERAL NOTES "METAL DECKING" SECTION. NO DUCTS, ELECTRICAL OR OTHERWISE, SHALL OCCUR IN FILL UNLESS NOTED OTHERWISE.
- ARC SPOT (PUDDLE) WELDS SHALL HAVE AN EFFECTIVE FUSION AREA TO SUPPORTING MEMBER AT LEAST 1/2-INCH IN DIAMETER.

### STAIR FRAMING PLAN NOTES

- FOR GENERAL NOTES and TYPICAL DETAILS SEE S1 SERIES SHEETS.
- SEE ARCHITECTURAL FOR STEEL STAIRS GEOMETRY.
- CONSTRUCT TREAD/RISERS PER ARCHITECTURAL and DETAIL 1/ST.11.
- ADD FIBER TO CONCRETE AT TREAD and INTERMEDIATE LANDING CONCRETE POURS PER NOTE 5 SECTION "G" ON S0.01.
- MITER STRINGERS AT CORNERS and CHANGES IN PLANE and PROVIDE COMPLETE PENETRATION GROOVE WELDS ALL AROUND WITH ALL WELD SURFACES GROUND SMOOTH.
- SEE ARCHITECTURAL FOR GUARDRAIL CONSTRUCTION.
- STAIR DESIGN AS SHOWN ASSUMES STAIR STRINGER CONNECTIONS TO ELEVATED STEEL BEAMS AT FLOOR and ROOF WILL BE MADE PRIOR TO CASTING OF CONCRETE FLOOR DECKS and ROOF DECKS (WHERE OCCUR). IF ACTUAL PROCEDURE OF CONSTRUCTION, AS DETERMINED BY GENERAL CONTRACTOR, IS TO ERECT STAIRS AFTER CASTING OF FLOOR and ROOF DECK CONCRETE, GENERAL CONTRACTOR SHALL SUBMIT ALTERNATE STRINGER TO BEAM CONNECTIONS FOR REVIEW BY ARCHITECT (STRUCTURAL ENGINEER) PRIOR TO FABRICATION.
- MAINTAIN 1/2" CLEAR BETWEEN FACE OF WALL FINISH and OUTSIDE EDGE OF PERIMETER STRINGERS.



**BUILDING D SCIENCE AND CLASSROOM BUILDINGS, PIEDMONT HILLS HIGH SCHOOL**  
 1377 PIEDMONT RD  
 SAN JOSE, CA 95132

Developed for  
 EAST SIDE UNION HIGH SCHOOL DISTRICT

These drawings are prepared by the architect and are not to be used for construction without the approval of the architect. The architect is not responsible for the accuracy of the information provided by others. The architect is not responsible for the accuracy of the information provided by others. The architect is not responsible for the accuracy of the information provided by others.

Revision	Date	Description

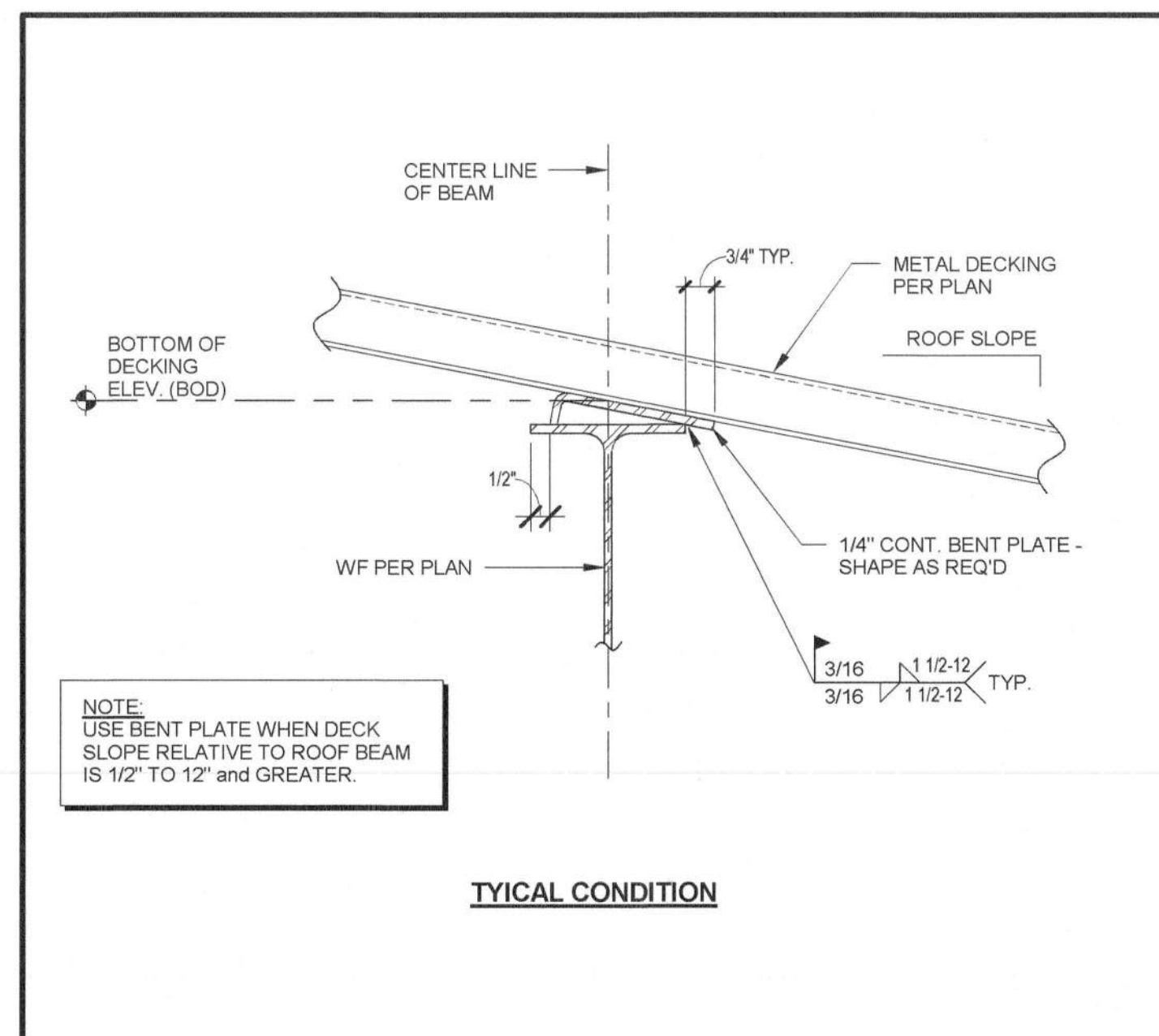
Submittal	Date	
SCH/EM/ATC DESIGN	03/18/16	
DESIGN DEVELOPMENT	05/10/16	
50% CONSTRUCTION DOCUMENTS	06/15/16	
BASE CONSTRUCTION DOCUMENTS	07/27/16	
USA SUBMITTAL	08/12/16	
USA APPROVAL	03/09/17	

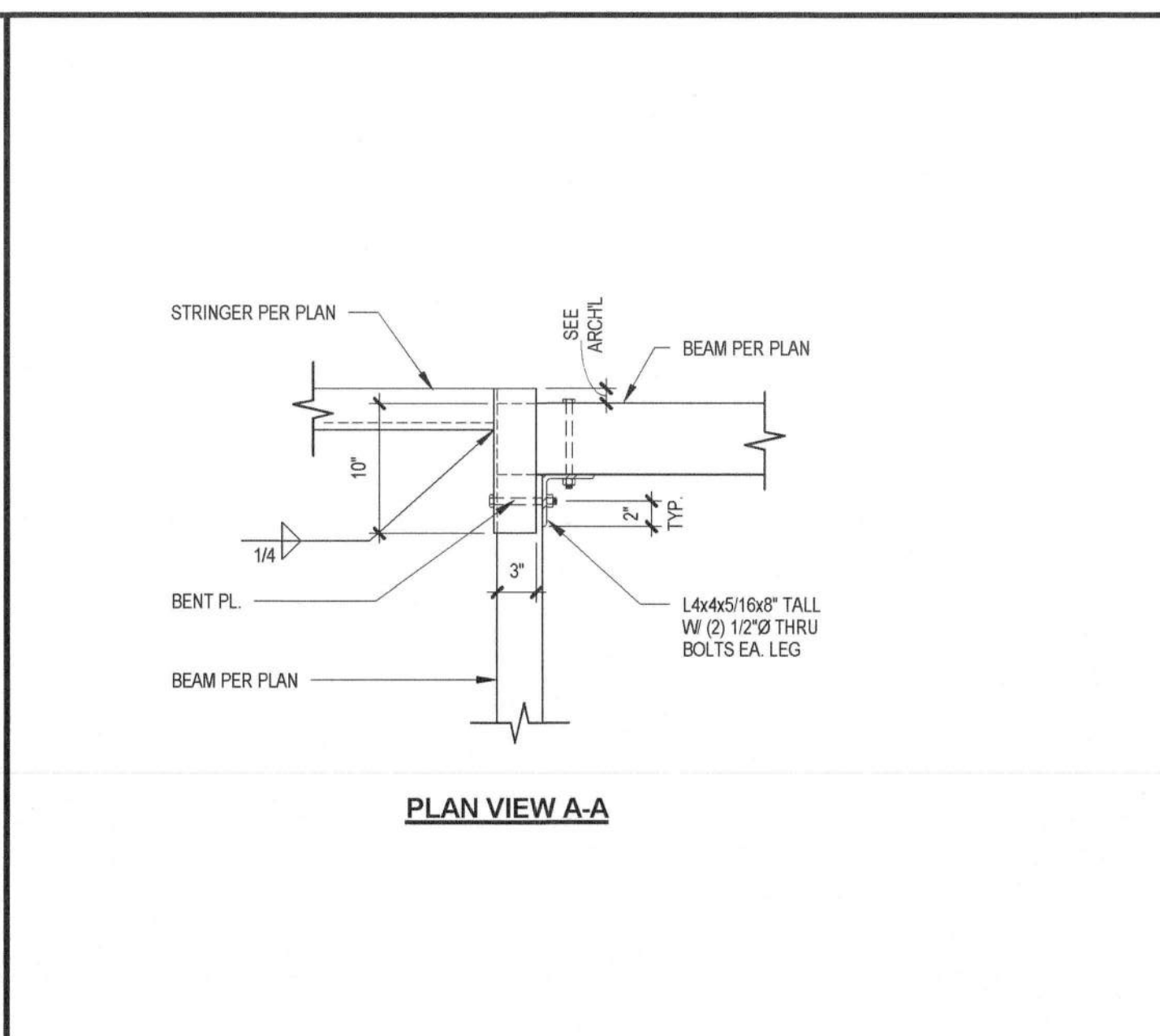
Job No.	1802010
Date	08/12/2016
Checked by	DW
Scale	As indicated

**STAIR FRAMING & RAMP PLANS**

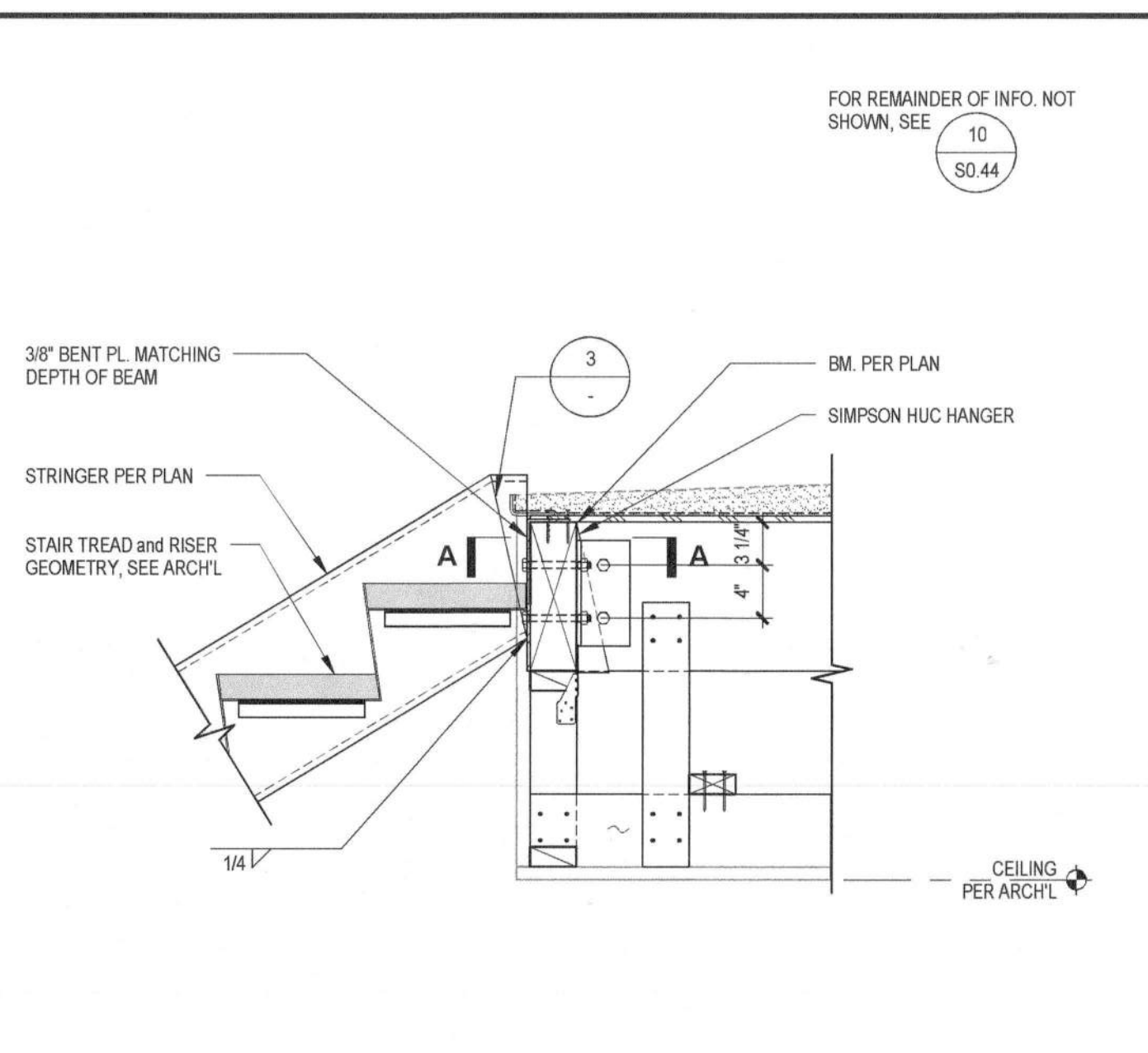
S7.01



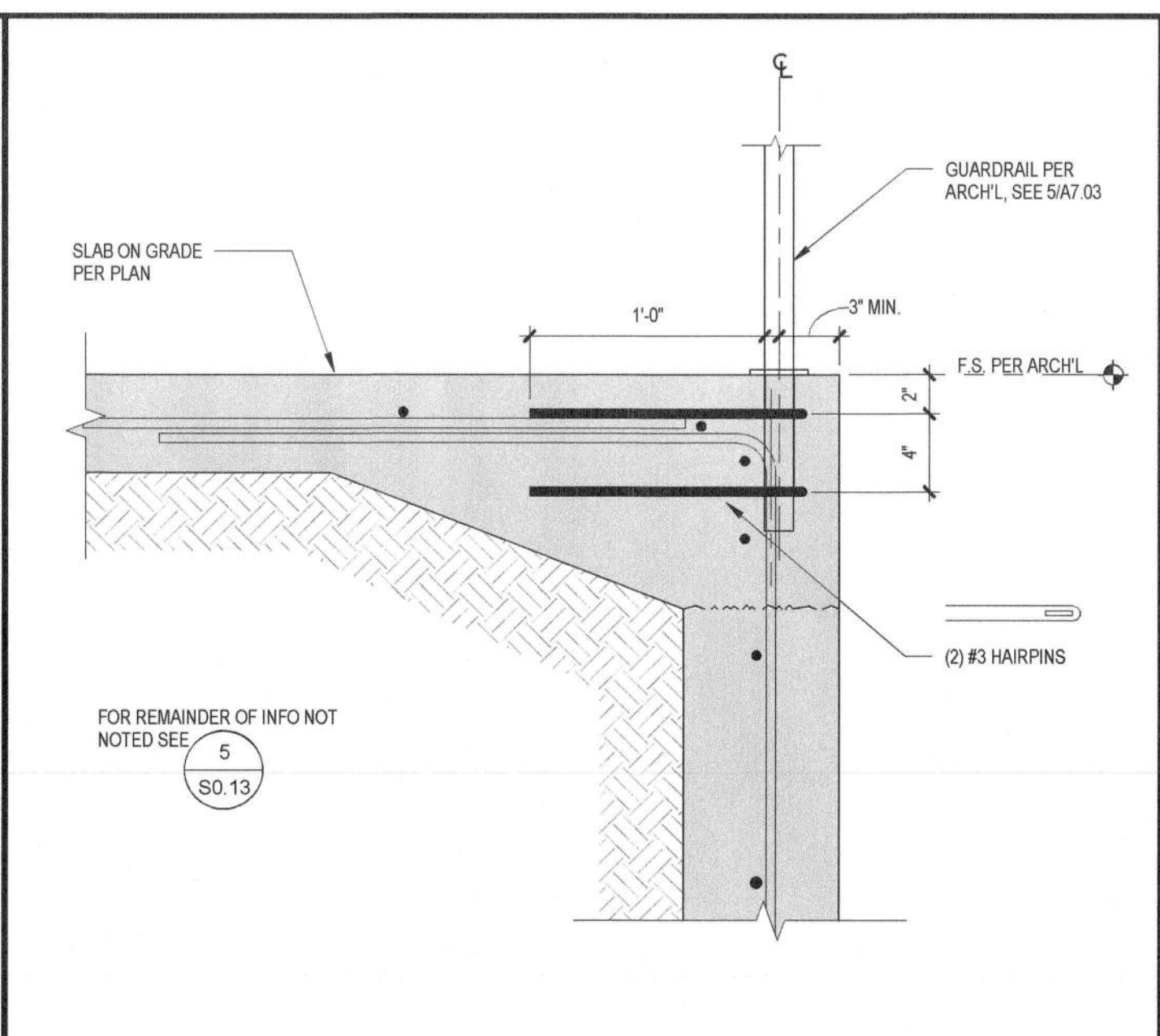
TYPICAL CONDITION



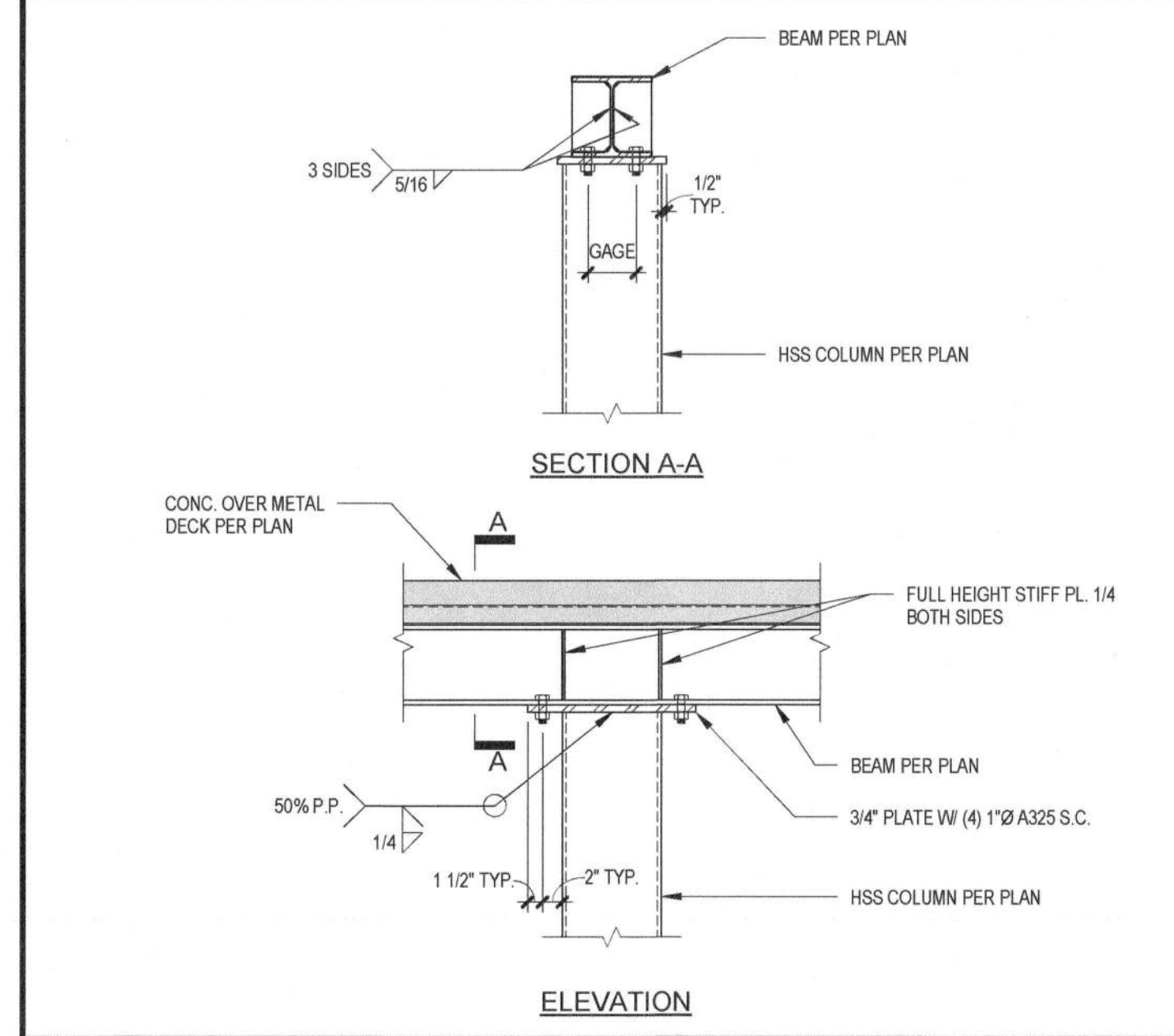
PLAN VIEW A-A



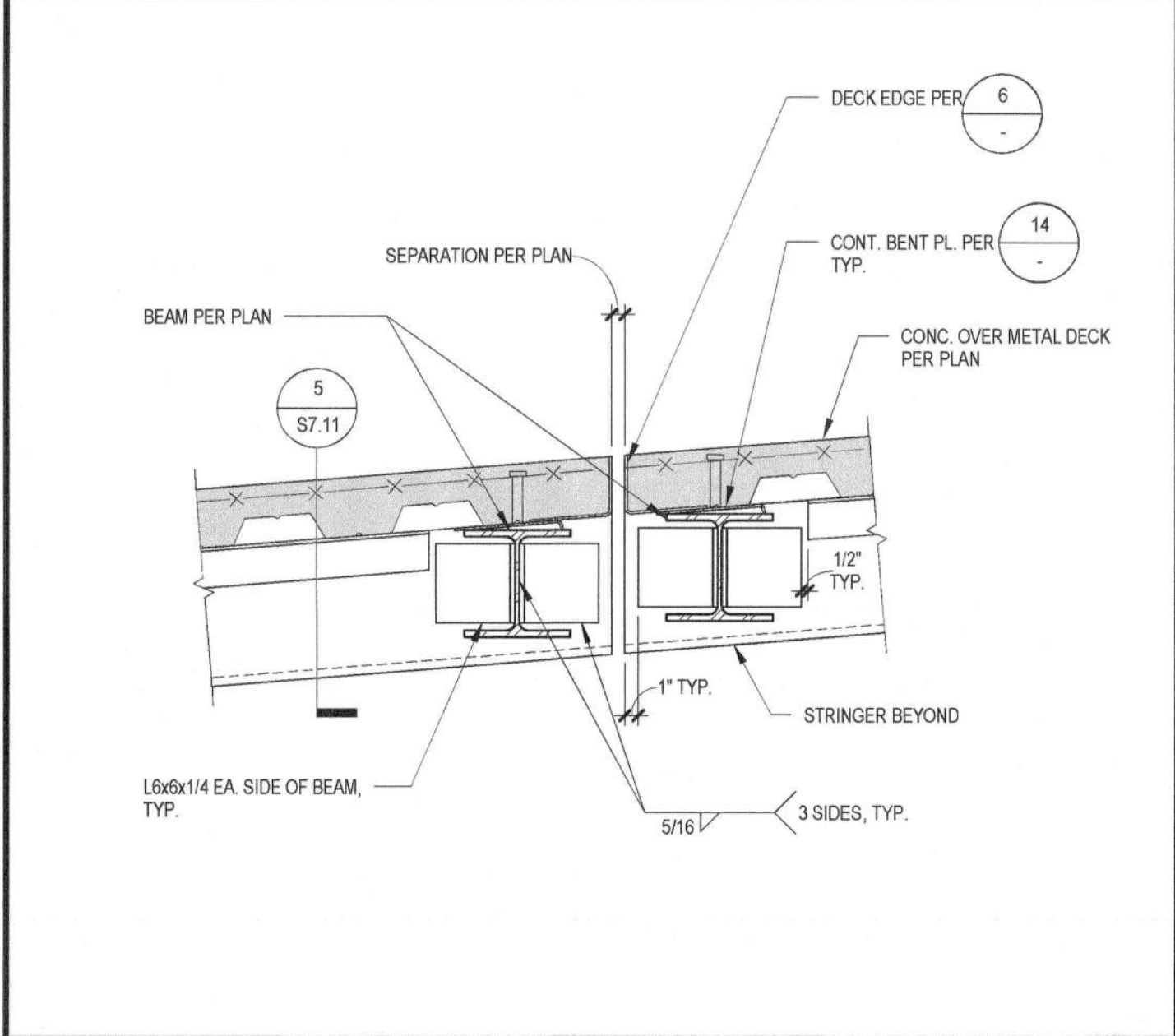
STRINGER TO BEAM CONN. 7



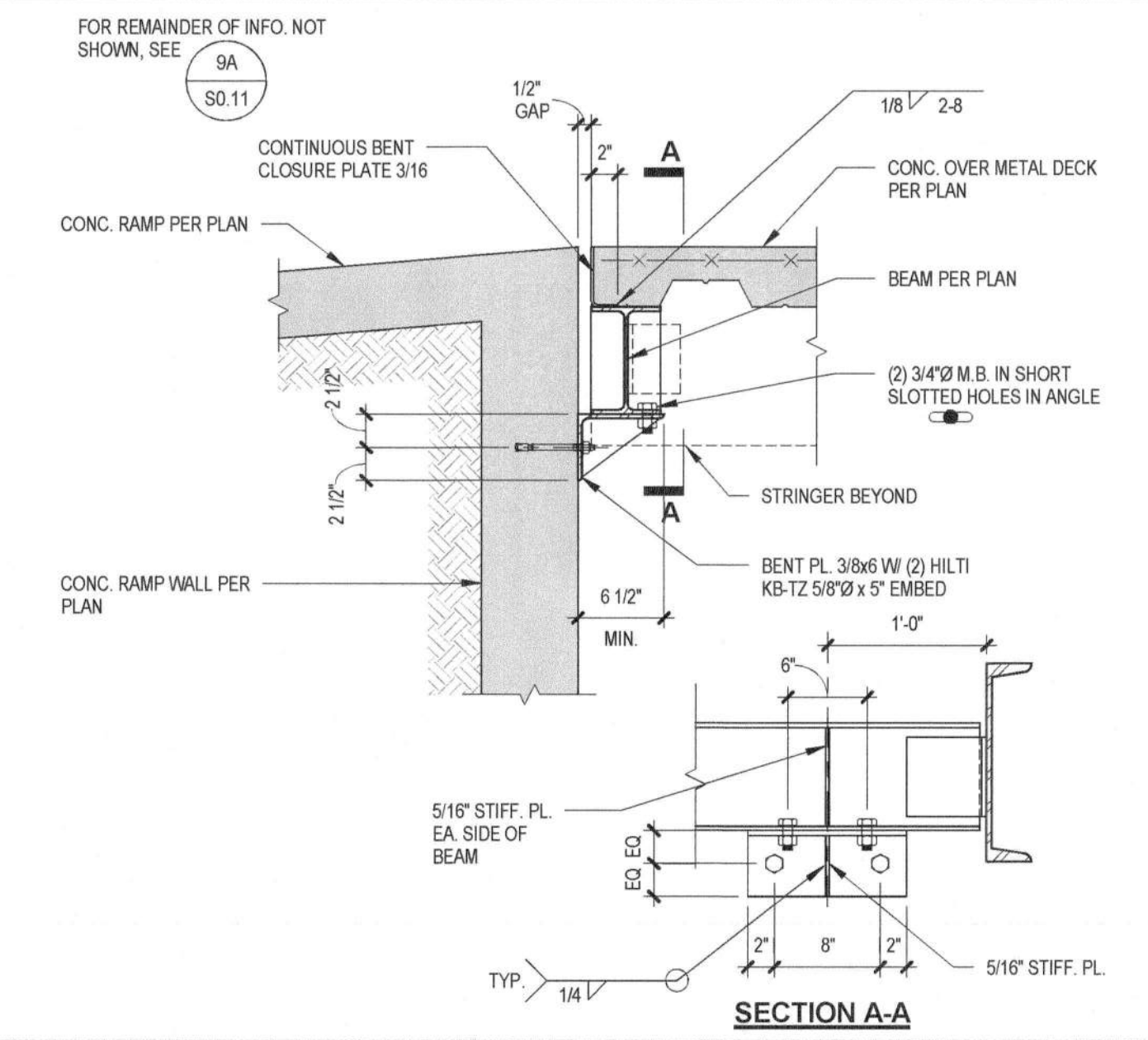
GUARDRAIL TO RAMP WALL 4



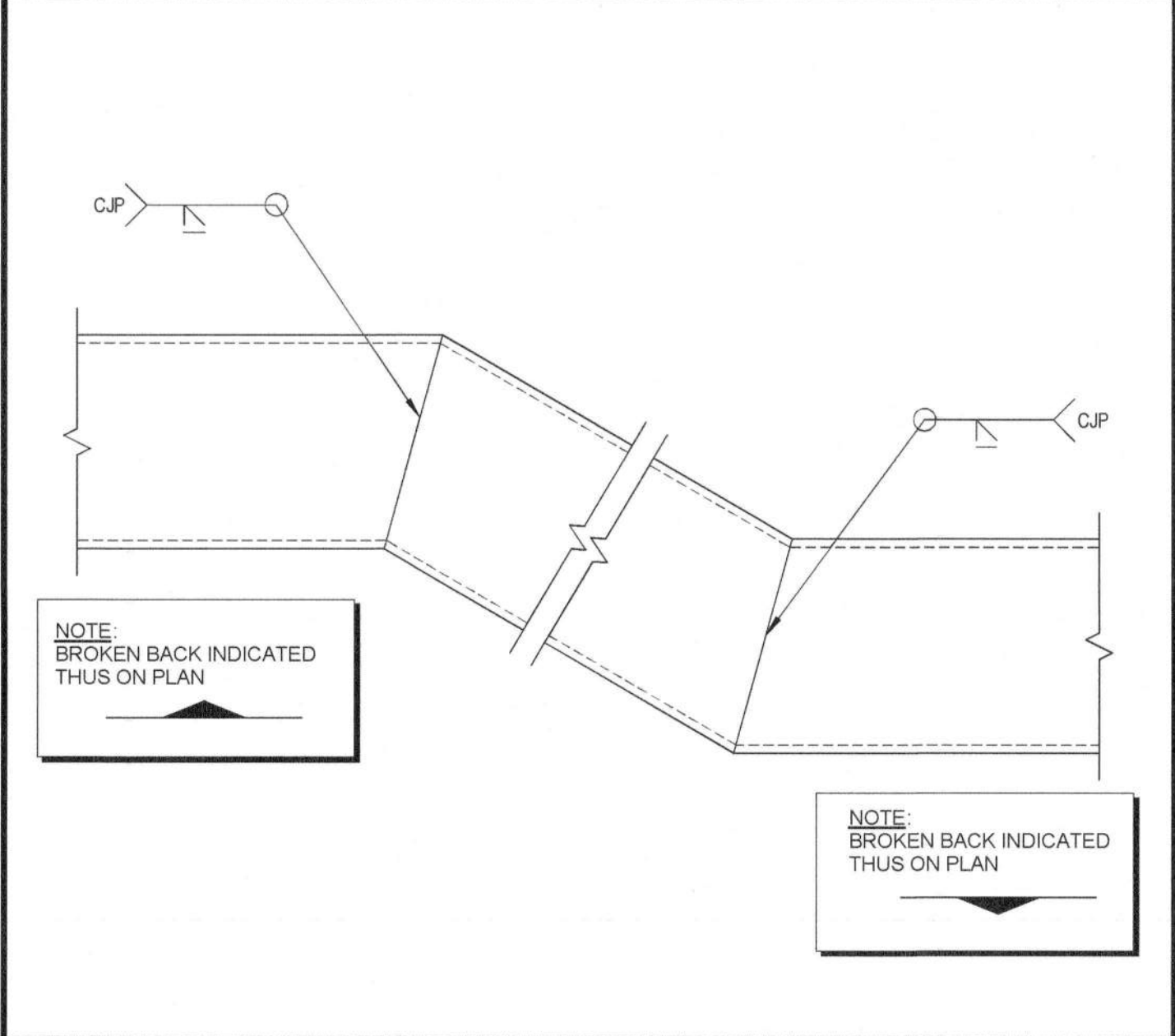
HSS COLUMN TO WIDE FLANGE DETAIL 13



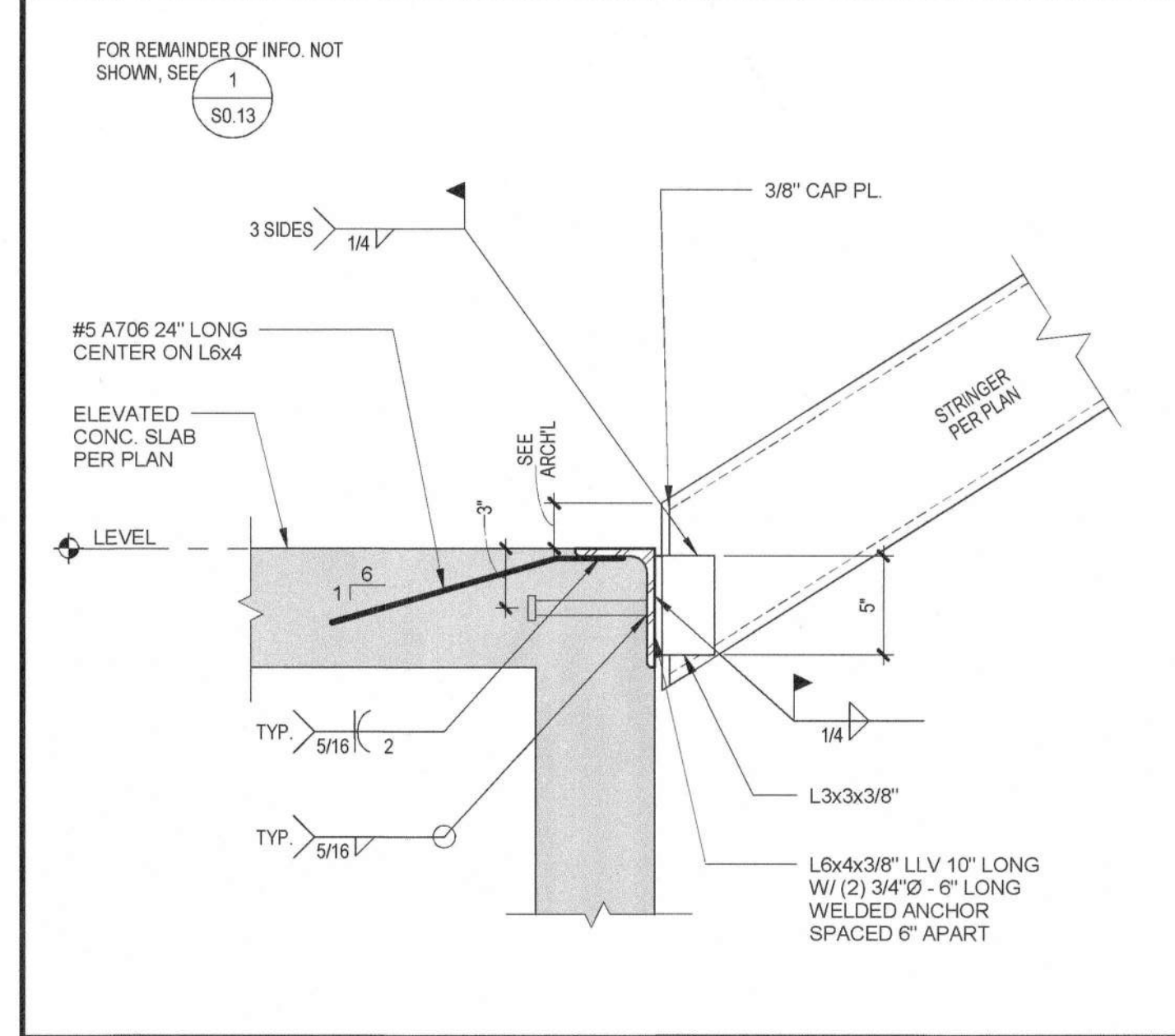
SECTION AT RAMP SEPARATION JOINT 10



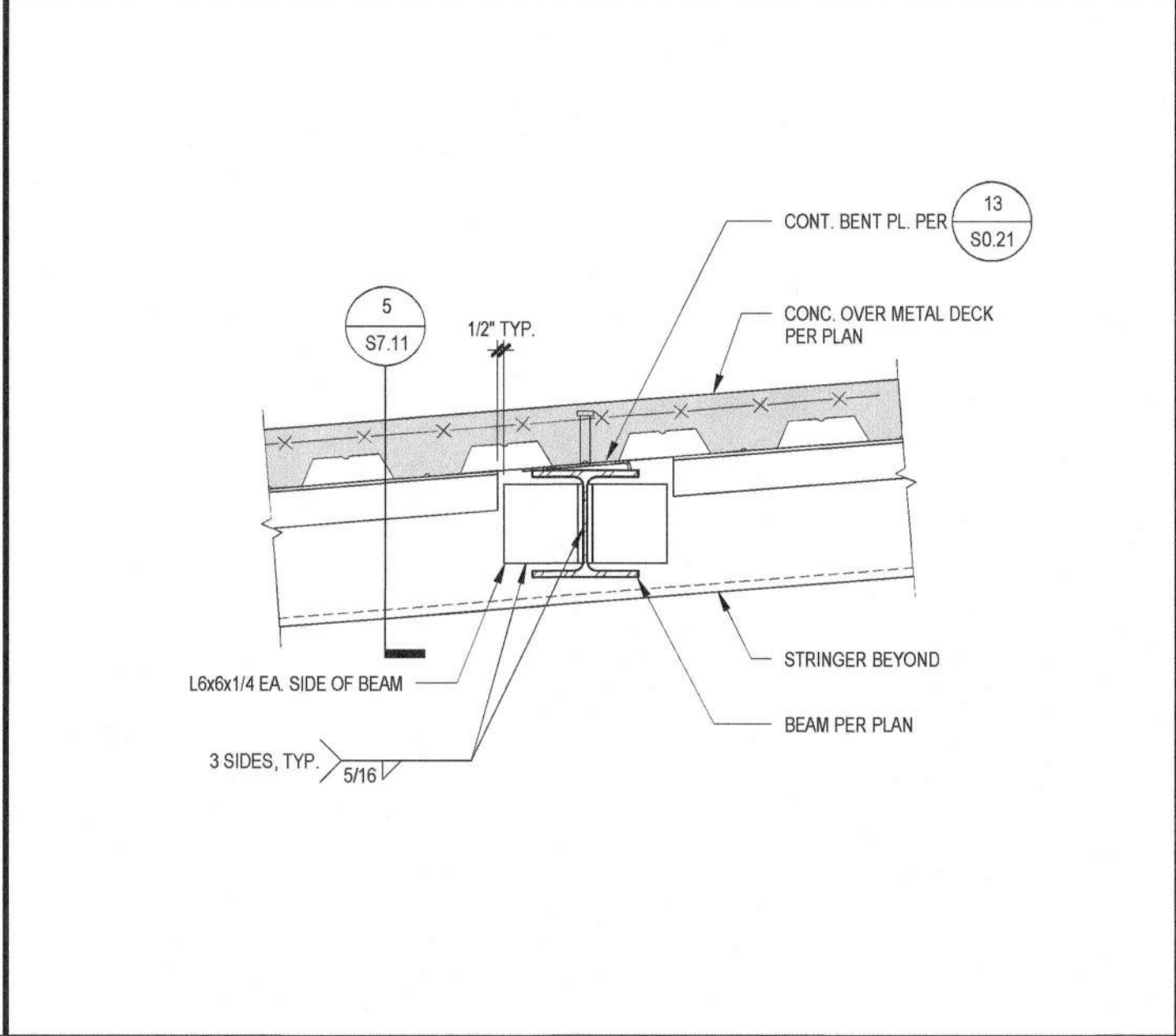
SECTION AT BEAM ADJACENT TO CONC. RAMP WALL 6



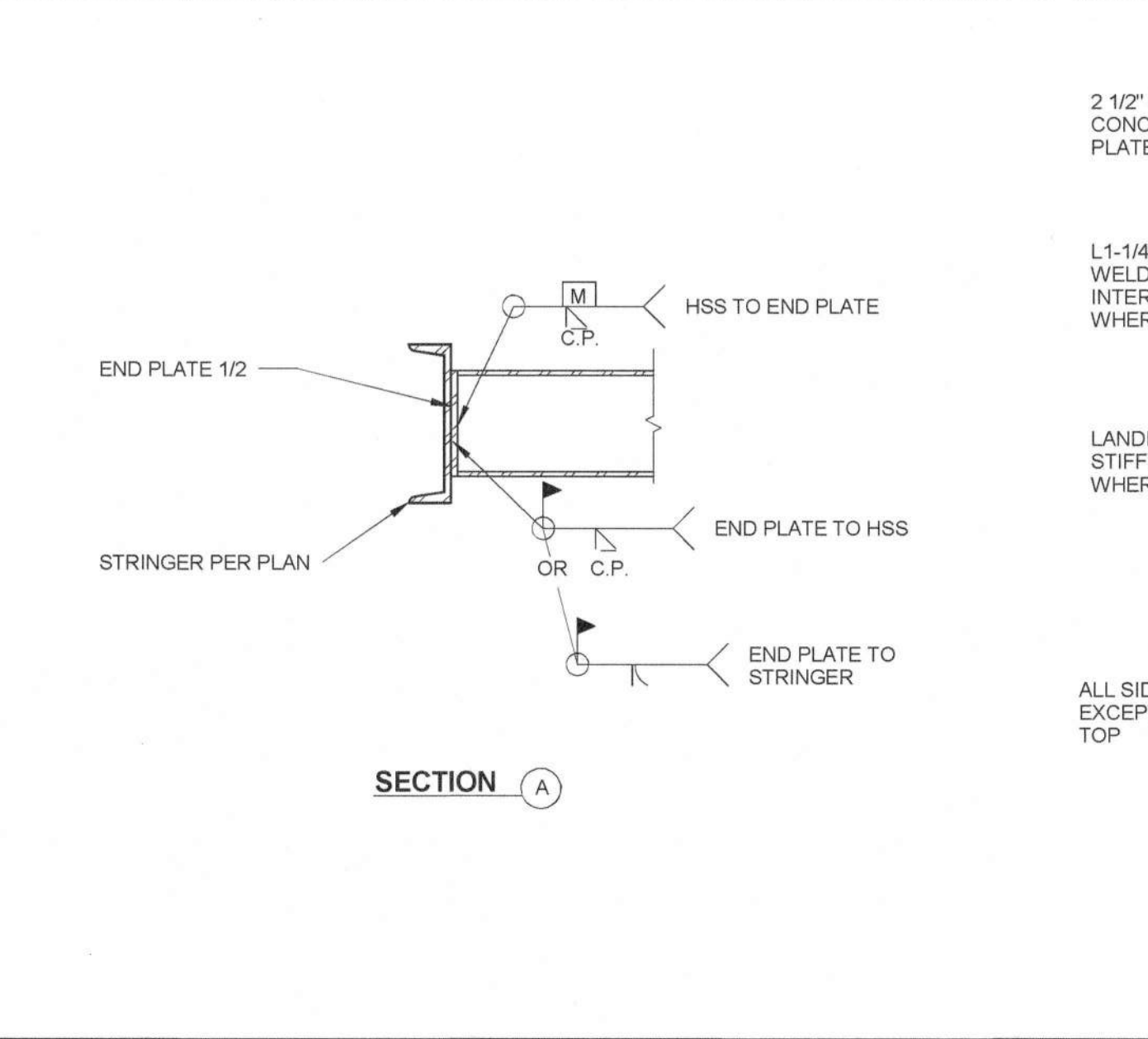
TYP. STAIR STRINGER DTL. 3



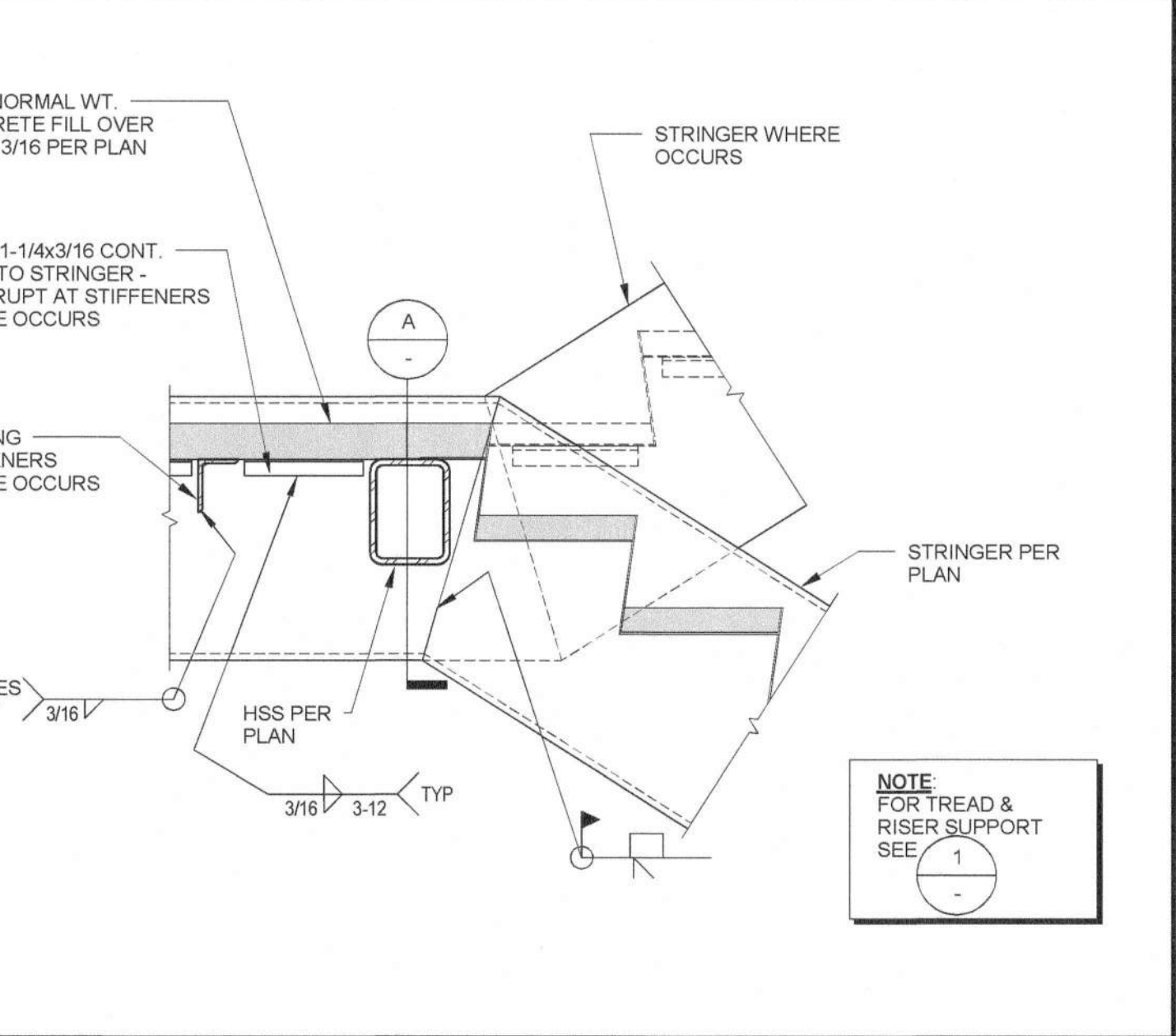
BASE STAIR CONN. AT ELEVATED DECK 12



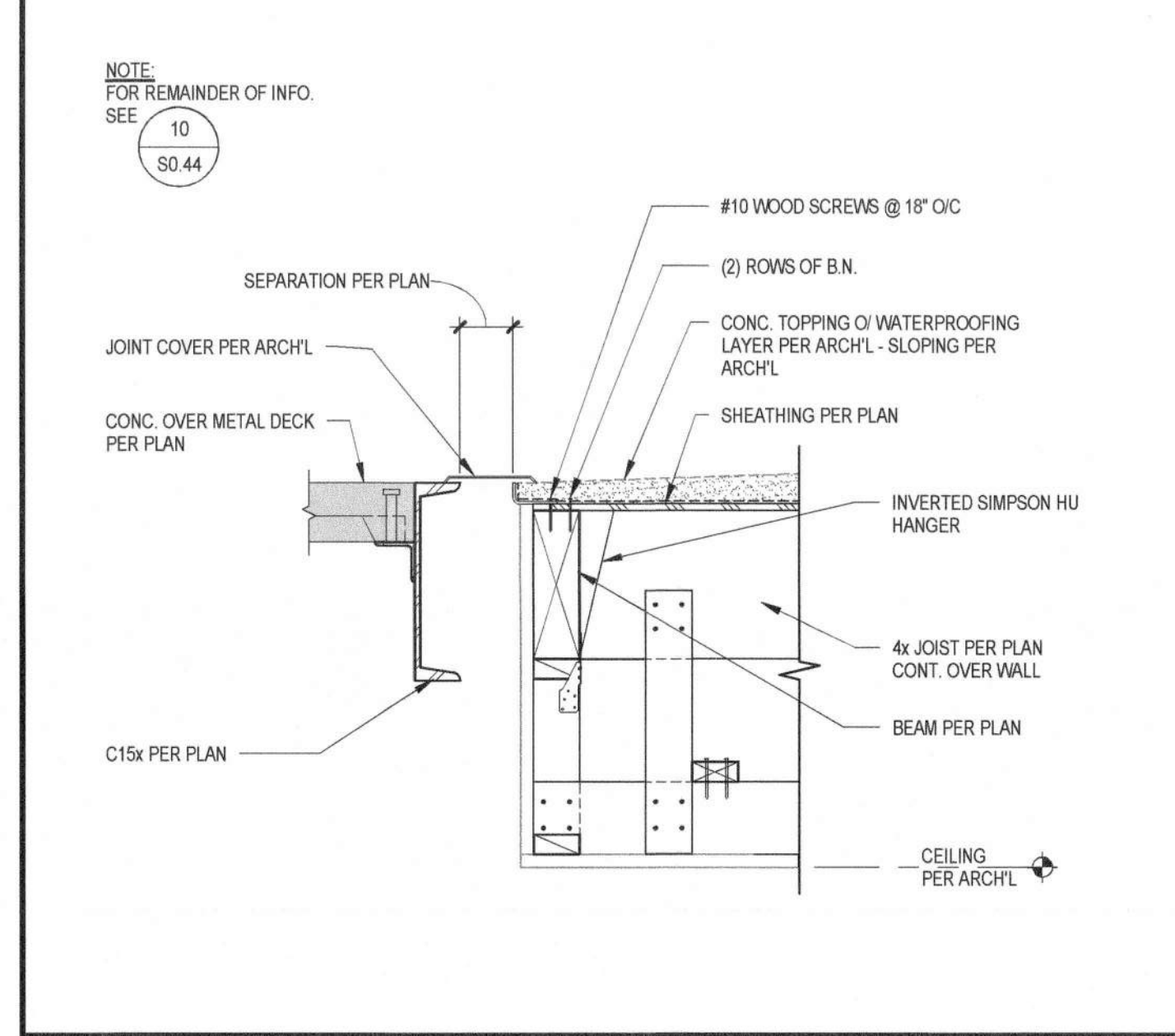
BEAM TO CHANNEL CONNECTION 9



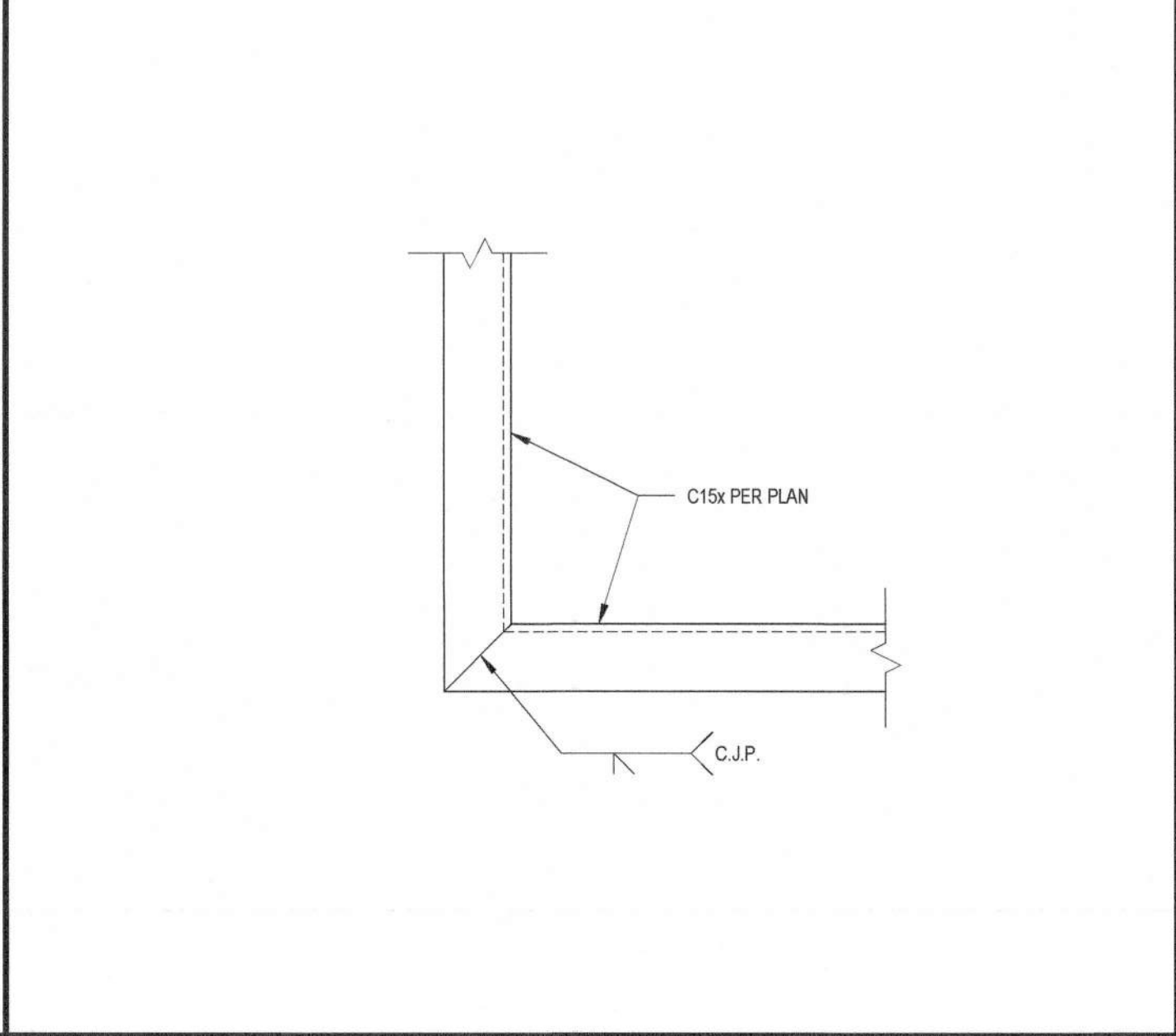
CHANNEL EDGE DETAIL 5



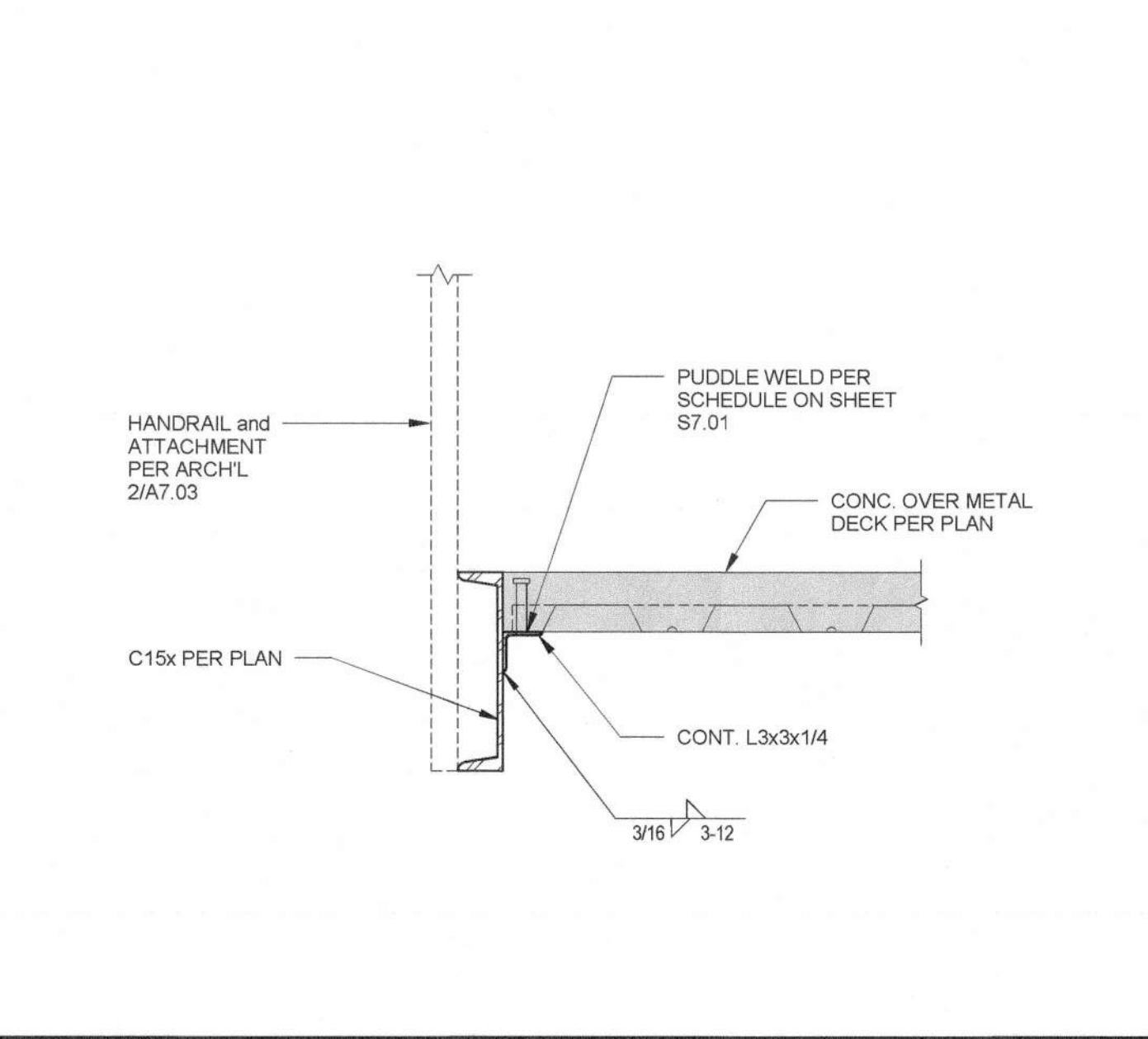
SECTION AT INTERMEDIATE LANDING 2



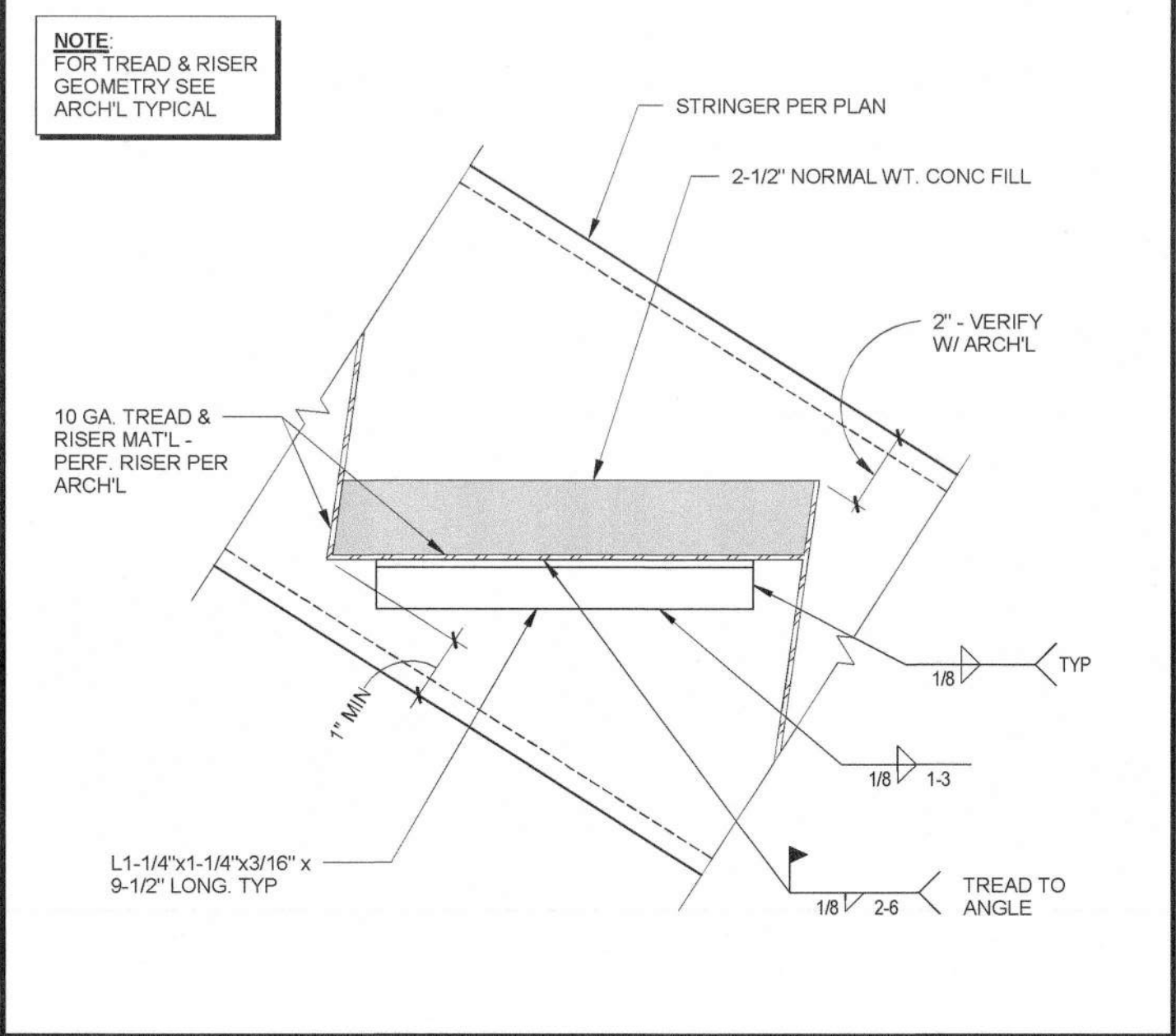
SECTION AT STAIR LANDING 11



CHANNEL TO CHANNEL DETAIL 8



CHANNEL TO CHANNEL DETAIL 8



TYP TREAD & RISER DETAIL 1

**LPA**  
 4407 780 7200  
 4407 780 7201  
 www.lpa.com  
 lpa@lpa.com

REGISTERED PROFESSIONAL ARCHITECT  
 DANIEL J. DANIEL  
 No. S-4363  
 12/11/18  
 STATE OF CALIFORNIA

IDENTIFICATION STAMP  
 DIVISION OF THE STATE ARCHITECT  
 OFFICE OF REGULATION SERVICE  
 APPL. #: 01-116180  
 DATE: 3.21.17  
 FILE NUMBER: 43-110

**BUILDING D SCIENCE AND CLASSROOM BUILDINGS, PIEDMONT HILLS HIGH SCHOOL**  
 1377 PIEDMONT RD  
 SAN JOSE, CA 95132  
 Developed for  
 EAST SIDE UNION HIGH SCHOOL DISTRICT

This set of documents and all other information contained herein are the property of LPA and shall remain confidential. No part of this document shall be reproduced or transmitted in any form or by any means electronic, mechanical, photocopying, recording, or by any information storage and retrieval system, without the prior written permission of LPA. LPA shall not be responsible for any errors or omissions in this document. The user of this document shall be responsible for verifying the accuracy of the information contained herein. © Copyright 2014

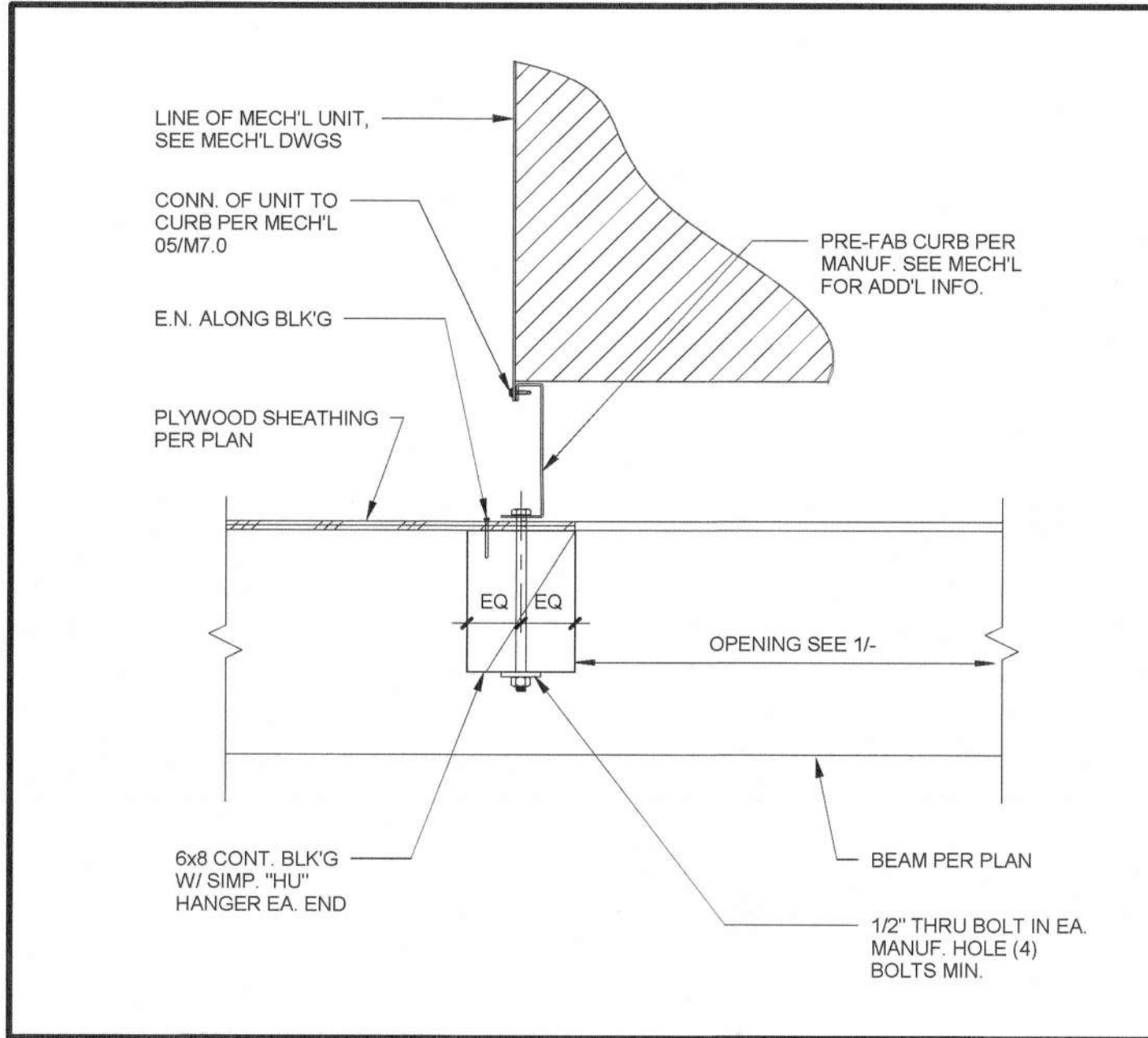
Revision	Date	Description
1	03/18/18	SCHEMATIC DESIGN
2	05/15/18	DESIGN DEVELOPMENT
3	06/15/18	50% CONSTRUCTION DOCUMENTS
4	07/27/18	85% CONSTRUCTION DOCUMENTS
5	08/12/18	100% SUBMITTAL
6	03/09/17	DCS APPROVAL

Job No. 1802010  
 Date 08/12/2016  
 Checked by  
 Scale As Indicated

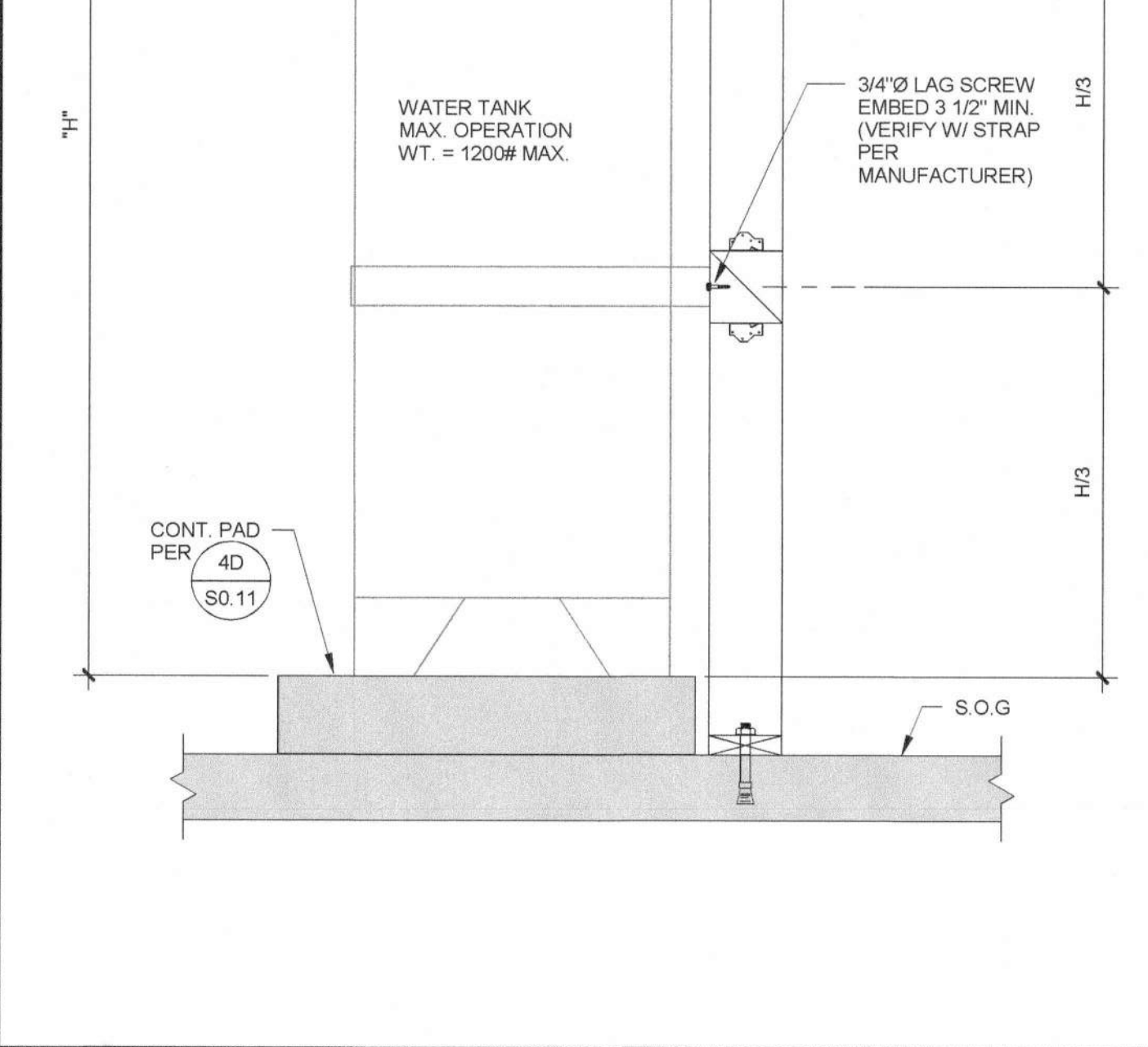
**TYPICAL STAIR FRAMING DETAILS**

S7.11

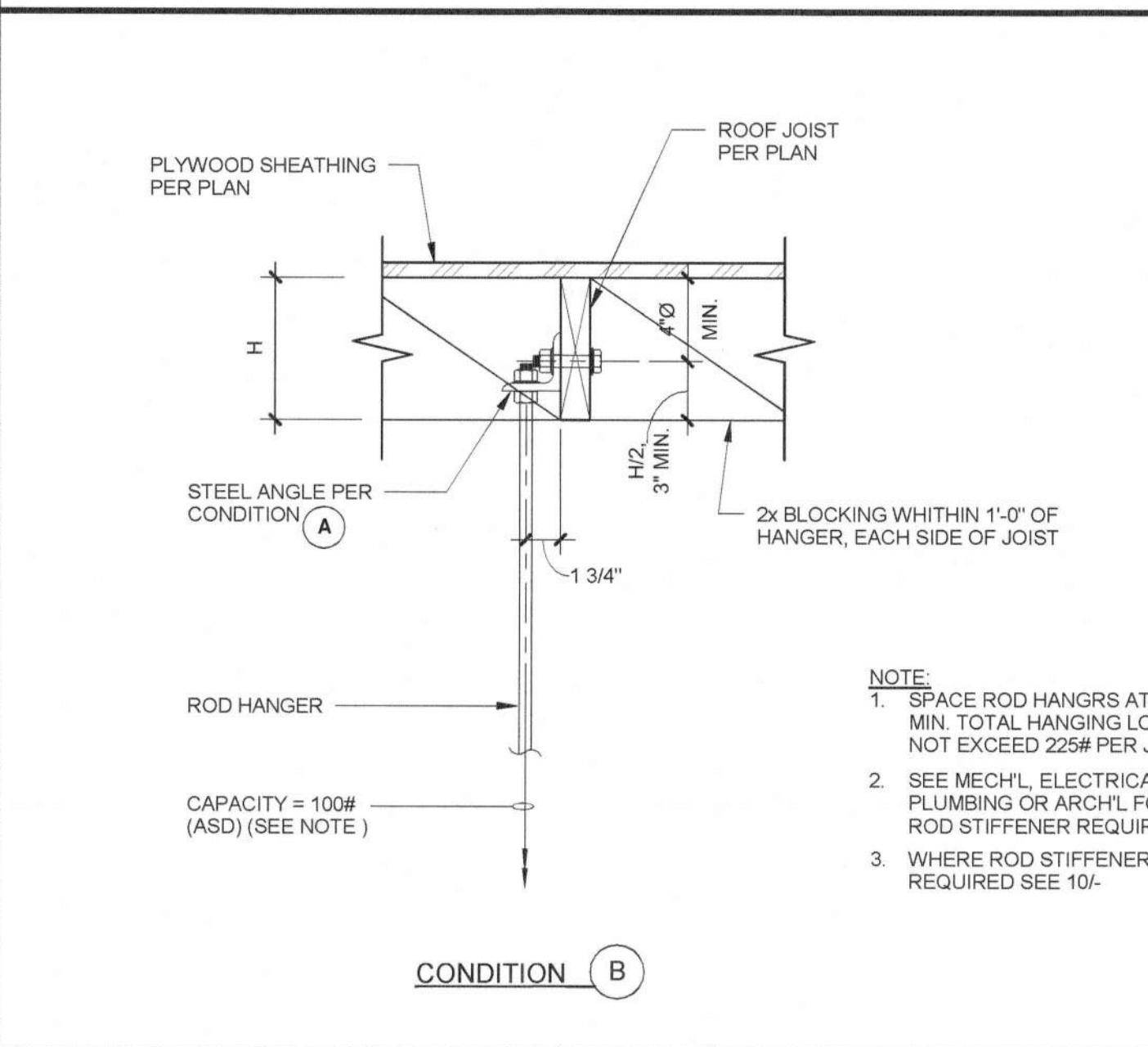




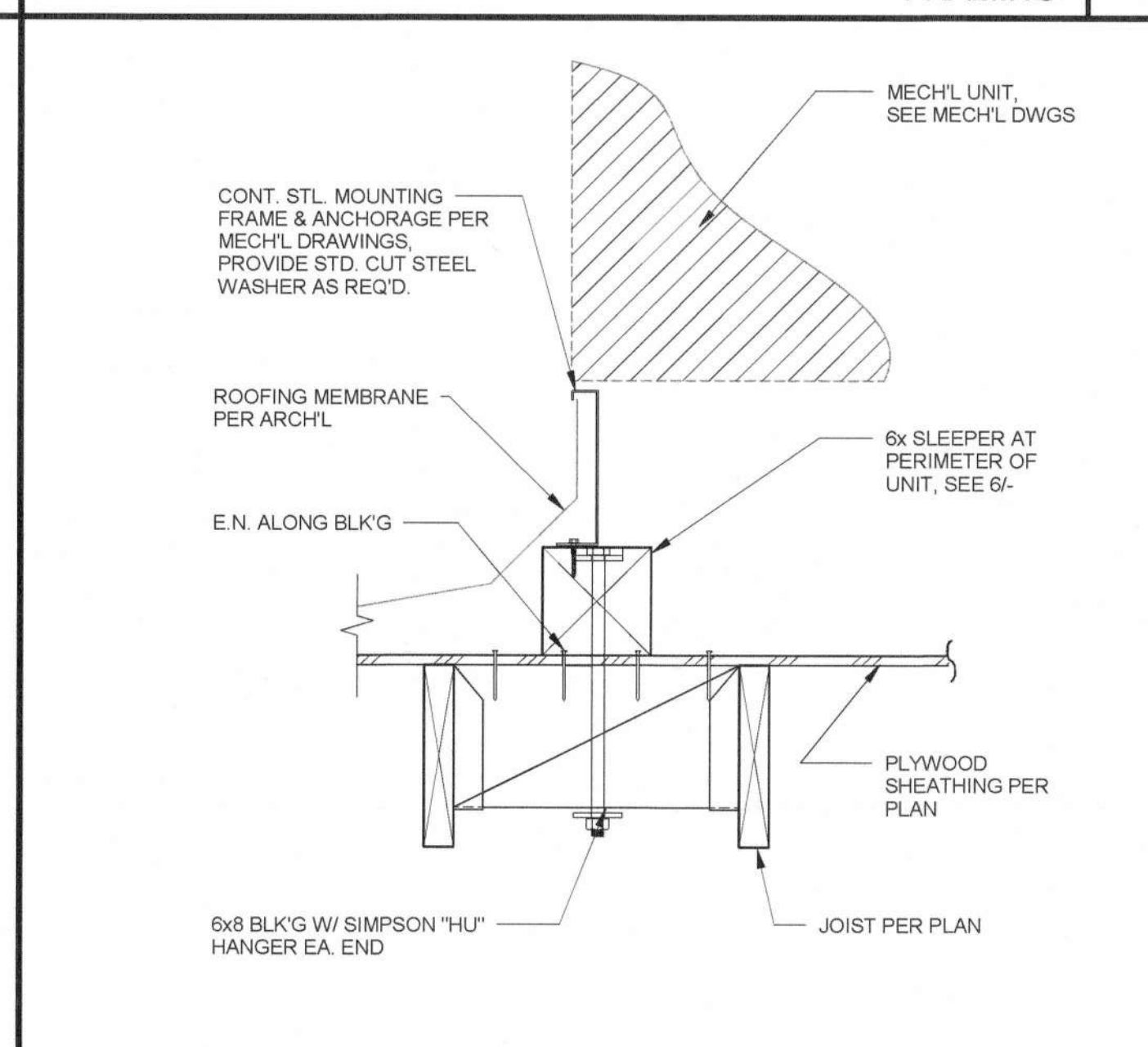
TYPICAL FUME HOOD EXHAUST CONN. 13



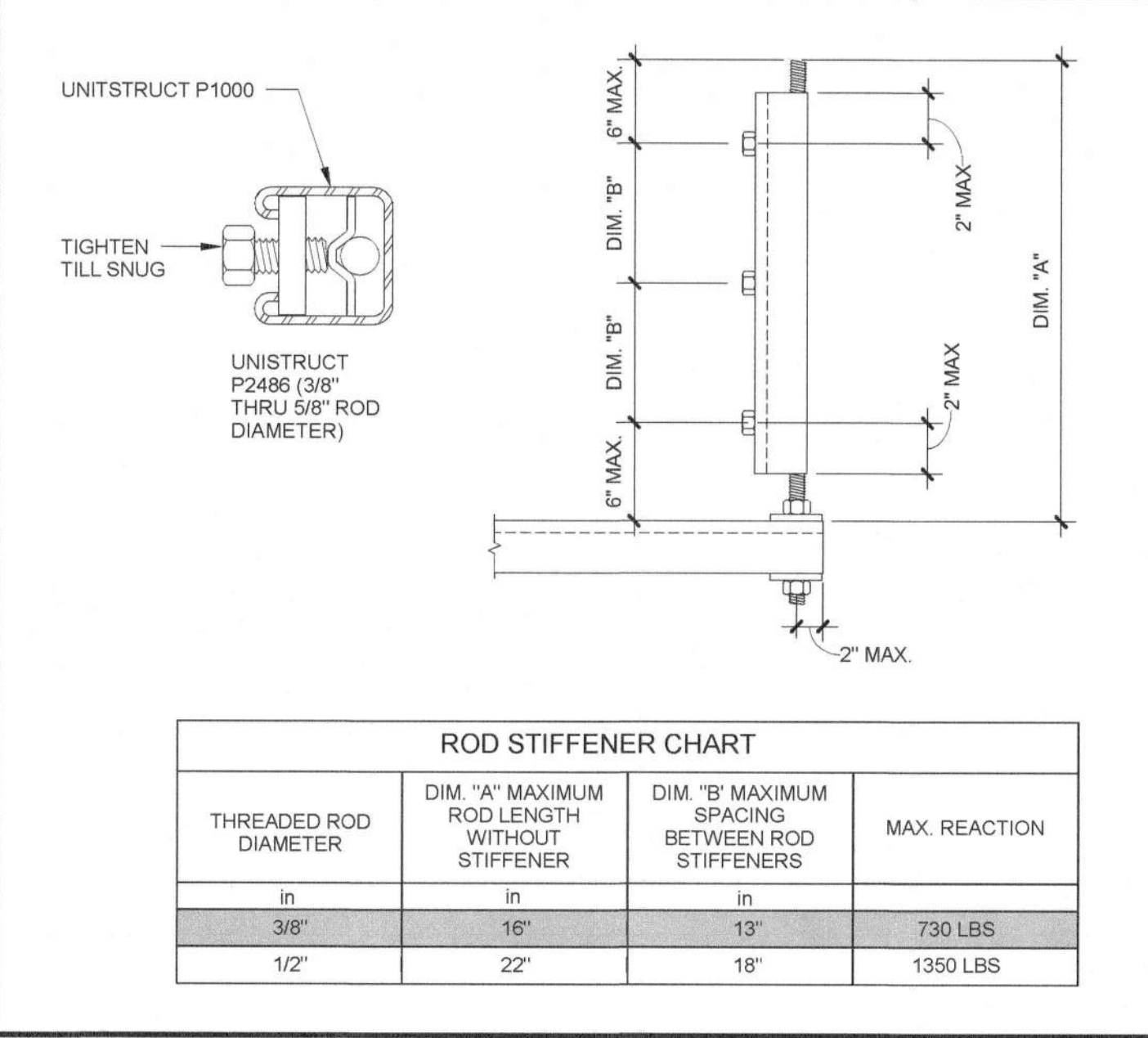
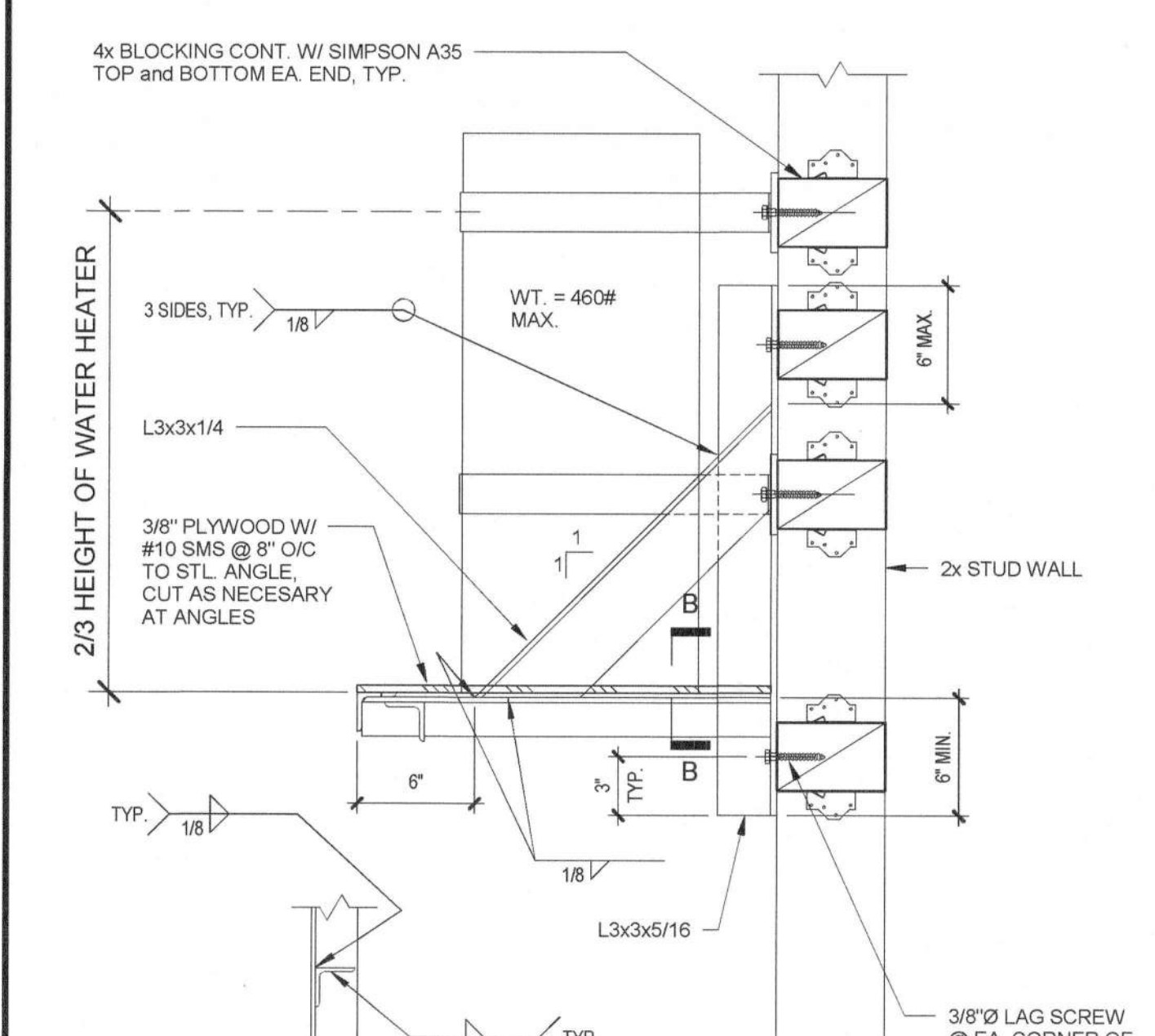
WATER TANK SEISMIC BRACING 11



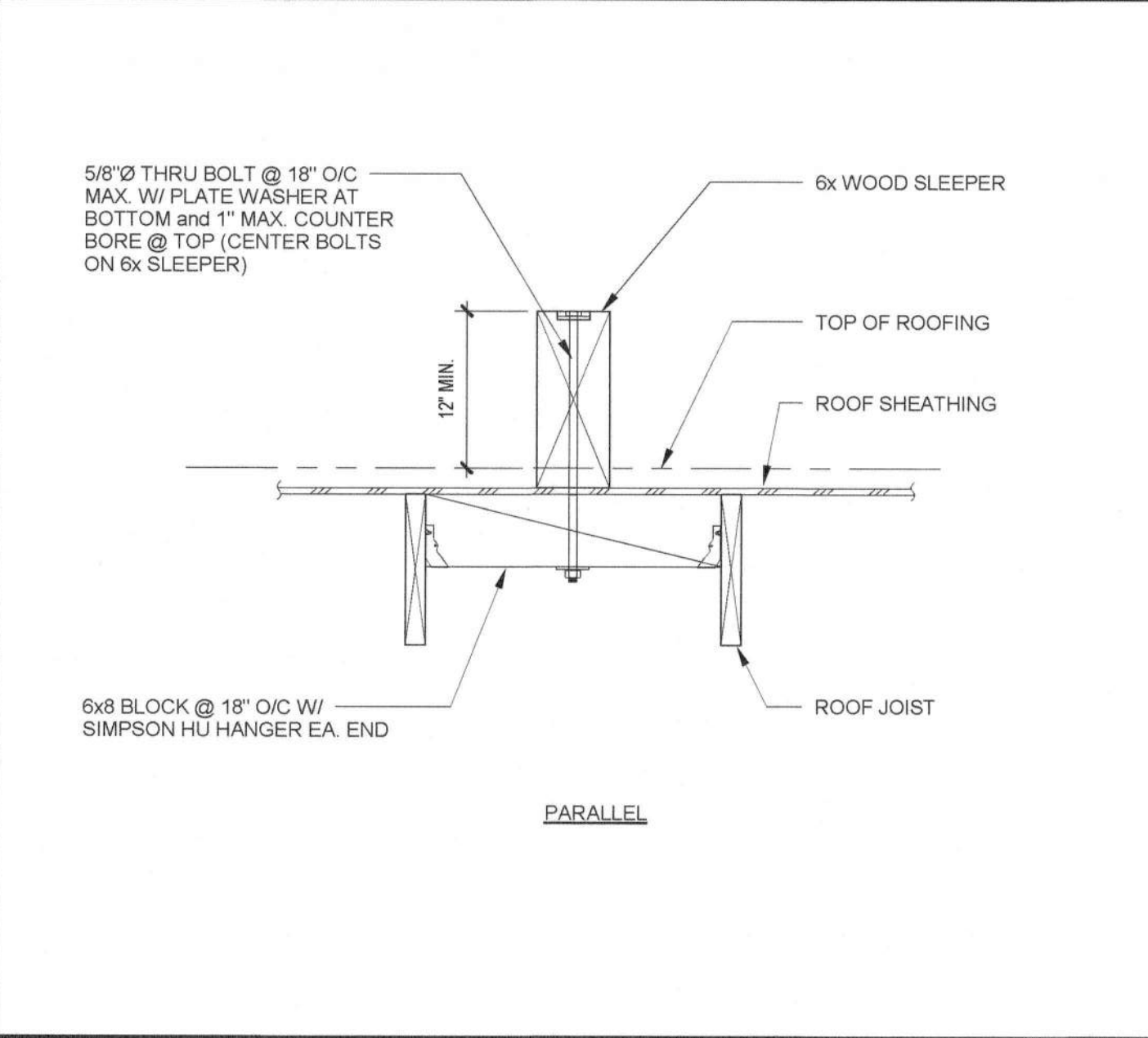
TYP. ROD HANGER AT WOOD FRAMING 7



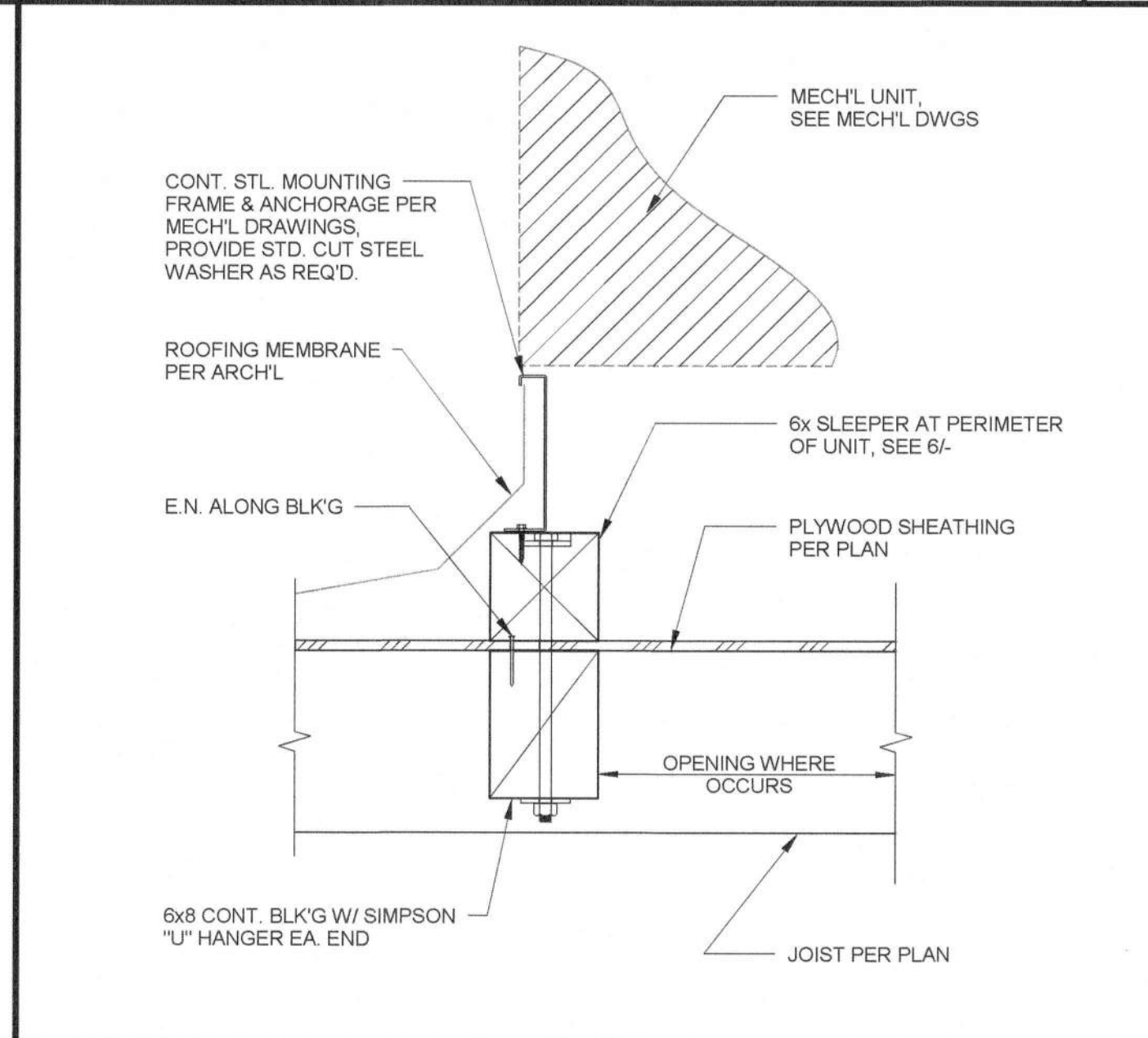
EQUIPMENT SUPPORT PERPENDICULAR TO ROOF JOIST 3



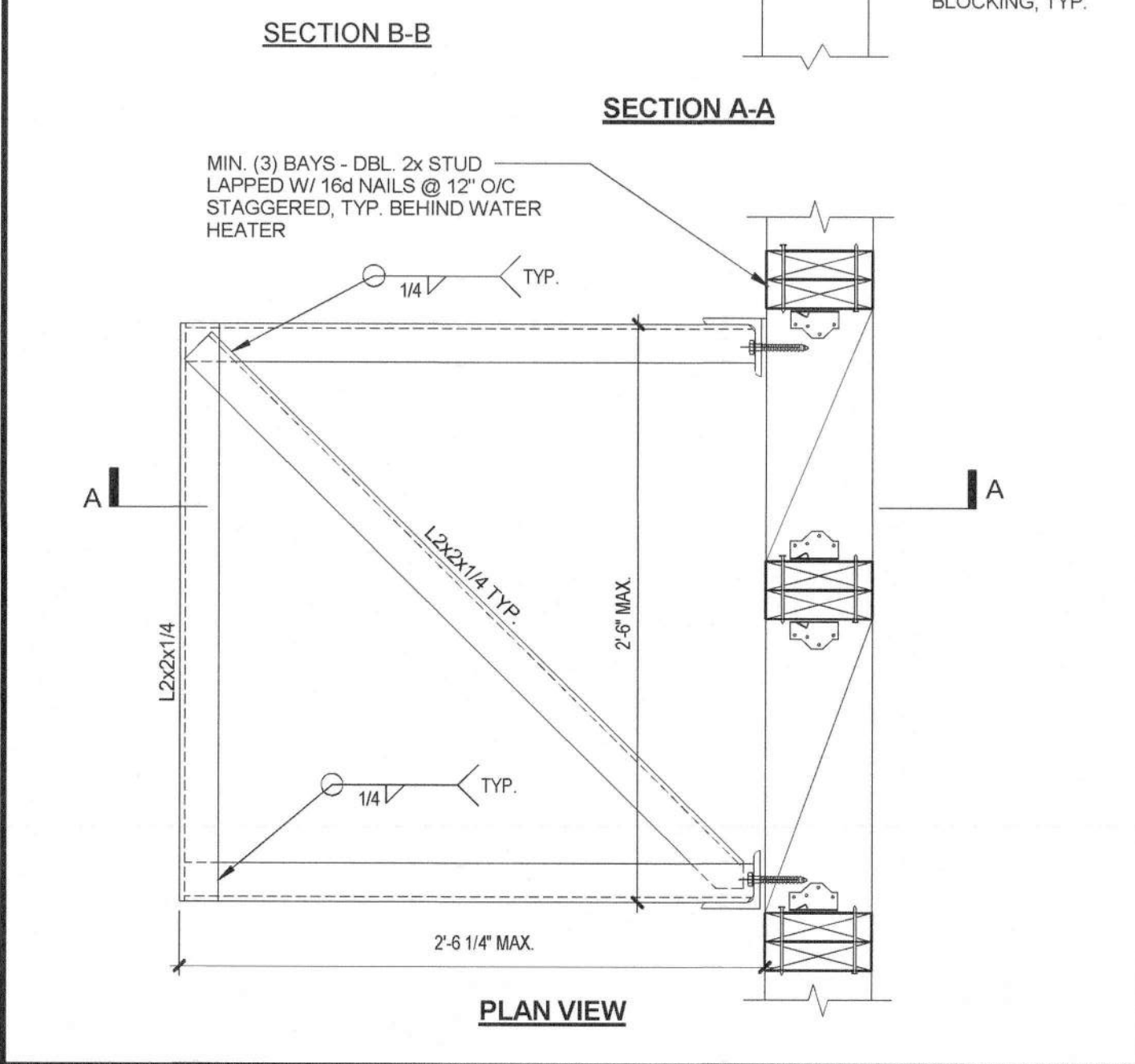
TYPICAL THREADED ROD STIFFENER 10



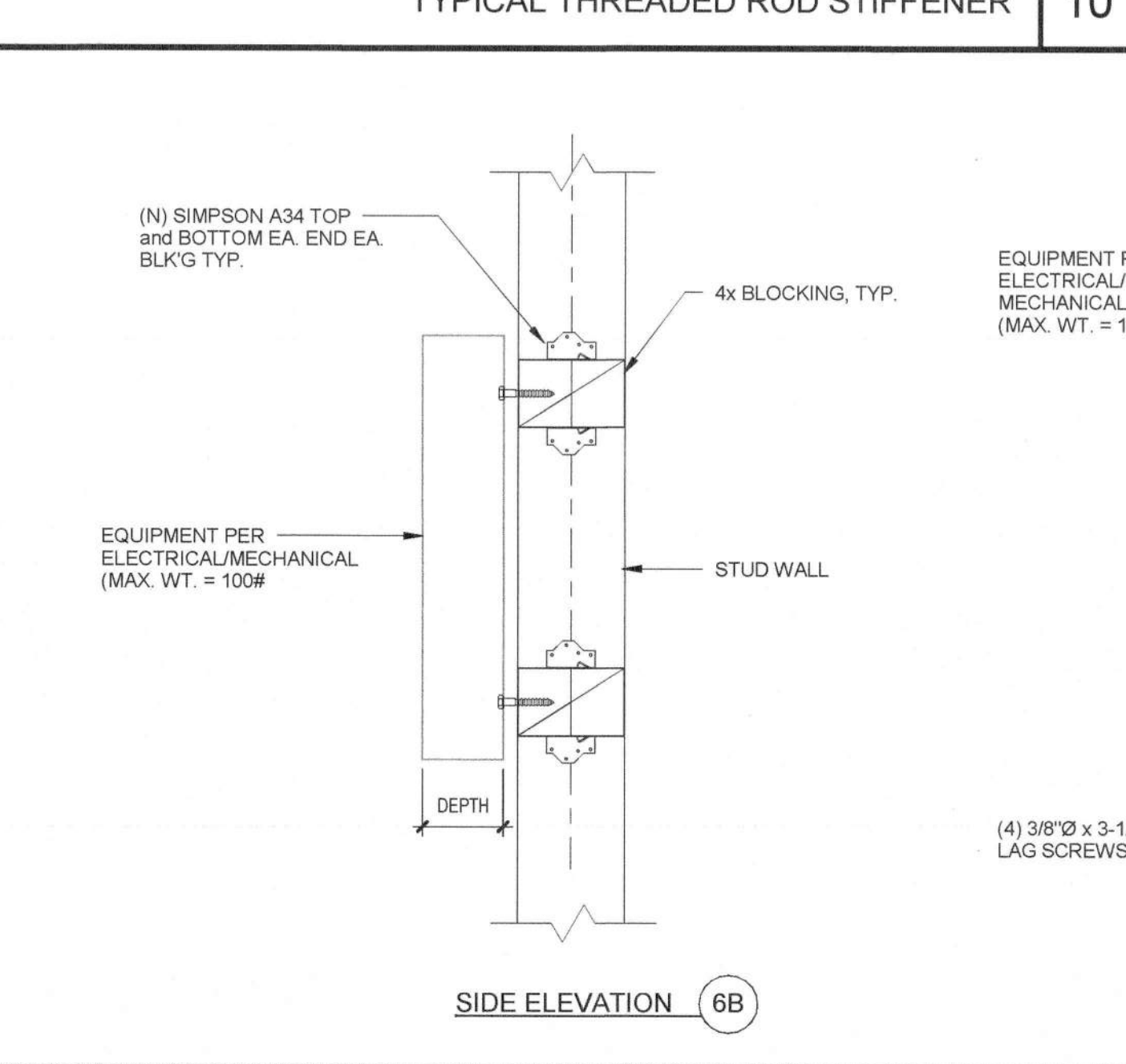
TYPICAL WOOD SLEEPER DETAIL 6



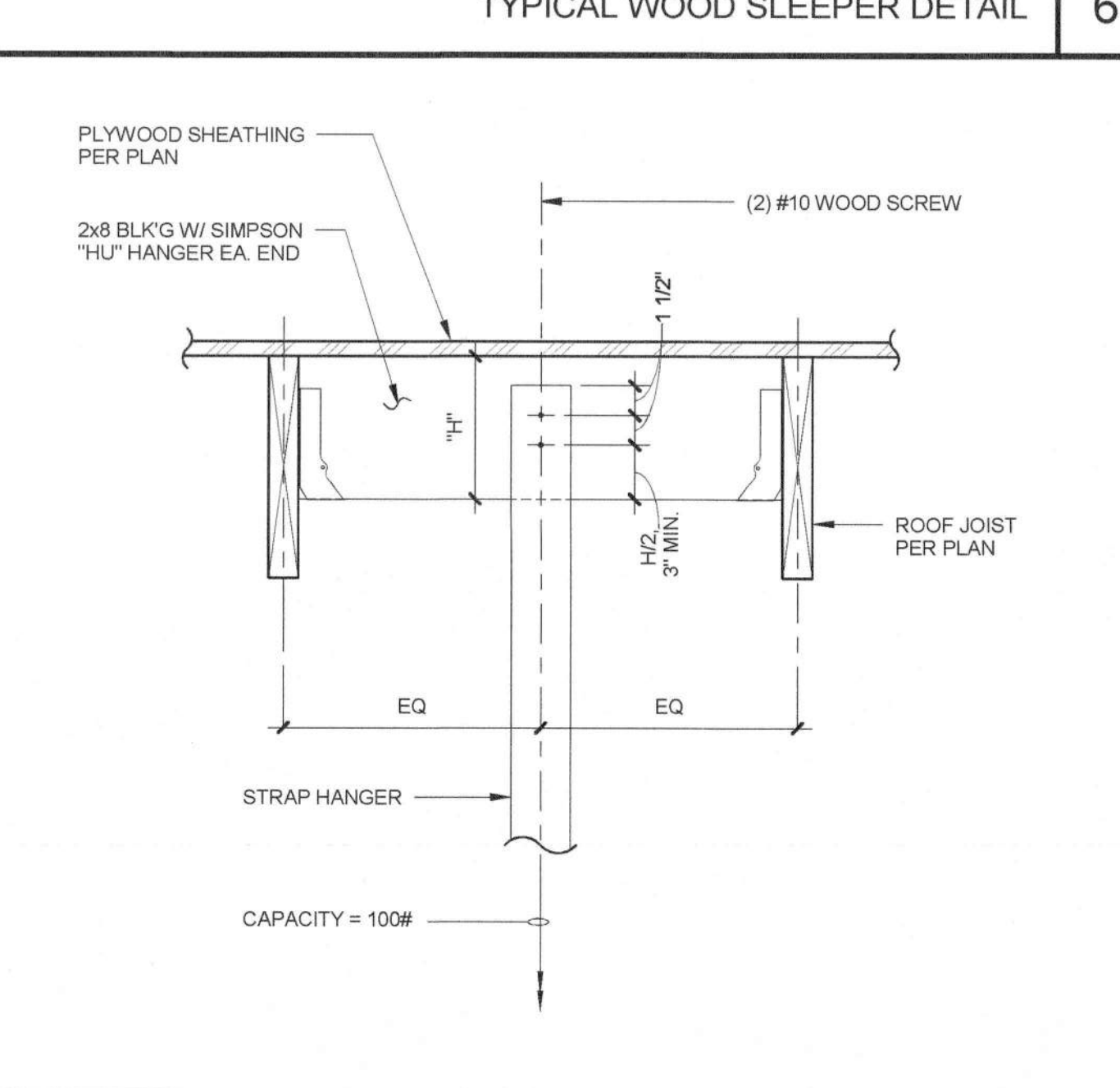
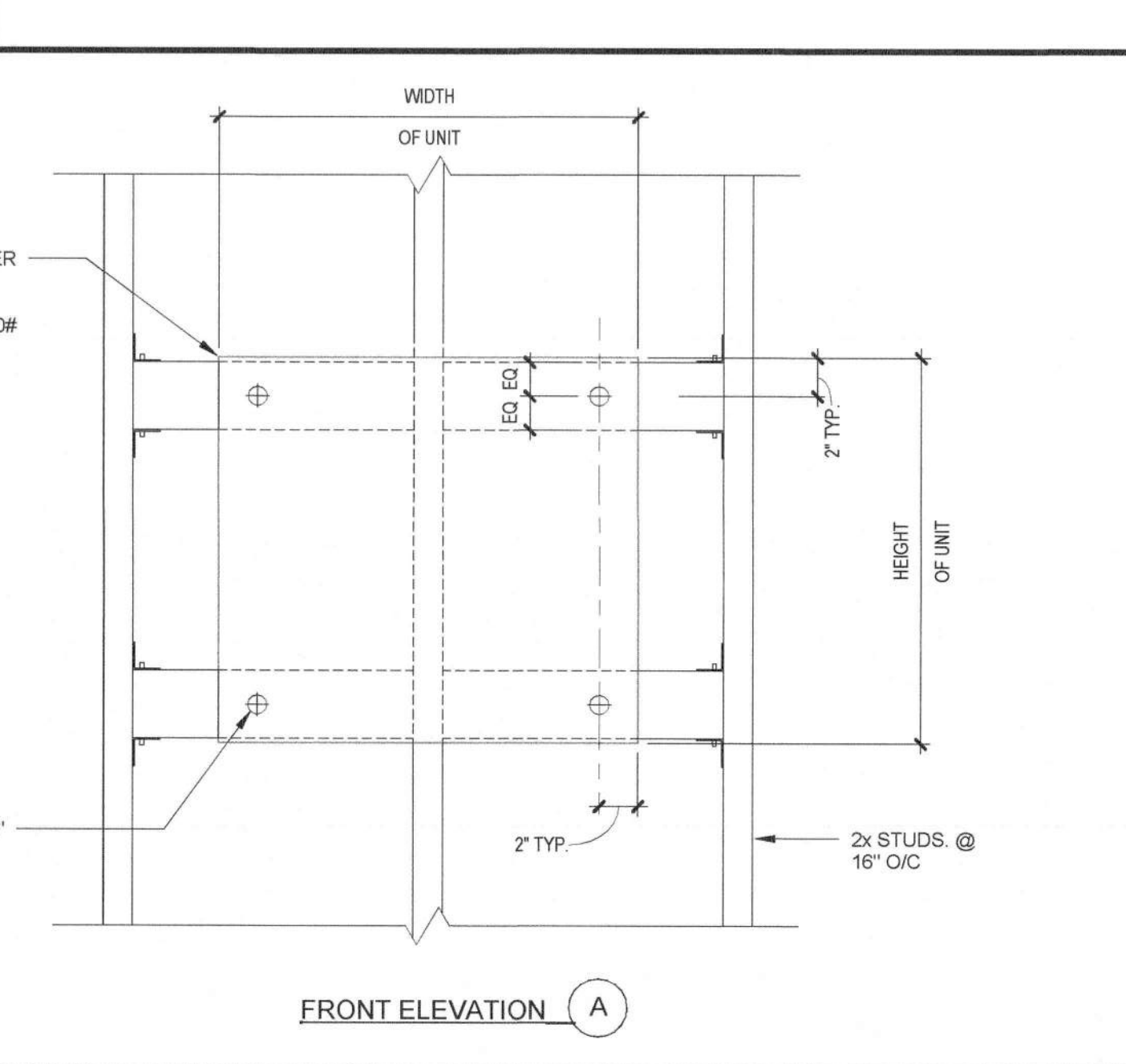
EQUIPMENT SUPPORT PERPENDICULAR TO ROOF JOIST 2



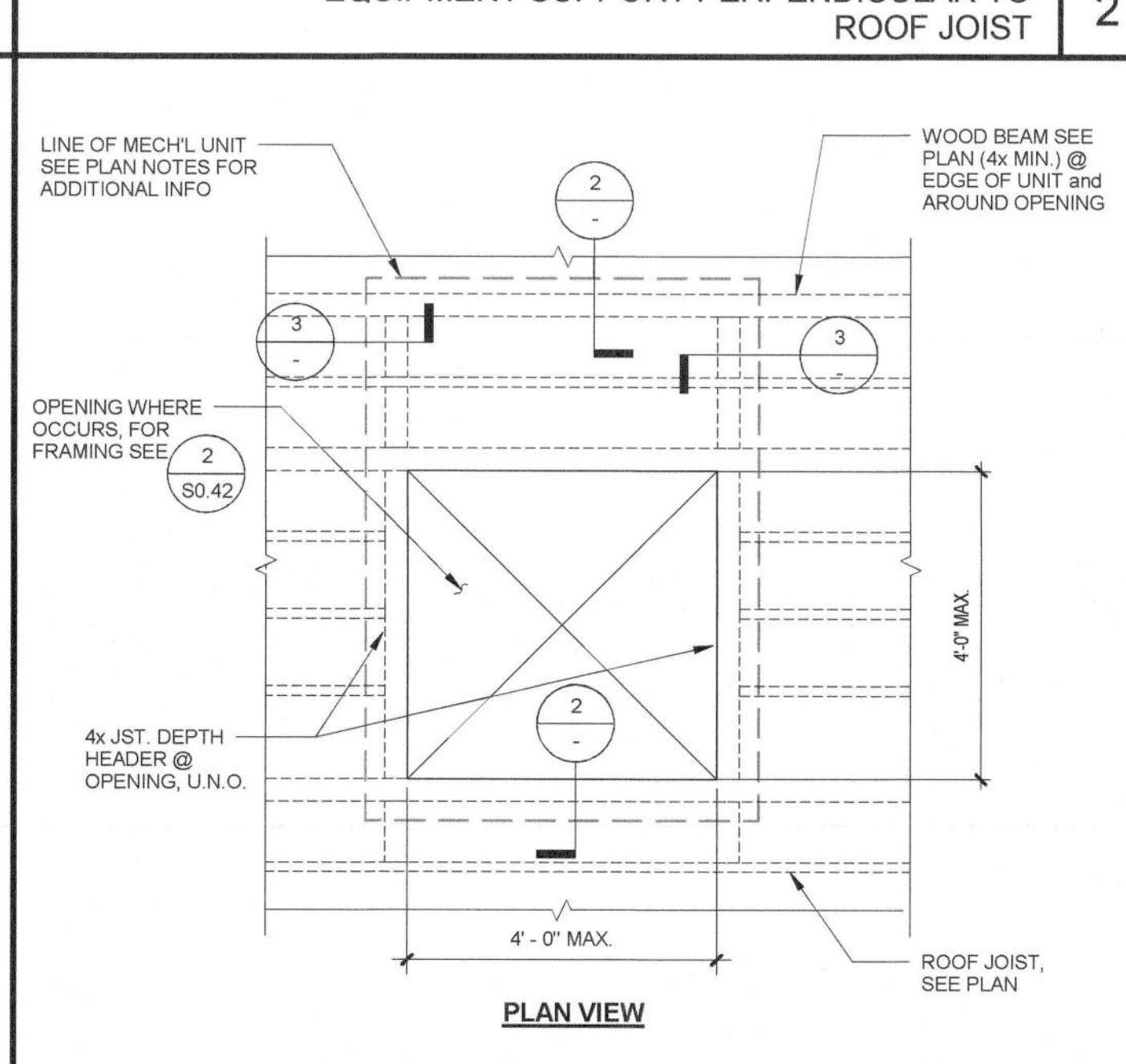
WATER TANK SUPPORT - (MAX. WT. = 460#) 12



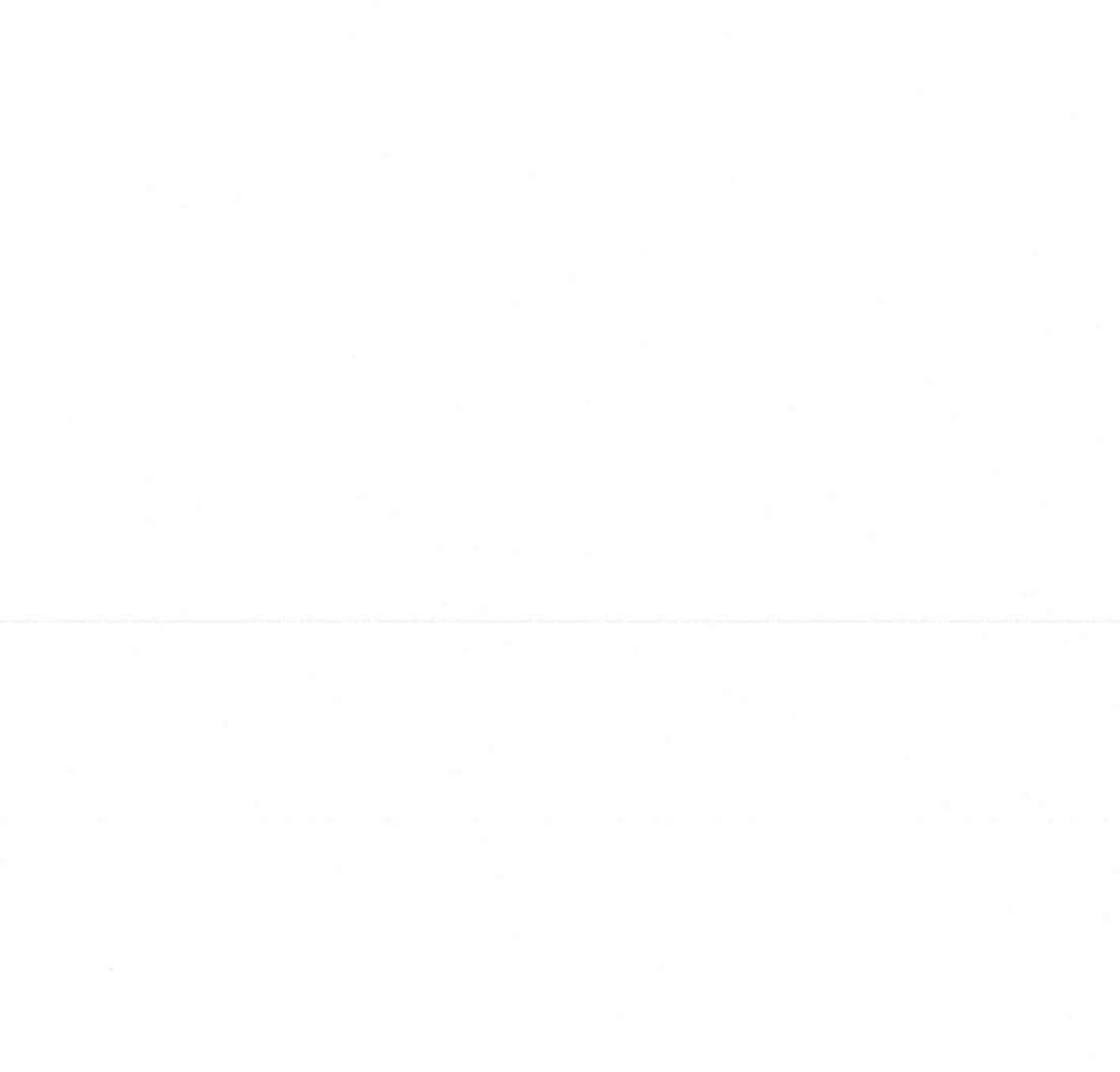
WALL MOUNTED EQUIPMENT 9



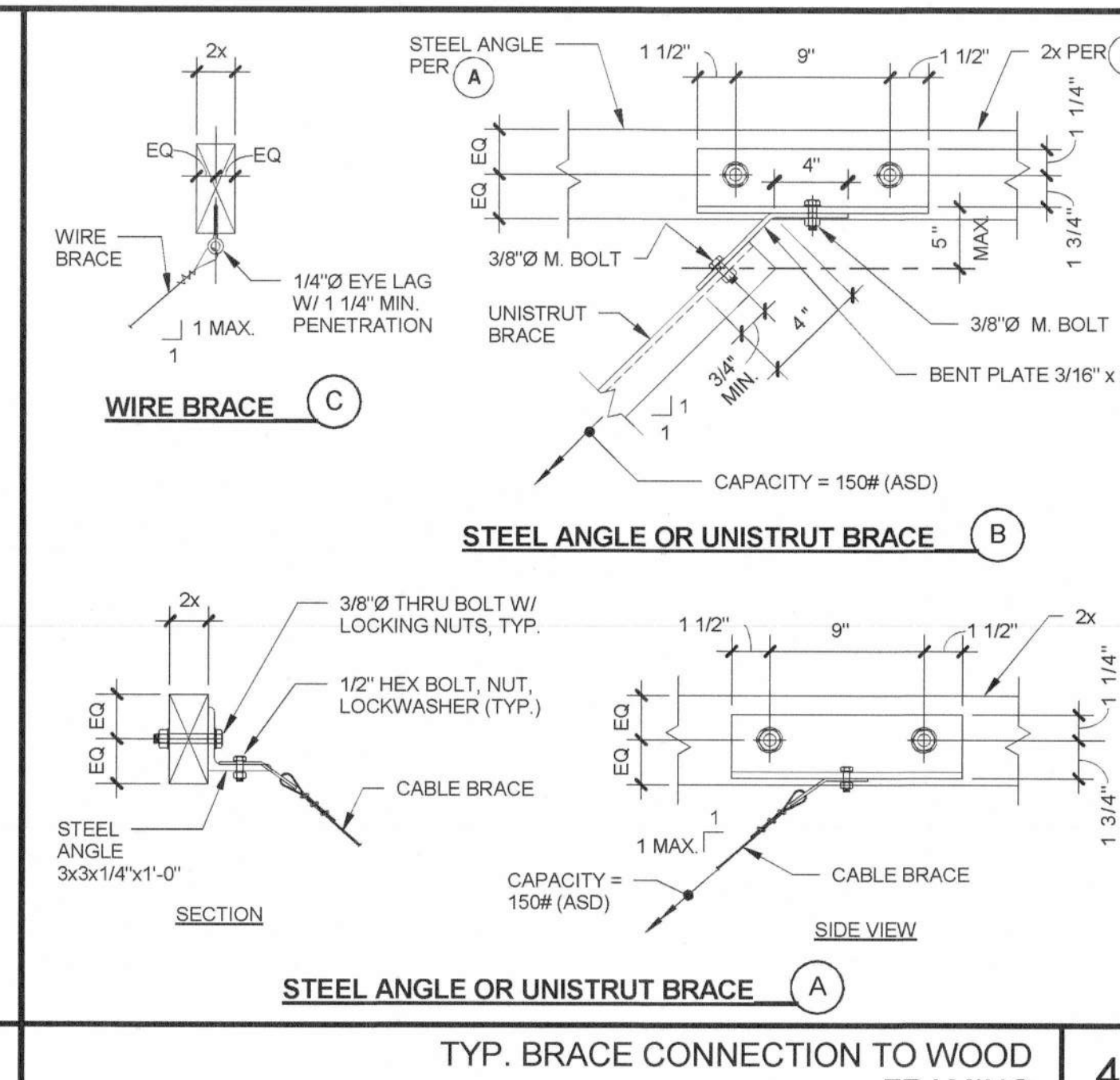
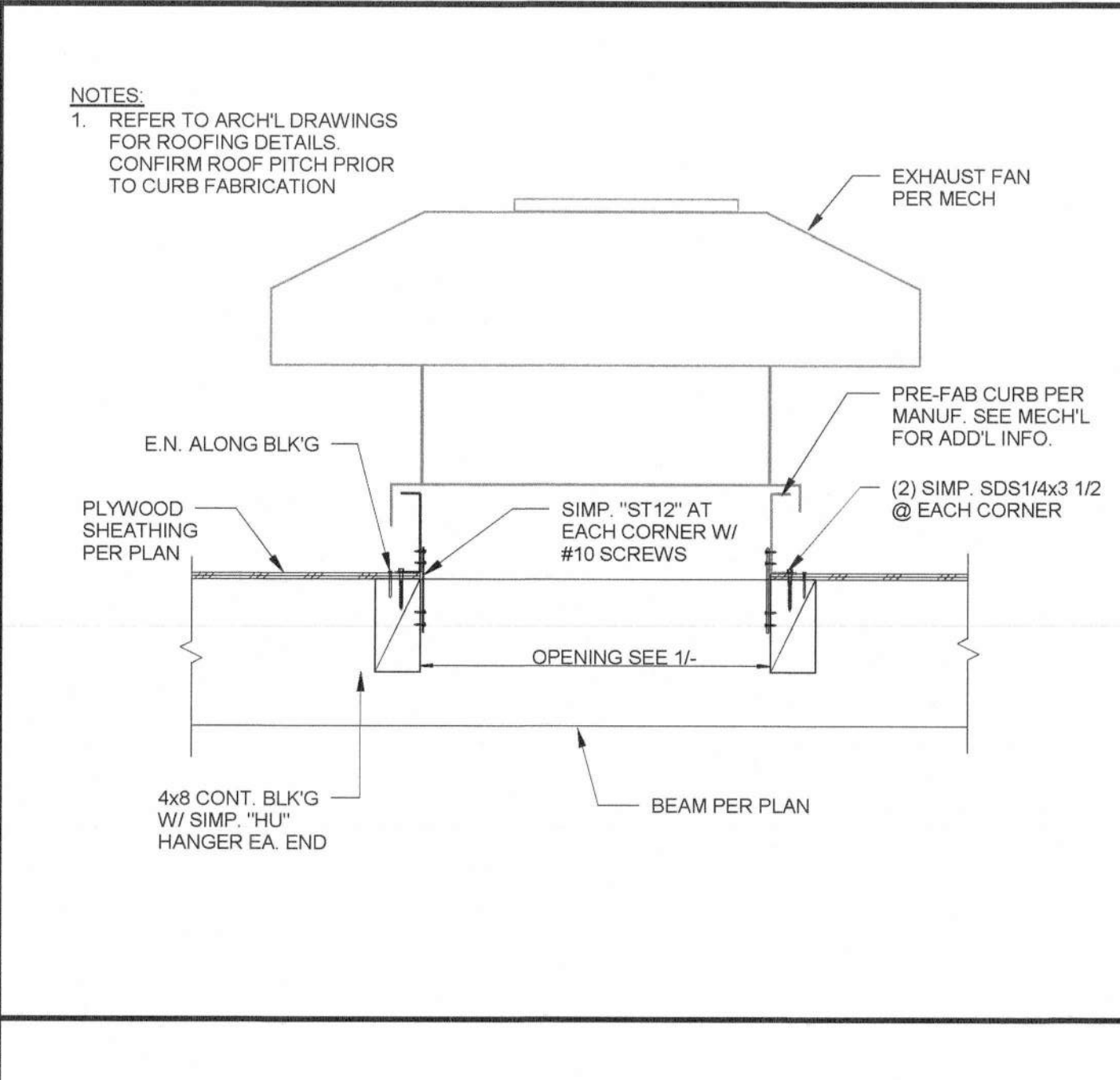
TYP. STAP HANGER AT WOOD FRAMING 5



TYPICAL ROOF FRAMING AT MECHANICAL UNIT 1



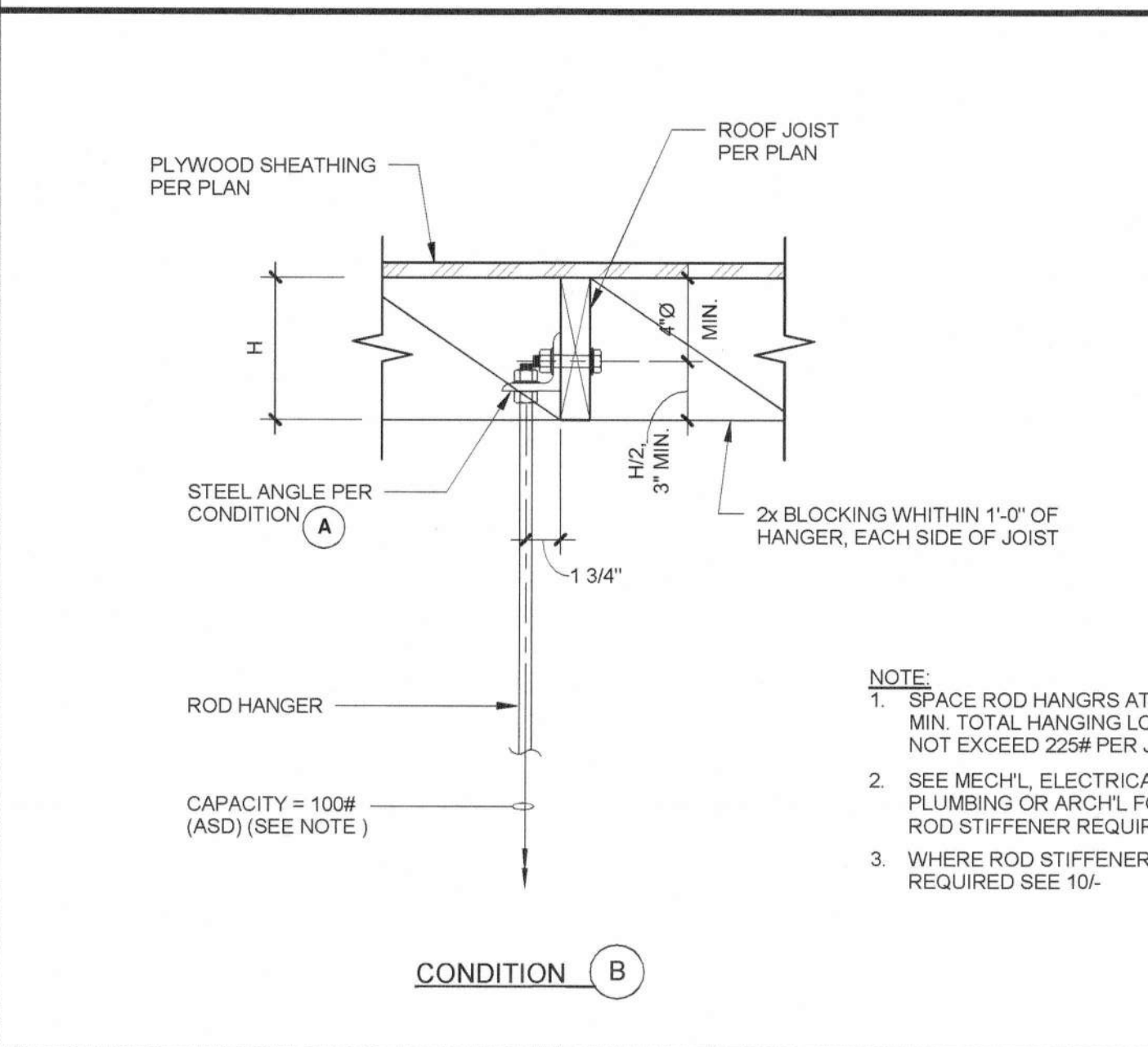
TYP. EF ANCHORAGE 8



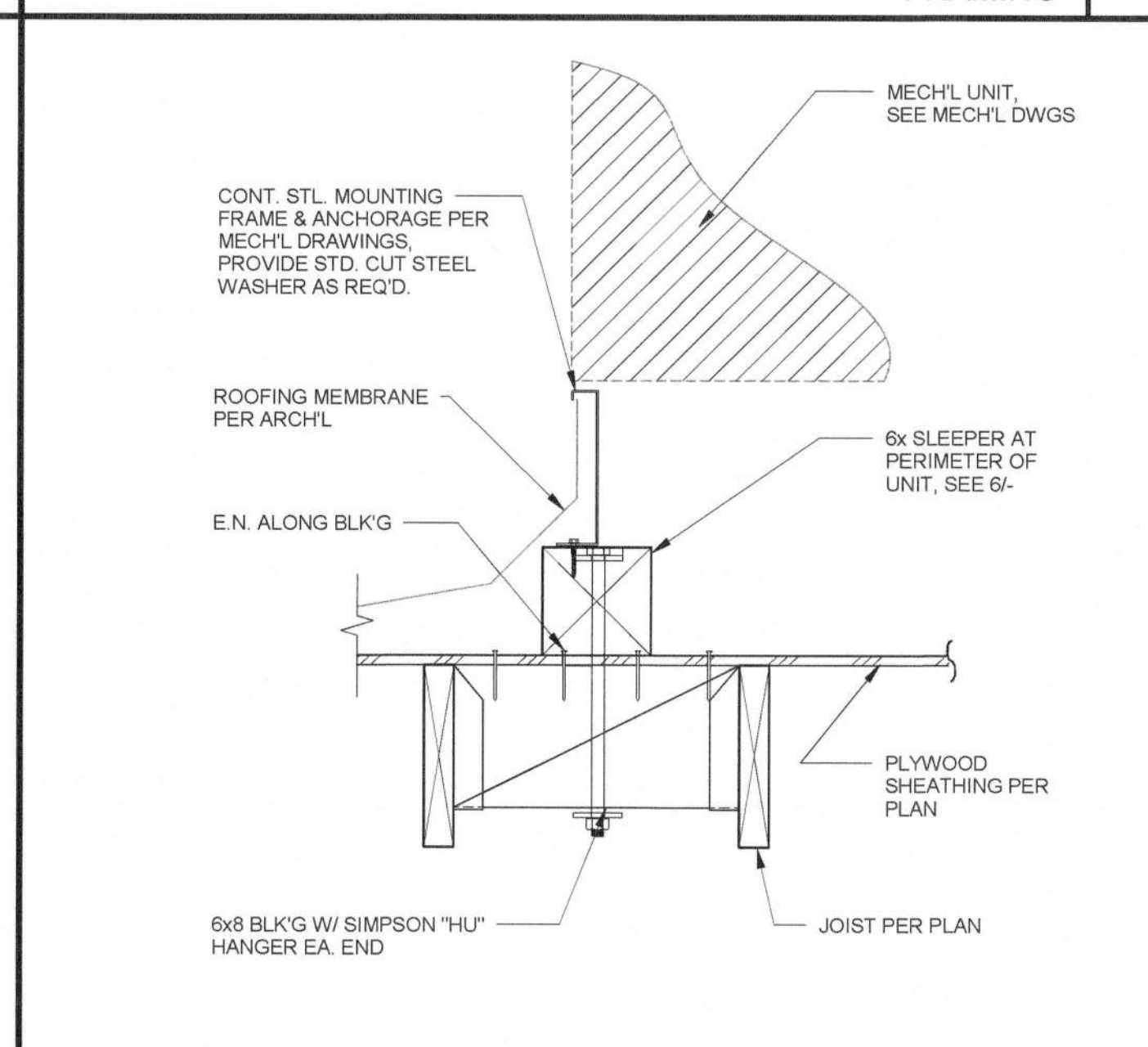
TYP. BRACE CONNECTION TO WOOD FRAMING 4

ANCHORAGE SCHEDULE - MOUNTED EQUIPMENT

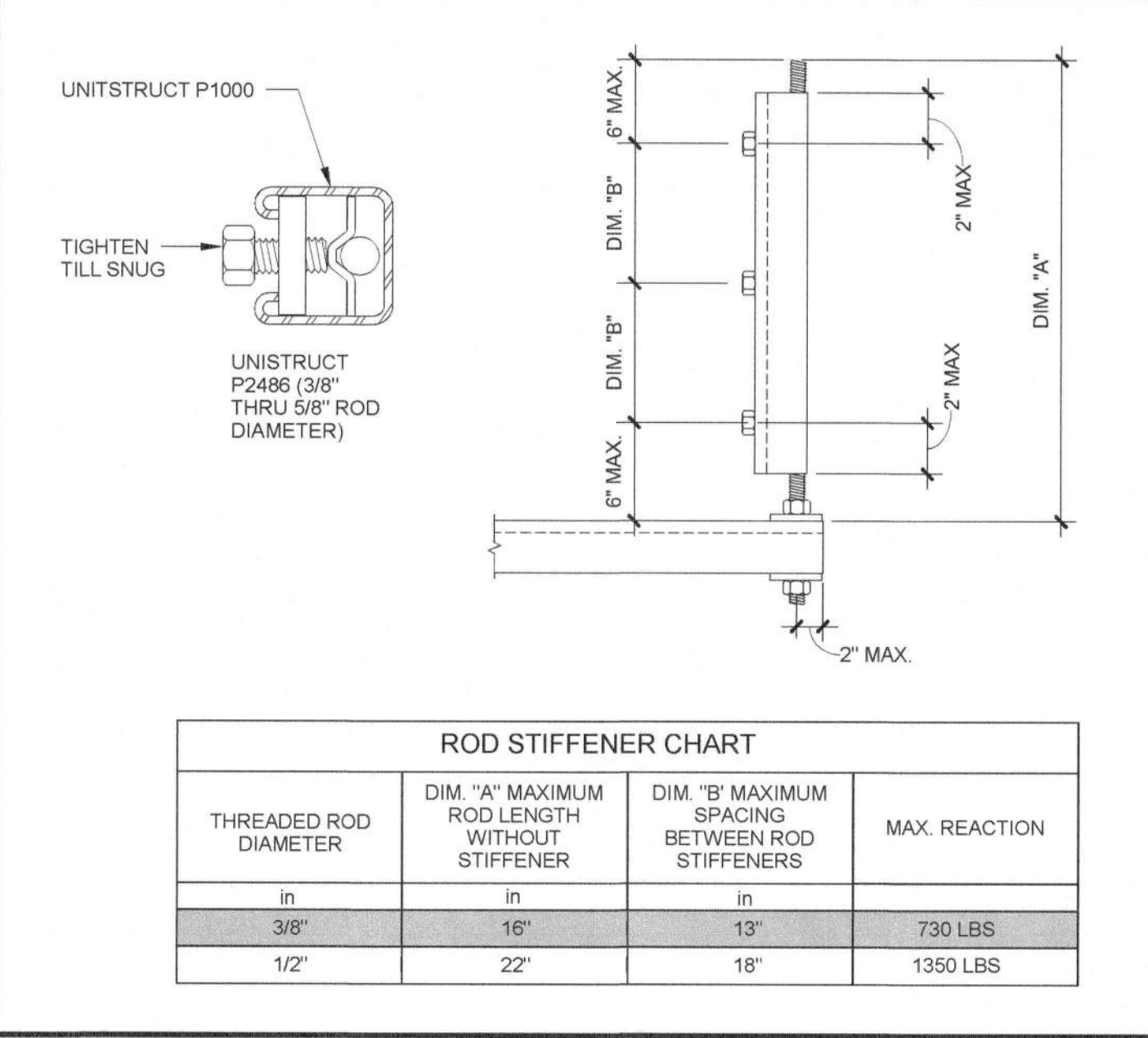
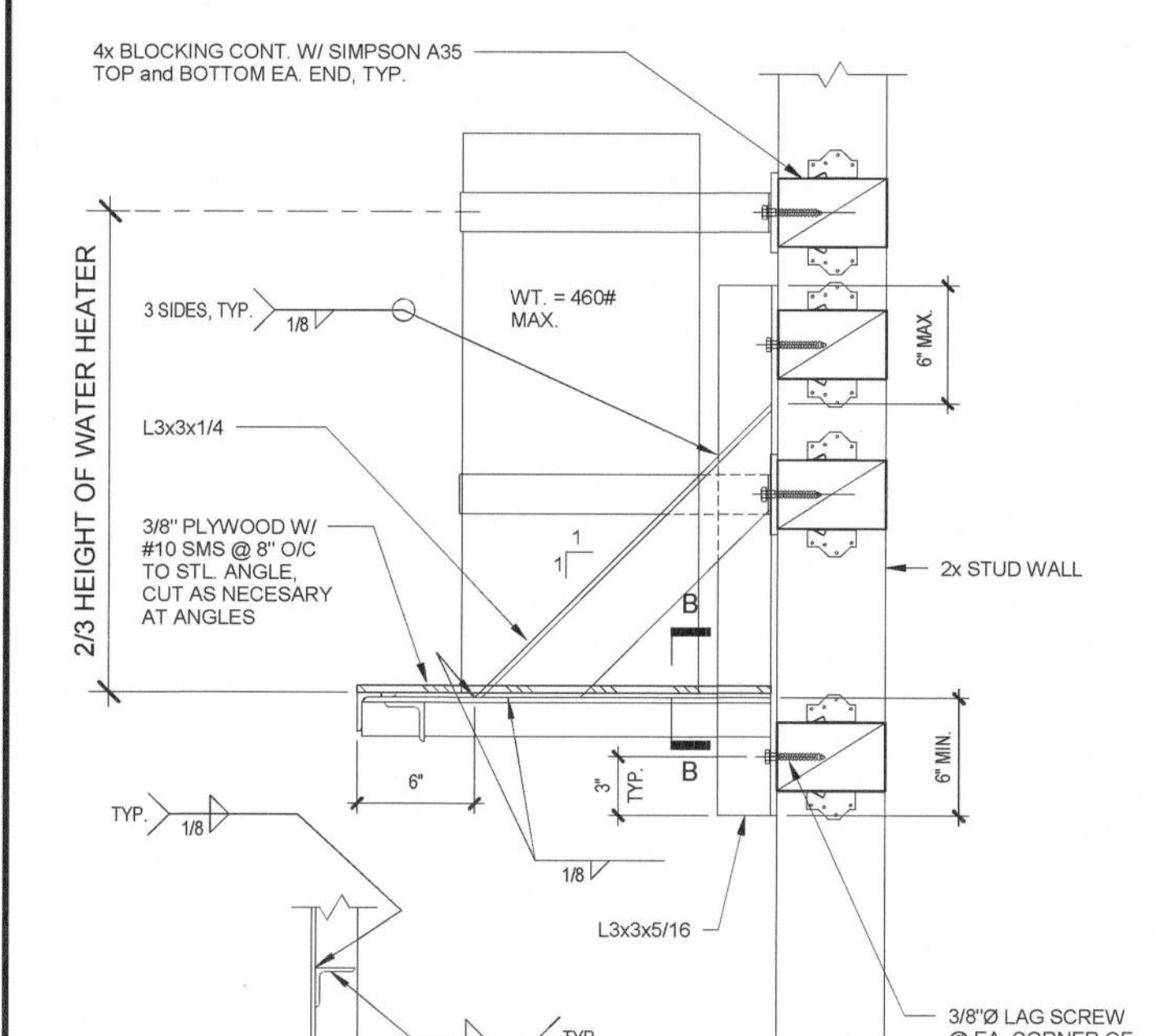
EQUIPMENT	LOCATION (ROOM NO.)	WEIGHT (lbs)	MOUNTING SYSTEM
EF-4	ROOF	46	SEE 4/M7.0
EF-9	ROOF	49	SEE 4/M7.0



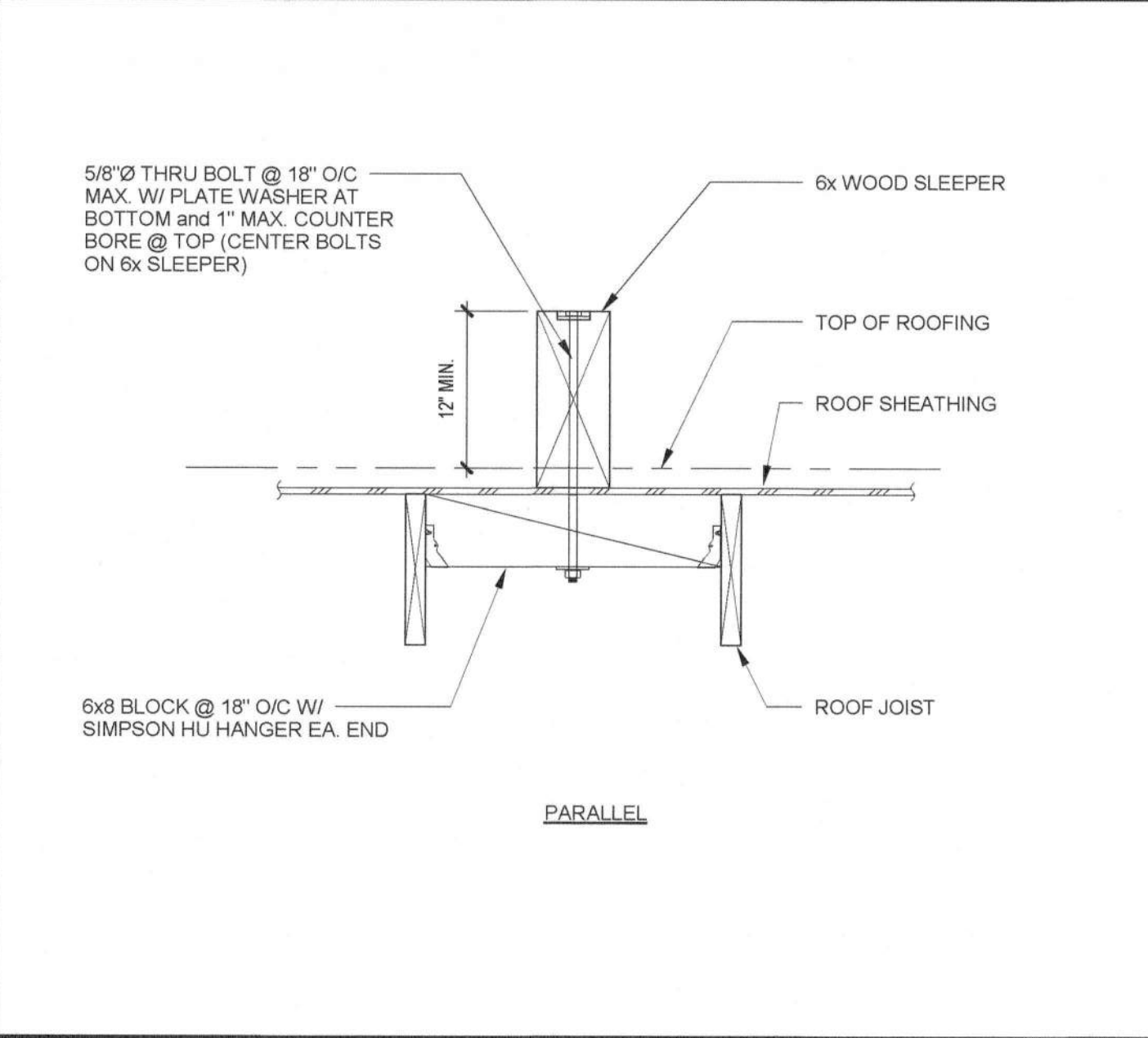
TYP. ROD HANGER AT WOOD FRAMING 7



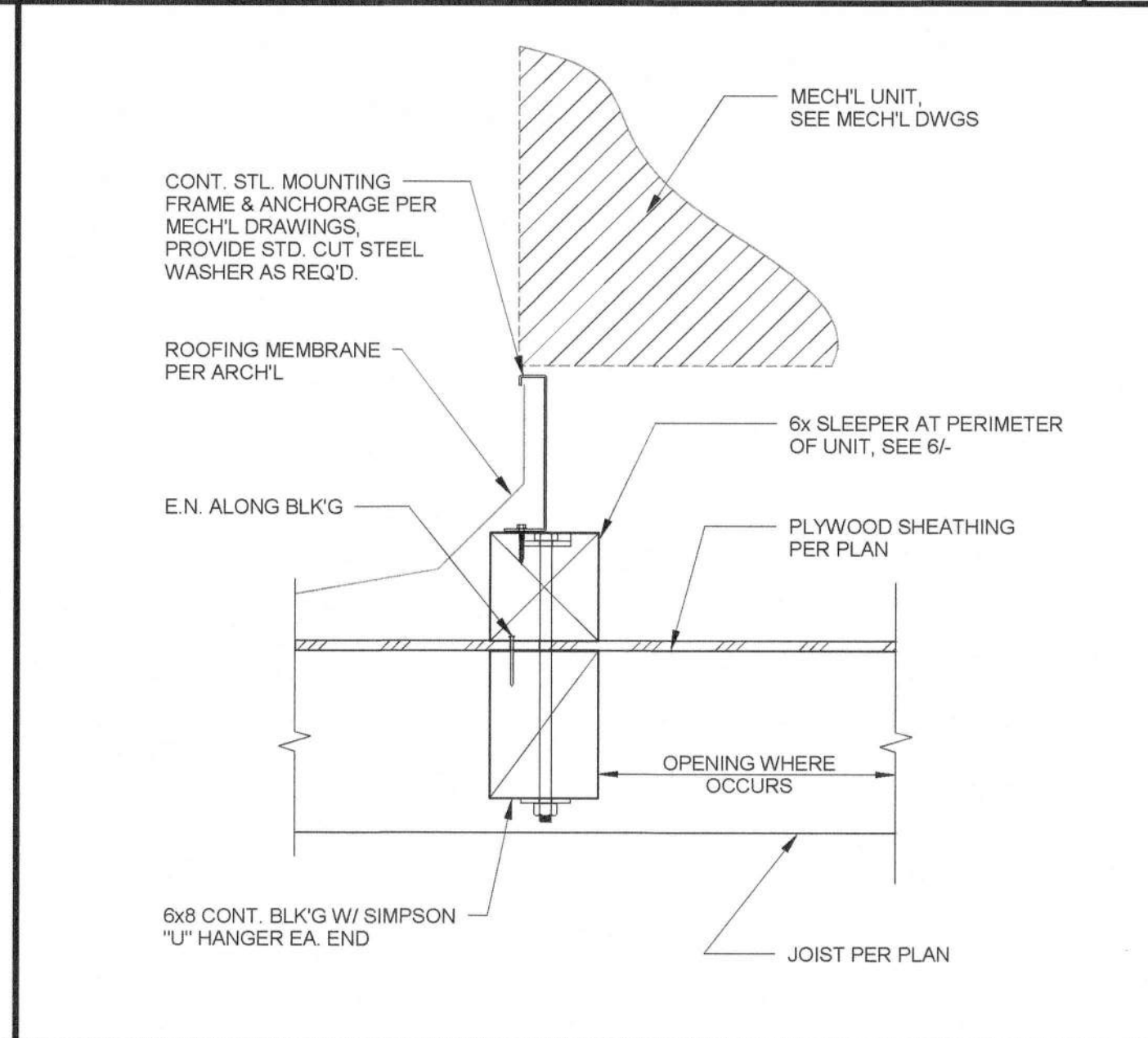
EQUIPMENT SUPPORT PERPENDICULAR TO ROOF JOIST 3



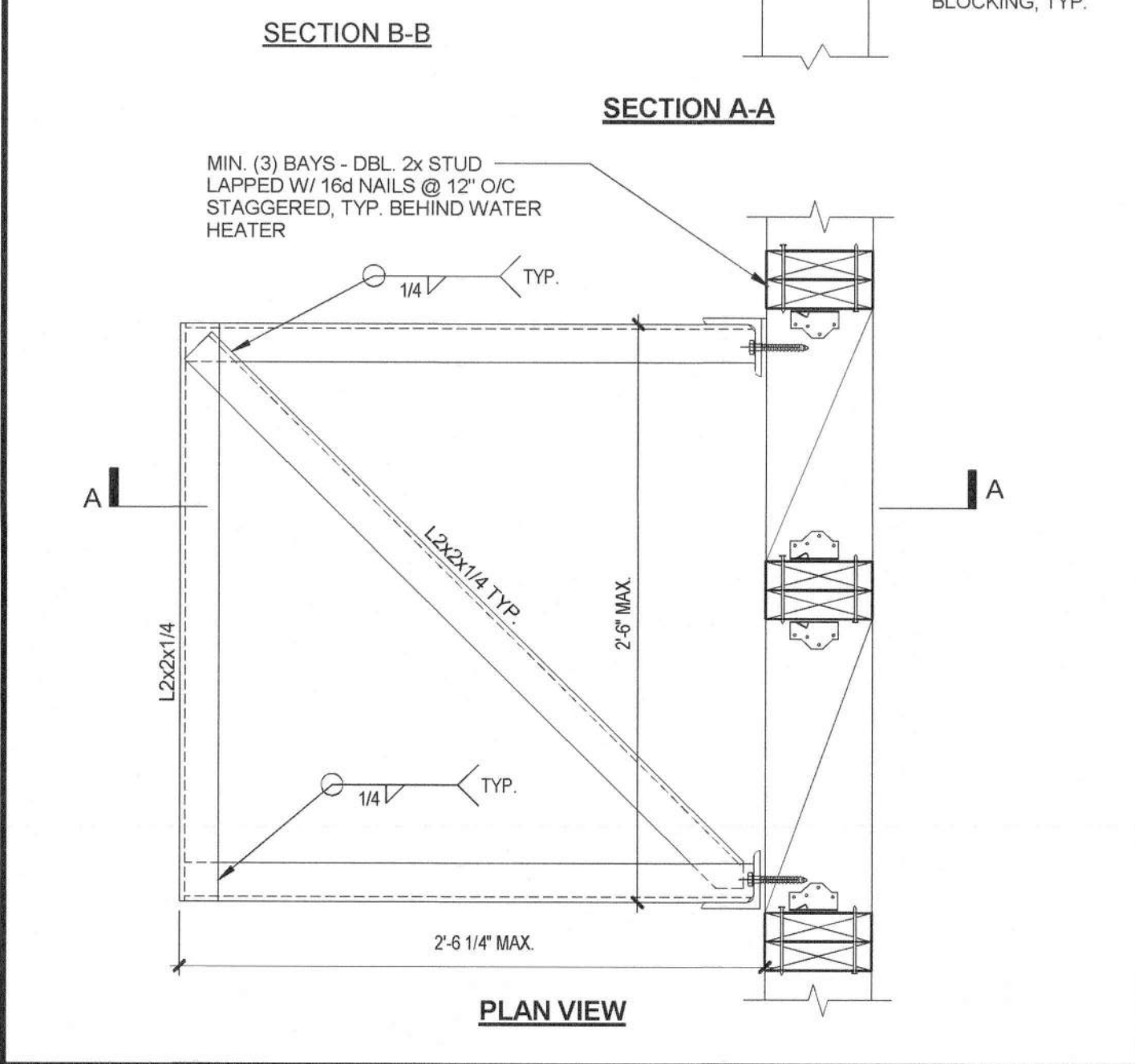
TYPICAL THREADED ROD STIFFENER 10



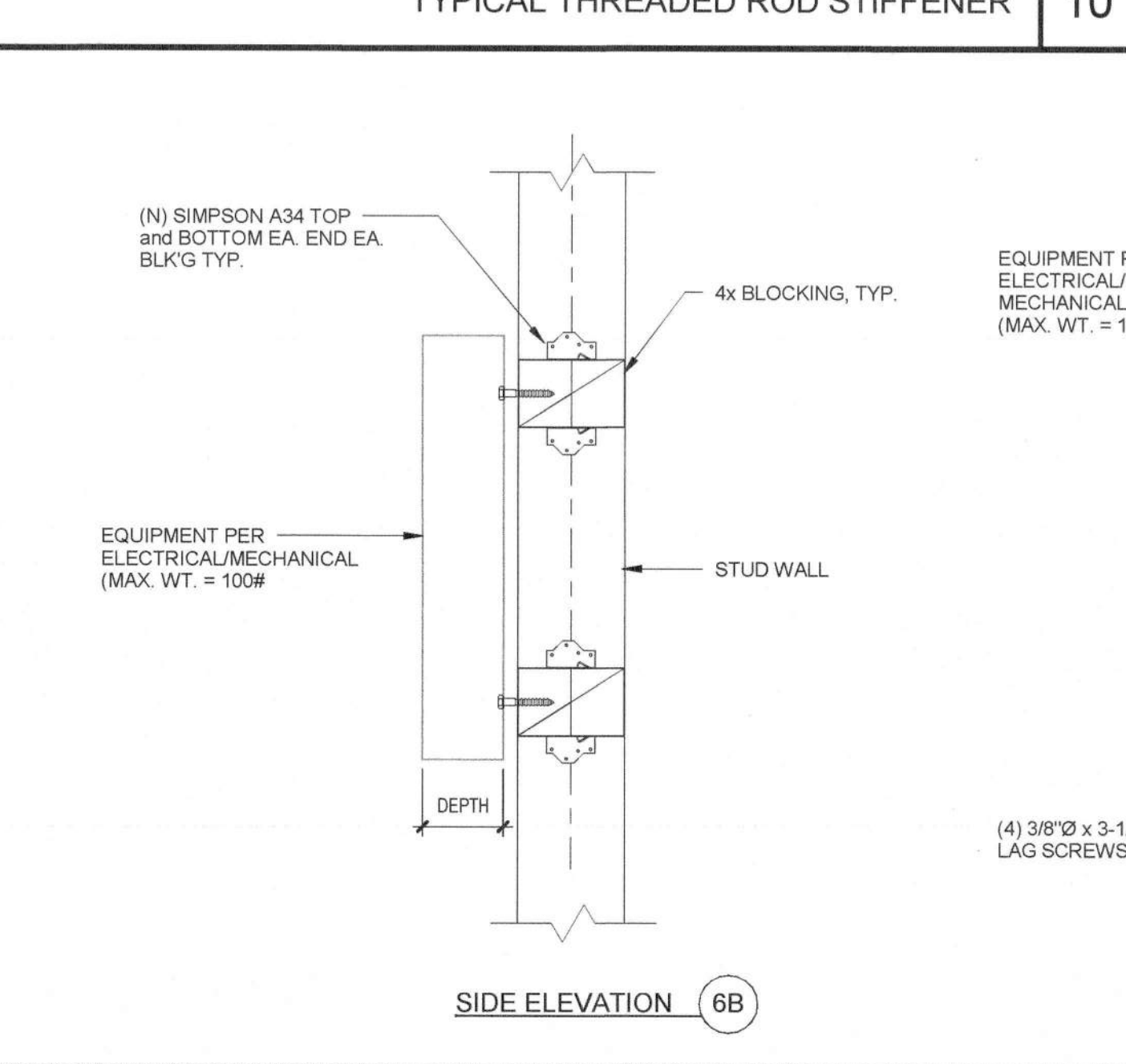
TYPICAL WOOD SLEEPER DETAIL 6



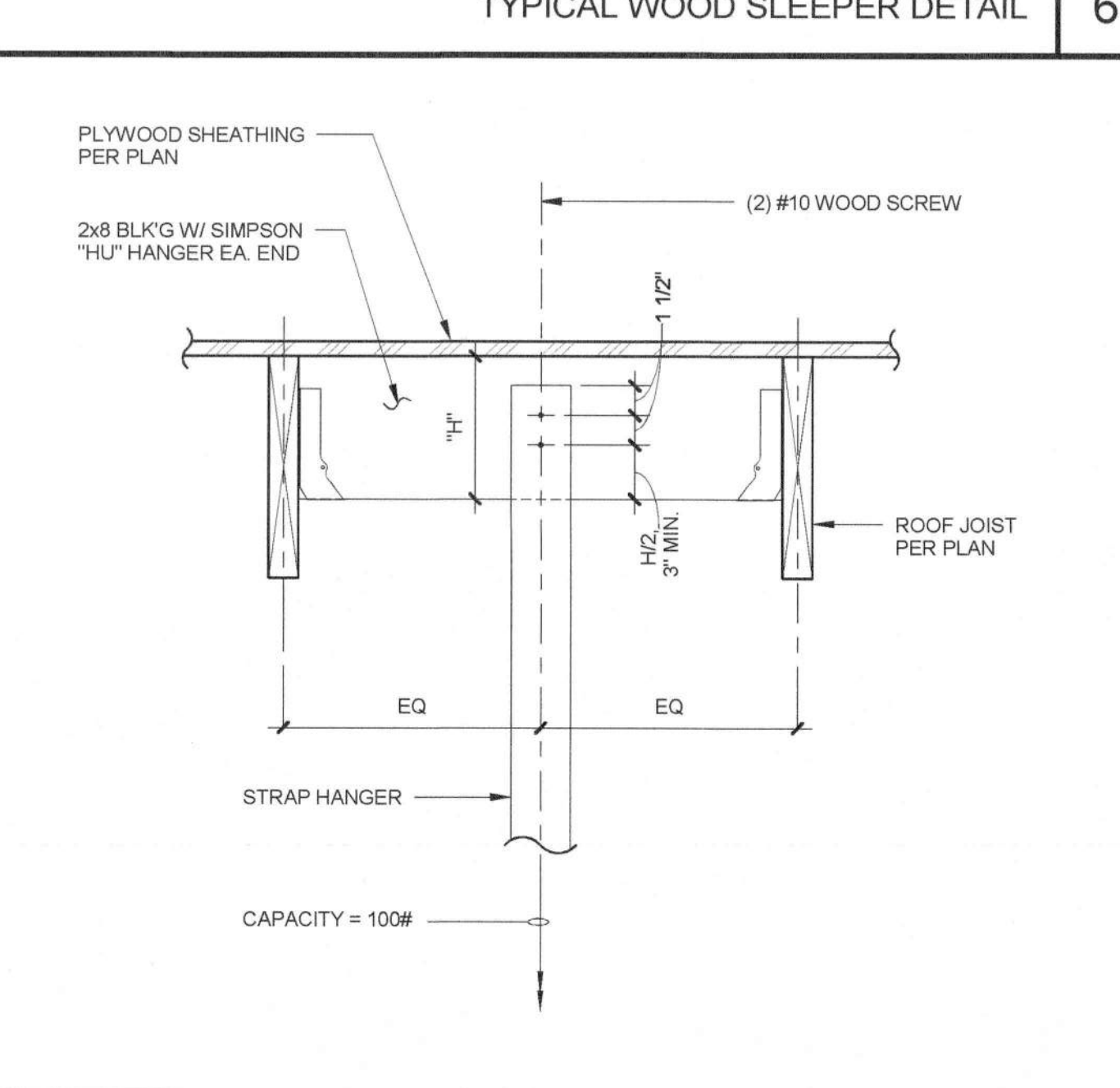
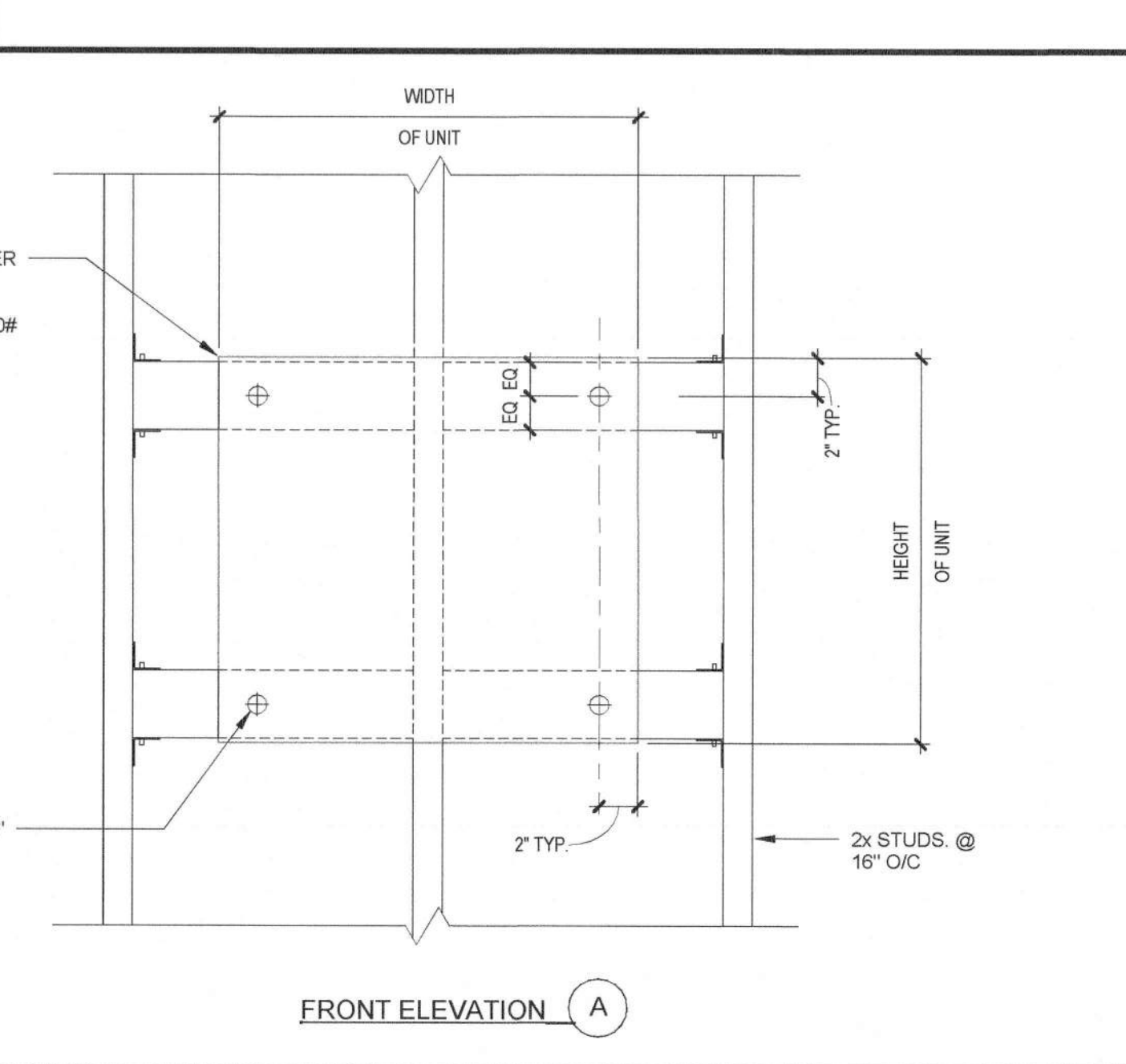
EQUIPMENT SUPPORT PERPENDICULAR TO ROOF JOIST 2



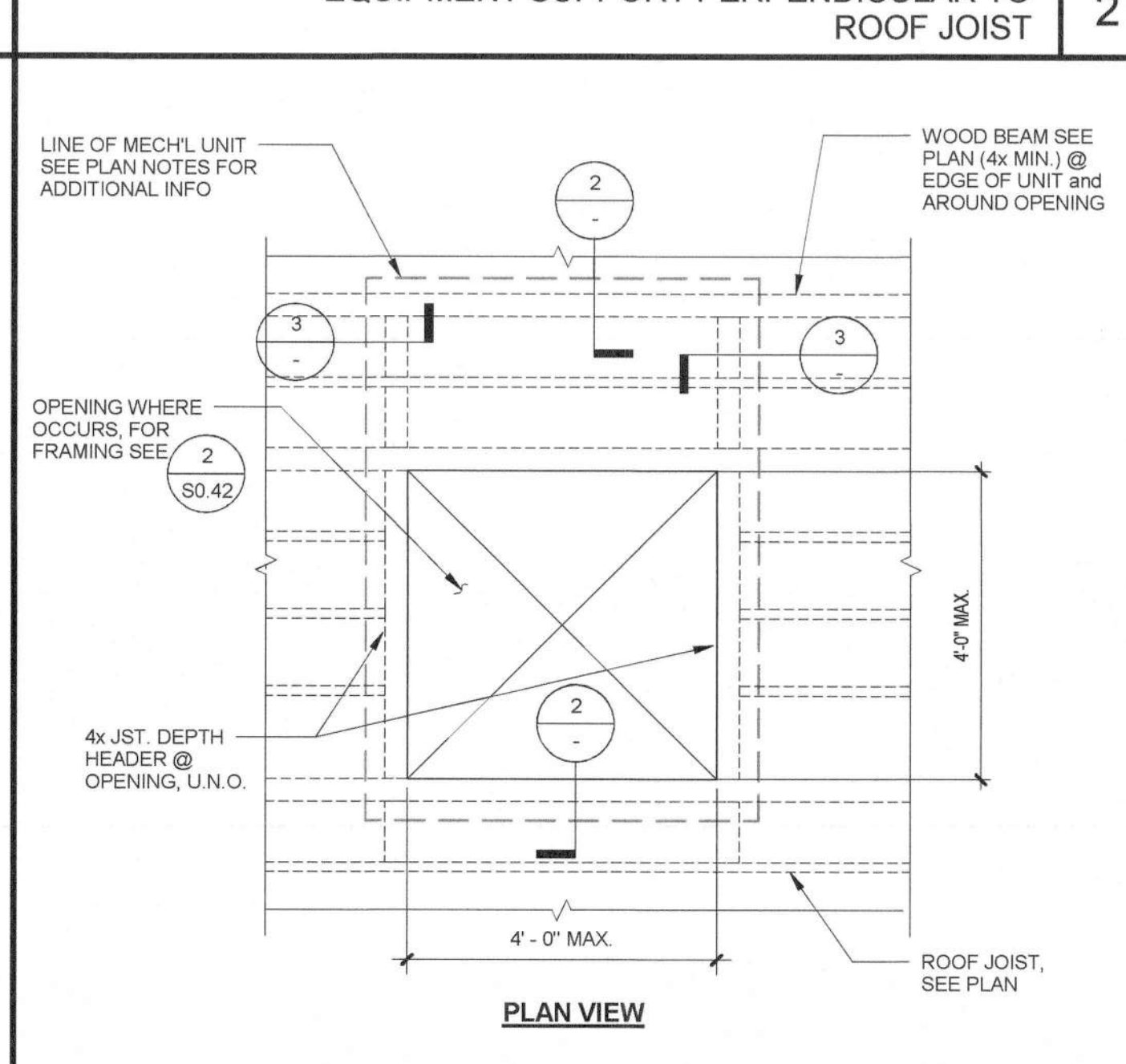
WATER TANK SUPPORT - (MAX. WT. = 460#) 12



WALL MOUNTED EQUIPMENT 9



TYP. STAP HANGER AT WOOD FRAMING 5



TYPICAL ROOF FRAMING AT MECHANICAL UNIT 1



IDENTIFICATION STAMP  
 DIVISION OF THE STATE ARCHITECT  
 OFFICE OF REGULATION SERVICE  
 APPL. #: 01-116180  
 AC: \_\_\_\_\_ FL: \_\_\_\_\_ SS: \_\_\_\_\_  
 DATE: 3.21.17

BUILDING D SCIENCE AND CLASSROOM BUILDINGS, PIEDMONT HILLS HIGH SCHOOL  
 1377 PIEDMONT RD  
 SAN JOSE, CA 95132  
 Developed for EAST SIDE UNION HIGH SCHOOL DISTRICT

This set of drawings is prepared in accordance with the rules and regulations of the State Board of Architectural Examiners and the State Board of Professional Engineers and Surveyors. The user of these drawings is advised that the user assumes all liability for the use of these drawings. No responsibility is assumed by the preparer of these drawings for any errors or omissions in the drawings or for any consequences resulting from the use of these drawings. The user is advised to verify all dimensions and quantities shown on these drawings before construction begins. The user is advised to verify all dimensions and quantities shown on these drawings before construction begins. The user is advised to verify all dimensions and quantities shown on these drawings before construction begins.

Date	Revision
03/18/16	
05/10/16	
05/15/16	
07/27/16	
08/12/16	
03/08/17	

Job No. 1602010  
 Date 08/12/2016  
 Checked by DW  
 Scale As Indicated

TYP. EQUIPMENT ANCHORAGE DETAILS